

Current Transformers



Current Transformers

General Description

Eaton's low voltage current transformers are available in both solid core and split core designs. Engineered for electronic metering applications, all solid core designs and selected split core designs offer ANSI metering quality accuracy. The current transformer offering has a 5A secondary at the rated primary current.

Split core CTs are specifically designed to be installed around primary conductors without disconnecting wires or breaking the circuit to be monitored. These current transformers are perfect solutions for energy management applications and are manufactured for installation ease.

Application Description

For new construction and retrofit applications where no current transformer exists, Eaton offers a complete selection of low voltage (up to 600V) current transformers. These current transformers can be used in commercial grade applications such as control panels and panelboards. Additionally, they can be used for most industrial metering applications in switchboards, switchgear and motor control centers.

Note: Not for use with IQ 35M or IQ MESII.



Powering Business Worldwide

Product Selection

| Solid Core ANSI Metering Accuracy | | | | | |
|-----------------------------------|---|-------------------------------------|----------------|------------------------------------|---------------------------------|
| Primary Current Rating | ANSI B0.1 Metering Class at 60 Hz (Accuracy in %) | Window Size in Inches (mm) Diameter | Catalog Number | Figure Number for Dimensional Data | Mounting Bracket Catalog Number |
| 300 | 0.3 | 1.56 (39.6) | S050-301 | 1 | S050BRAC |
| 400 | | | | | |
| 500 | | | | | |
| 600 | | | | | |
| 750 | | | | | |
| 800 | | | | | |
| 1000 | | | | | |
| 1200 | | | | | |
| 50 | 1.2 | 1.25 (31.8) | S060-500 | 2 | ① |
| 100 | | | | | |
| 150 | | | | | |
| 200 | | | | | |
| 400 | 0.3 | 3.25 (82.6) | S080-401 | 3 | S080BRAC |
| 500 | | | | | |
| 600 | | | | | |
| 750 | | | | | |
| 800 | | | | | |
| 1000 | | | | | |
| 1200 | | | | | |
| 1200 | | | | | |
| 500 | 0.3 | 4.25 (108.0) | S090-501 | 4 | S090BRAC |
| 600 | | | | | |
| 750 | | | | | |
| 800 | | | | | |
| 1000 | | | | | |
| 1200 | | | | | |
| 1500 | | | | | |
| 1600 | | | | | |
| 2000 | | | | | |
| 2500 | | | | | |
| 3000 | | | | | |
| 600 | | | 0.3 | | |
| 750 | | | | | |
| 800 | | | | | |
| 1000 | | | | | |
| 1200 | | | | | |
| 1500 | | | | | |
| 1600 | | | | | |
| 2000 | | | | | |
| 2500 | | | | | |
| 3000 | | | | | |
| 3500 | | | | | |
| 4000 | | | | | |
| 4000 | | | | | |
| 4000 | | | | | |
| 4000 | | | | | |
| 25 | 0.3 | Wound Primary | | W190-025 | 6 |
| 50 | | | | | |

① No mounting bracket required.

Product Selection (cont.)

| Split Core ANSI Metering Accuracy | | | | | |
|-----------------------------------|---|-----------------------------|------------------------------------|-----------------------------|---|
| Primary Current Rating | ANSI B0.1 Metering Class at 60 Hz (Accuracy in %) | Window Size in Inches (mm) | Figure Number for Dimensional Data | Catalog Number | |
| 400 | 2.4 | 2.00 x 5.50 (50.8 x 139.7) | 7 | M000-401 | |
| 500 | | | | | |
| 600 | | | | | |
| 800 | | | | | |
| 1000 | | | | | |
| 1200 | | | | | |
| 1500 | | | | | |
| 1600 | 0.6 | 4.10 x 7.10 (104.1 x 180.3) | 8 | M000-162 | |
| 2000 | | | | | |
| 2000 | | | | | |
| 600 | | | | | |
| 750 | | | | | |
| 800 | | | | | |
| 1000 | | | | | |
| 1200 | | | | | |
| 1500 | | | | | |
| 2000 | | | | | |
| 2500 | | | | | |
| 3000 | 0.6 | | | 4.10 x 7.10 (104.1 x 180.3) | 8 |
| 3500 | | | | | |
| 4000 | | | | | |
| 4000 | | | | | |

| Split Core Current Transformers | | | | | |
|---------------------------------|--------------------------|----------------------------|------------------------------------|----------------|--|
| Primary Current Rating | Accuracy at 60 Hz (in %) | Window Size in Inches (mm) | Figure Number for Dimensional Data | Catalog Number | |
| 100 | 5.0 | 0.80 x 1.95 (20.3 x 49.5) | 9 | M030-101 | |
| 150 | | | | | |
| 200 | | | | | |
| 300 | | | | | |
| 400 | | | | | |
| 100 | 5.0 | 1.42 x 1.53 (36.1 x 38.9) | 10 | M040-101 | |
| 150 | | | | | |
| 200 | | | | | |
| 300 | | | | | |
| 400 | | | | | |
| 200 | 1.0 | 2.75 x 2.70 (69.9 x 68.6) | 11 | M060-201 | |
| 300 | | | | | |
| 400 | | | | | |
| 500 | | | | | |
| 600 | | | | | |
| 750 | | | | | |
| 800 | | | | | |
| 1000 | | | | | |
| 1200 | 1.0 | 2.60 x 6.25 (66.0 x 158.8) | 12 | M060-122 | |
| 500 | | | | | |
| 600 | | | | | |
| 800 | | | | | |
| 1000 | | | | | |
| 1200 | | | | | |
| 1500 | | | | | |
| 1600 | | | | | |
| 2000 | | | | | |
| 2500 | | | | | |
| 3000 | 1.0 | 2.60 x 6.25 (66.0 x 158.8) | 12 | M080-252 | |
| 500 | | | | | |
| 600 | | | | | |
| 800 | | | | | |
| 1000 | | | | | |
| 1200 | | | | | |

Dimensions in Inches (mm)

Figure 1. S050—Approximate Dimensions

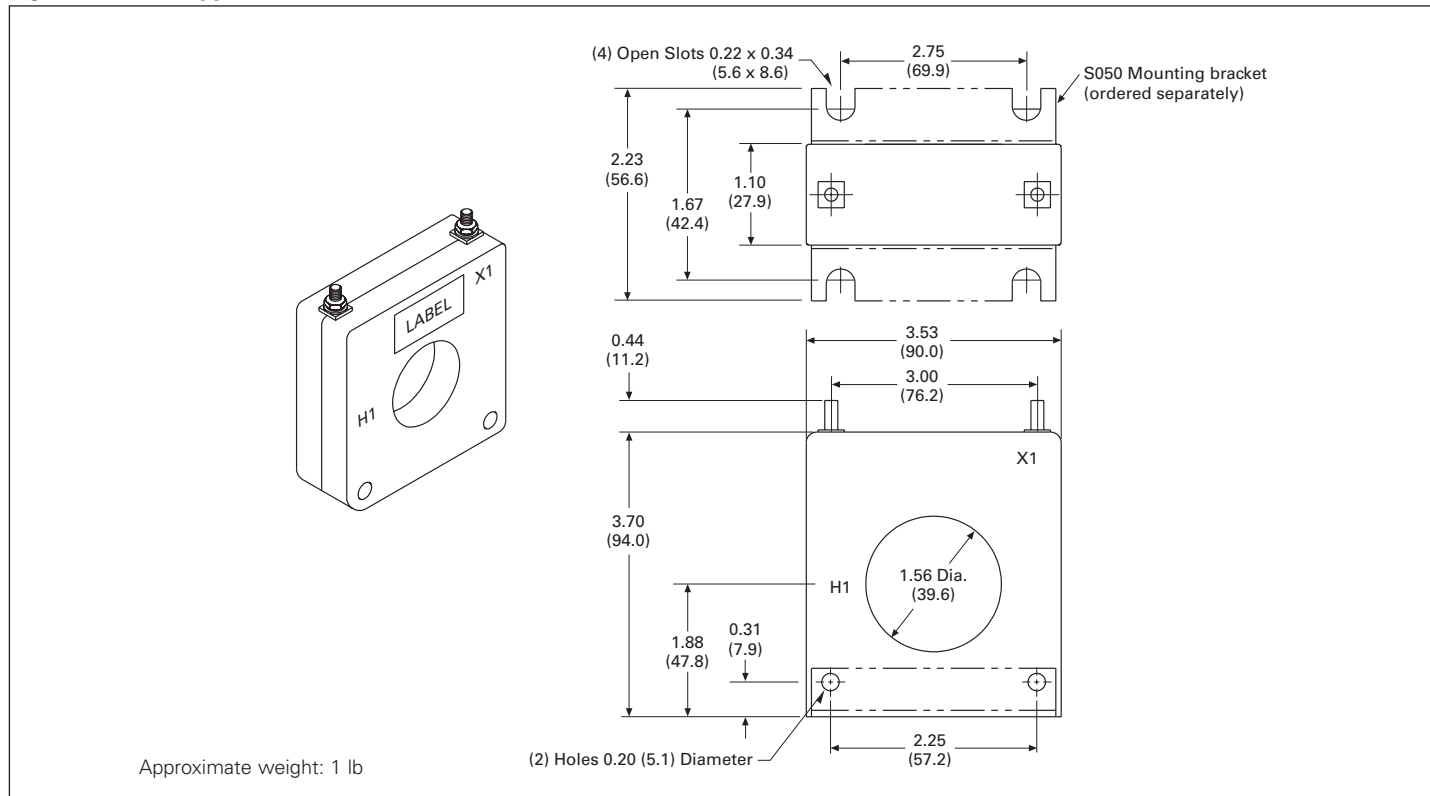
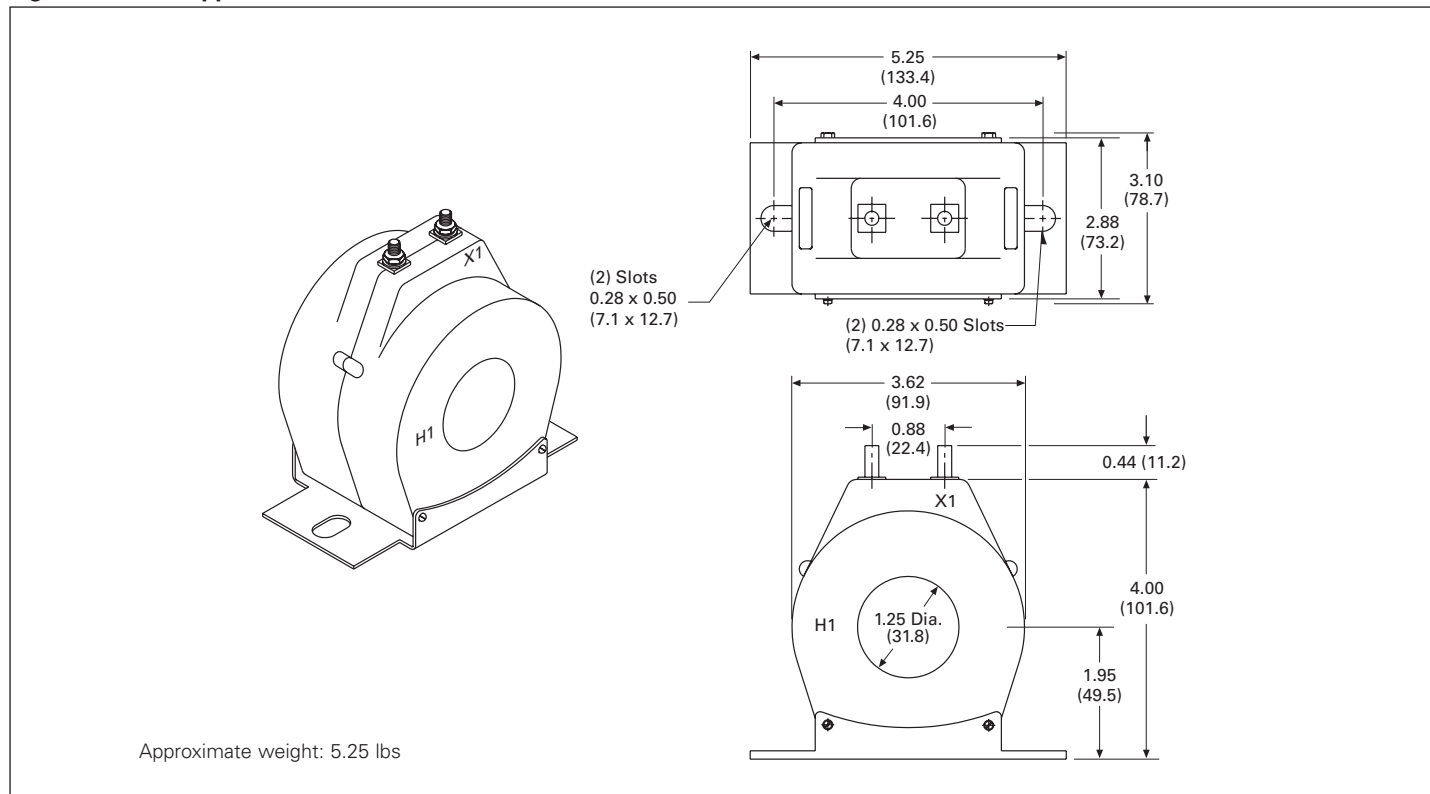


Figure 2. S060—Approximate Dimensions



Dimensions in Inches (mm) (cont.)

Figure 3. S080—Approximate Dimensions

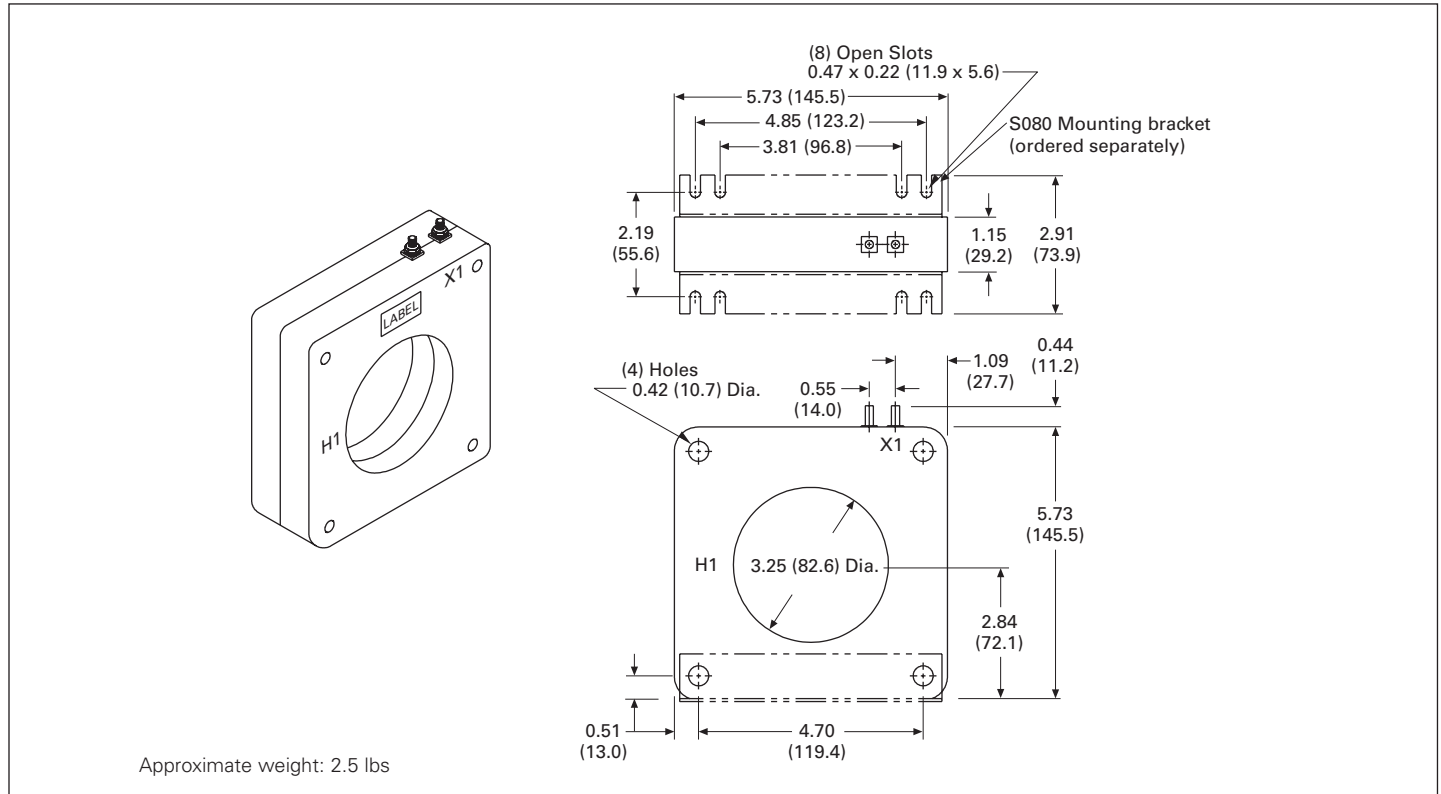
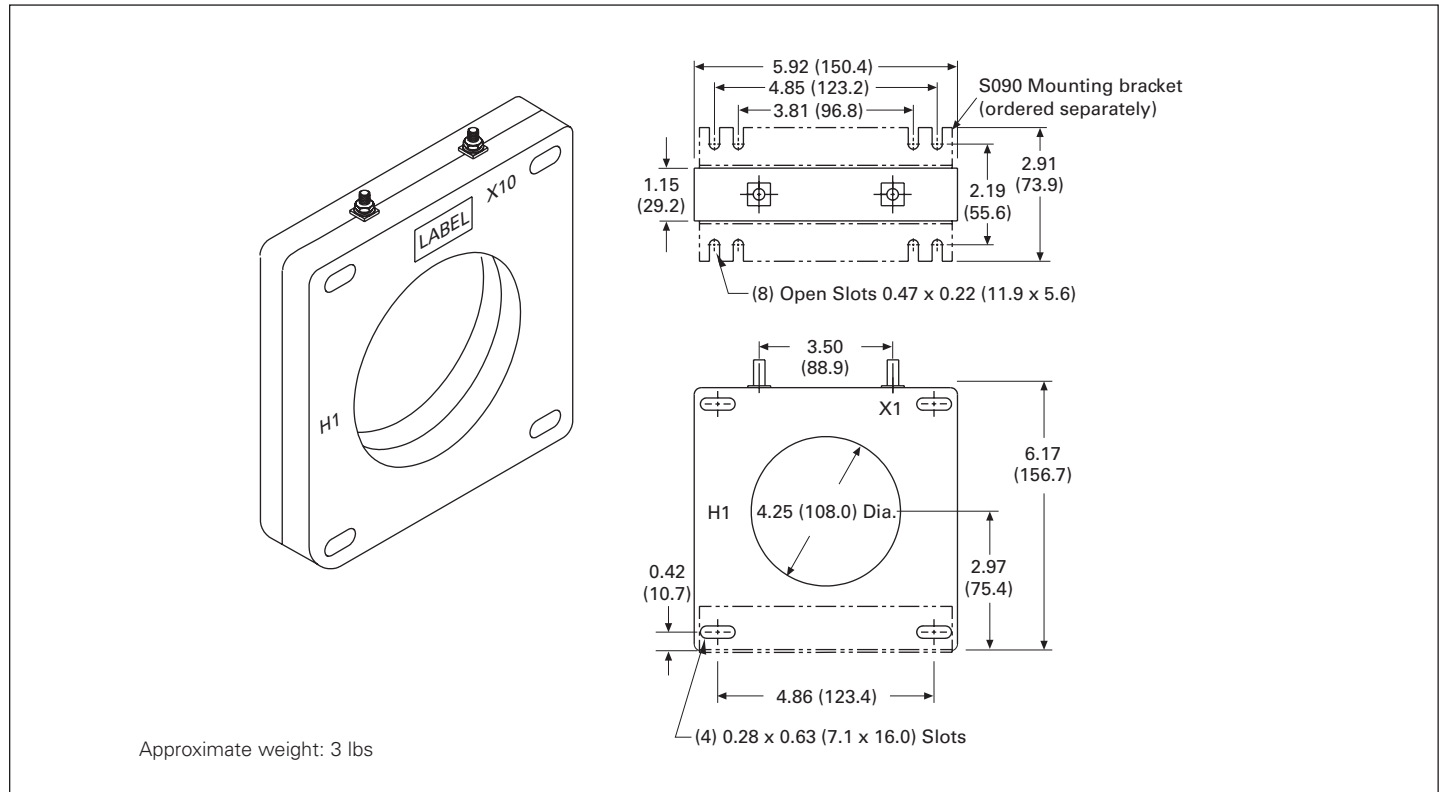


Figure 4. S090—Approximate Dimensions



Dimensions in Inches (mm) (cont.)

Figure 5. S025—Approximate Dimensions

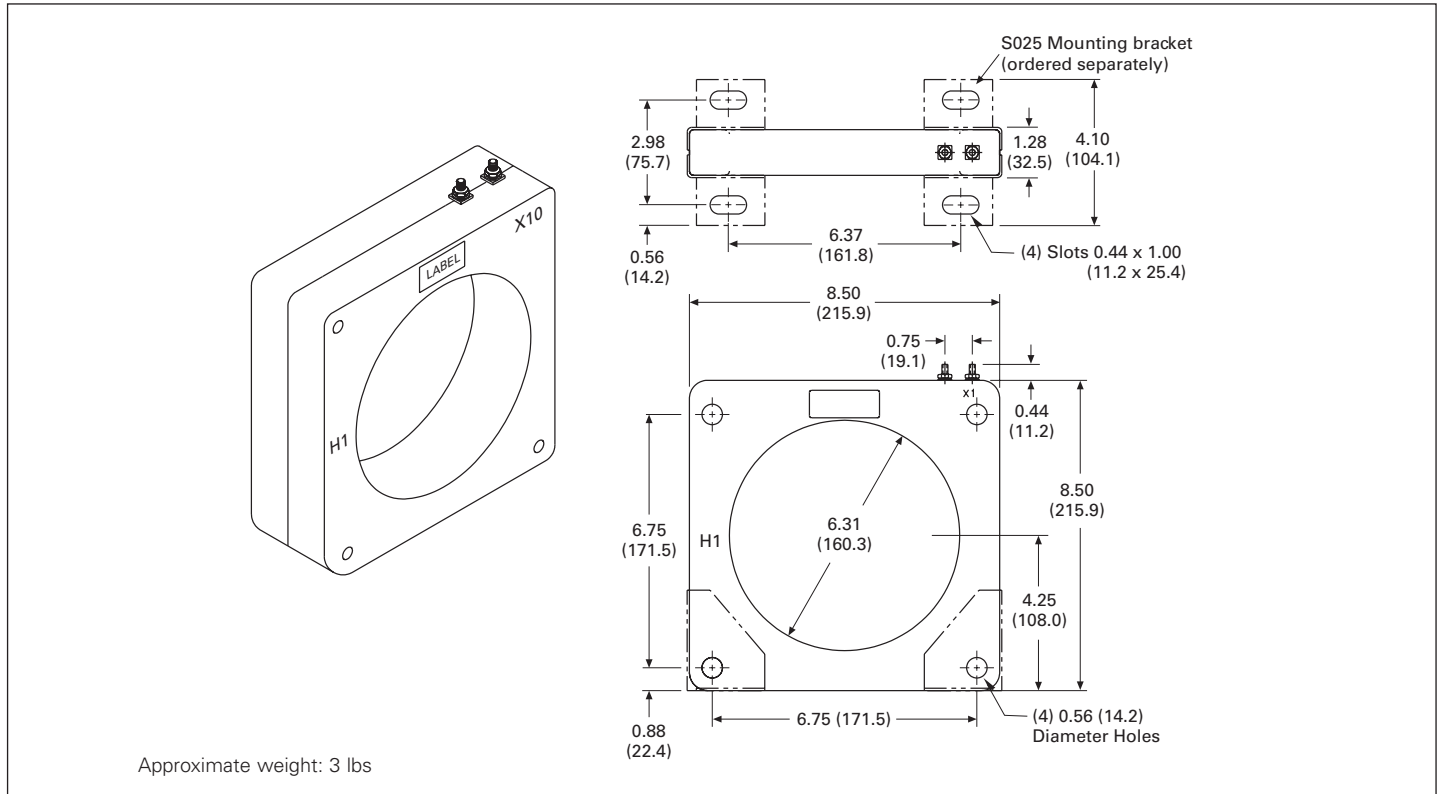
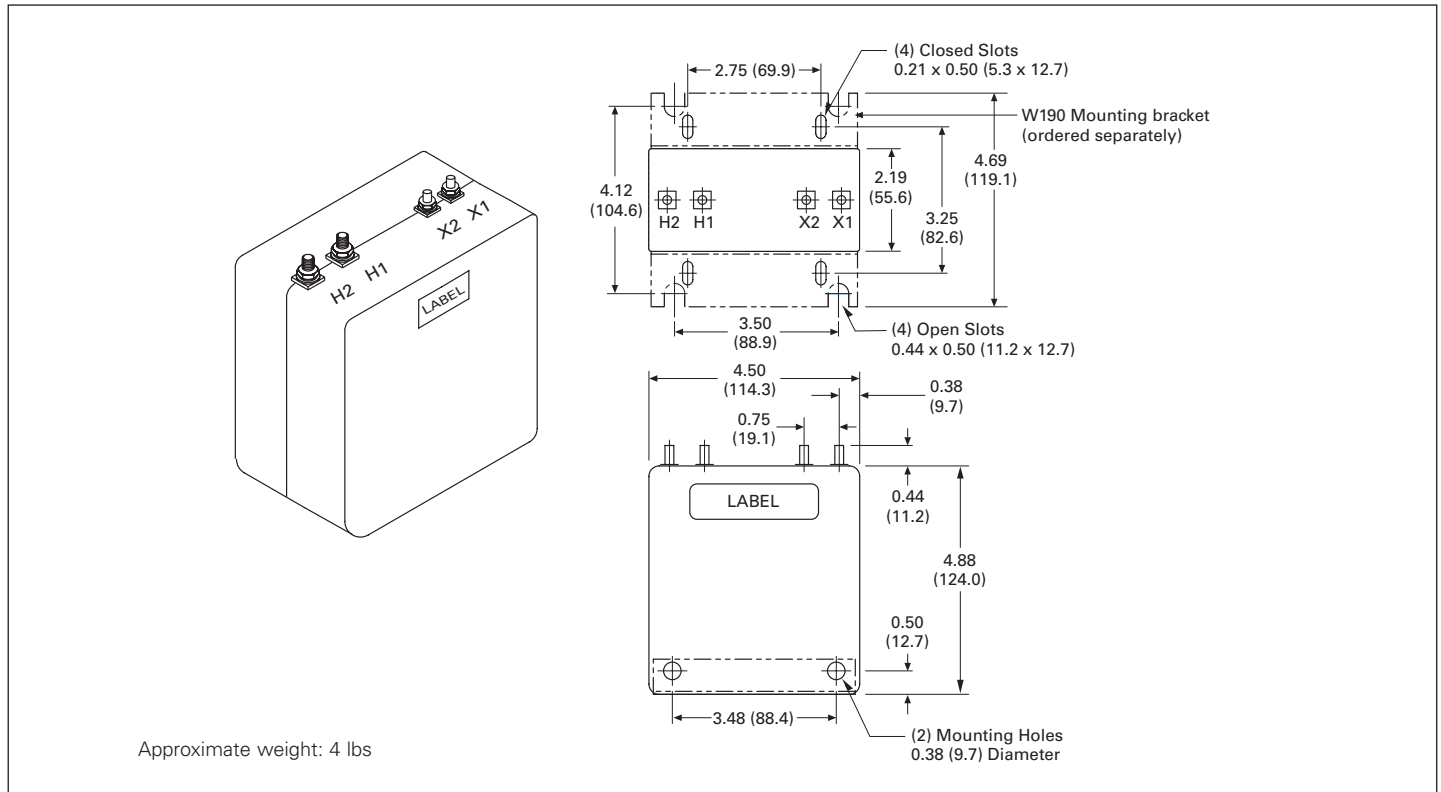


Figure 6. W190—Approximate Dimensions



Dimensions in Inches (mm) (cont.)

Figure 7. M000—Approximate Dimensions

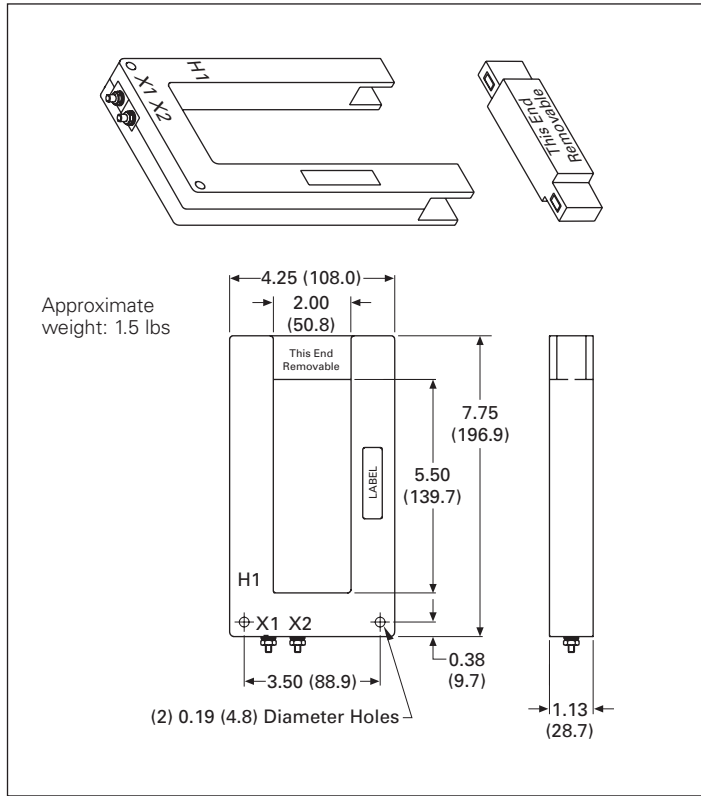


Figure 8. M050—Approximate Dimensions

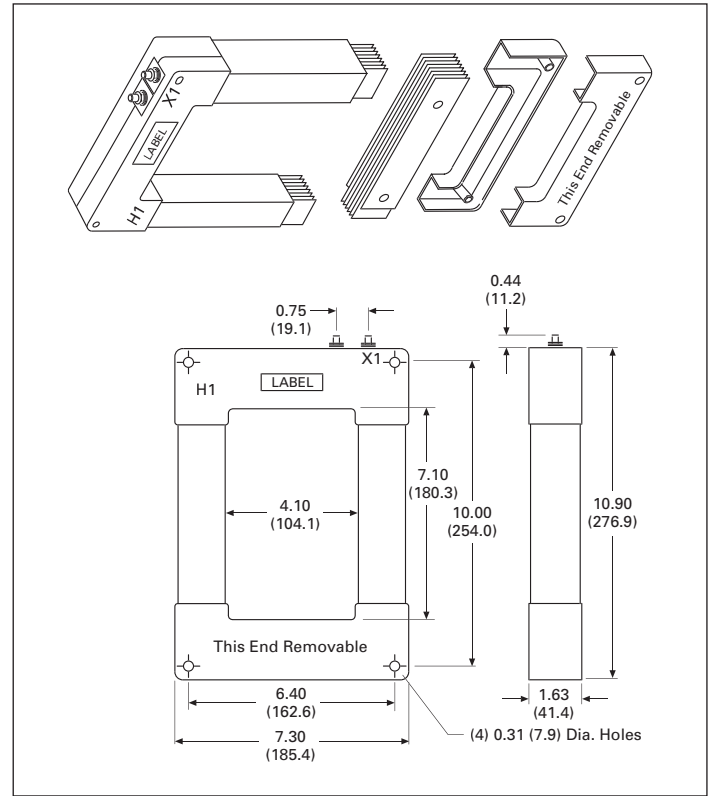
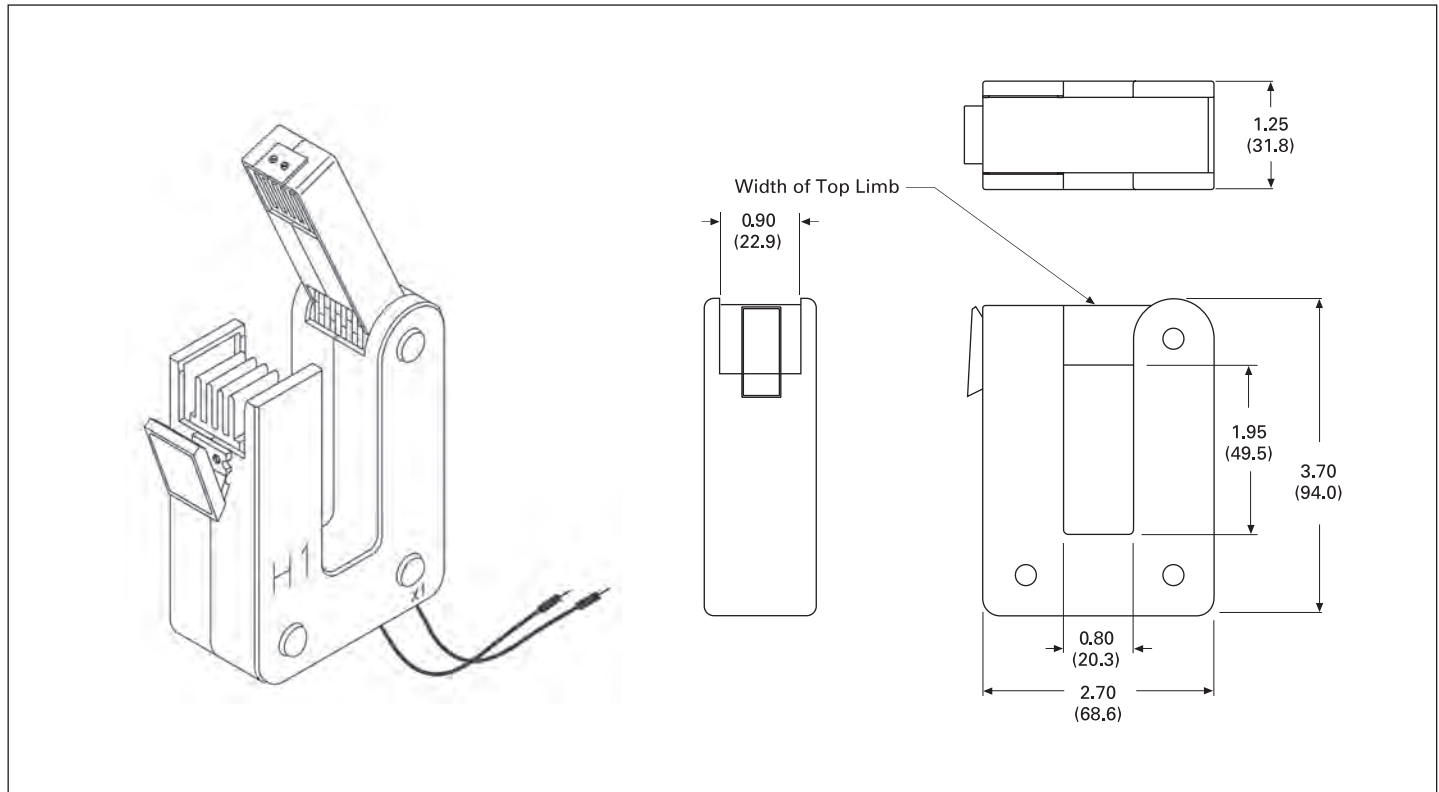


Figure 9. M030—Approximate Dimensions



Dimensions in Inches (mm) (cont.)

Figure 10. M040—Approximate Dimensions

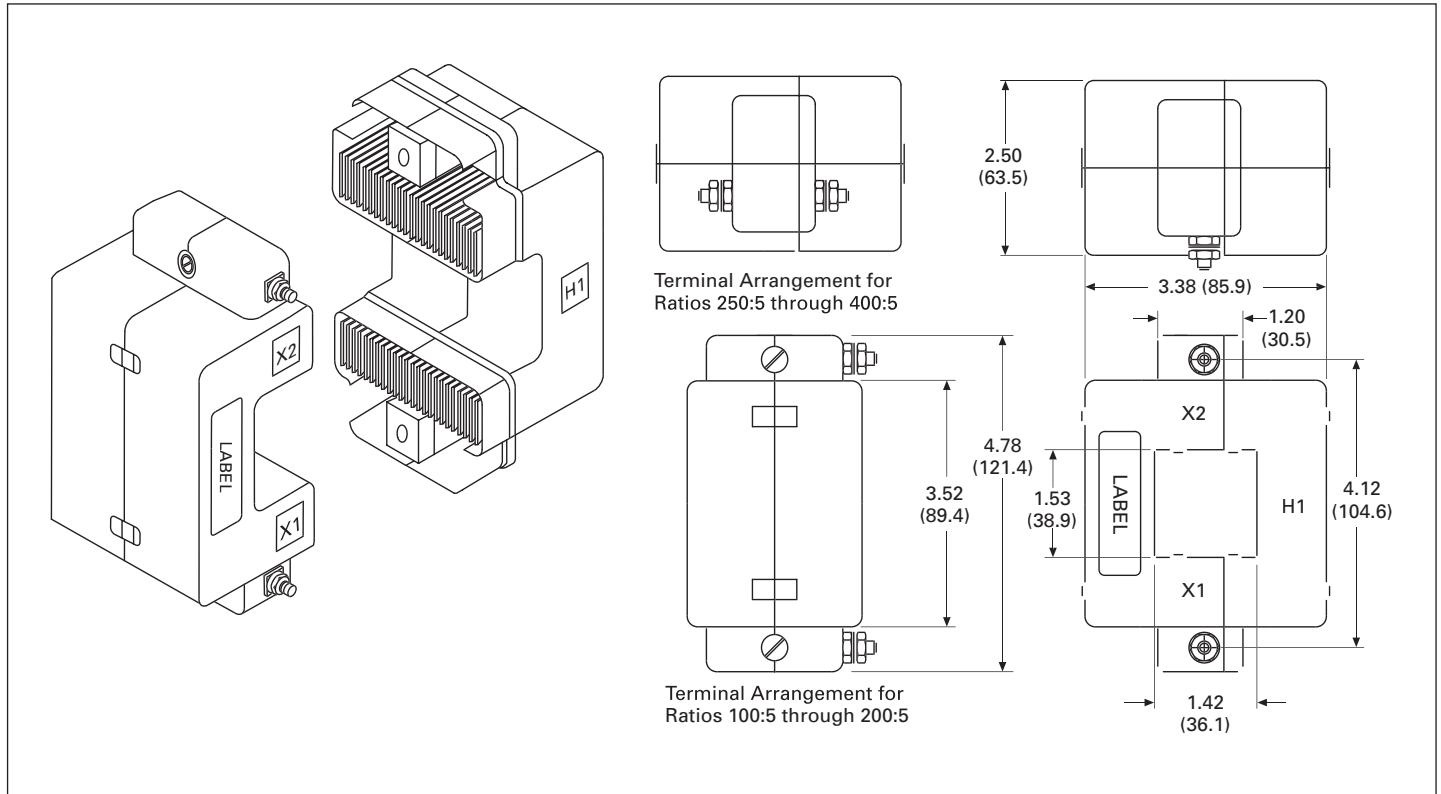


Figure 11. M060—Approximate Dimensions

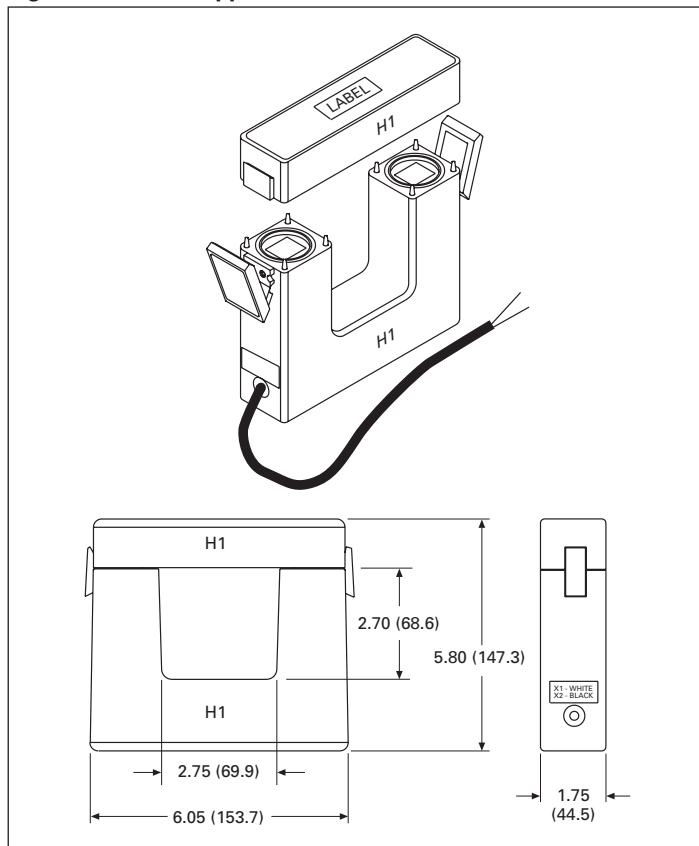
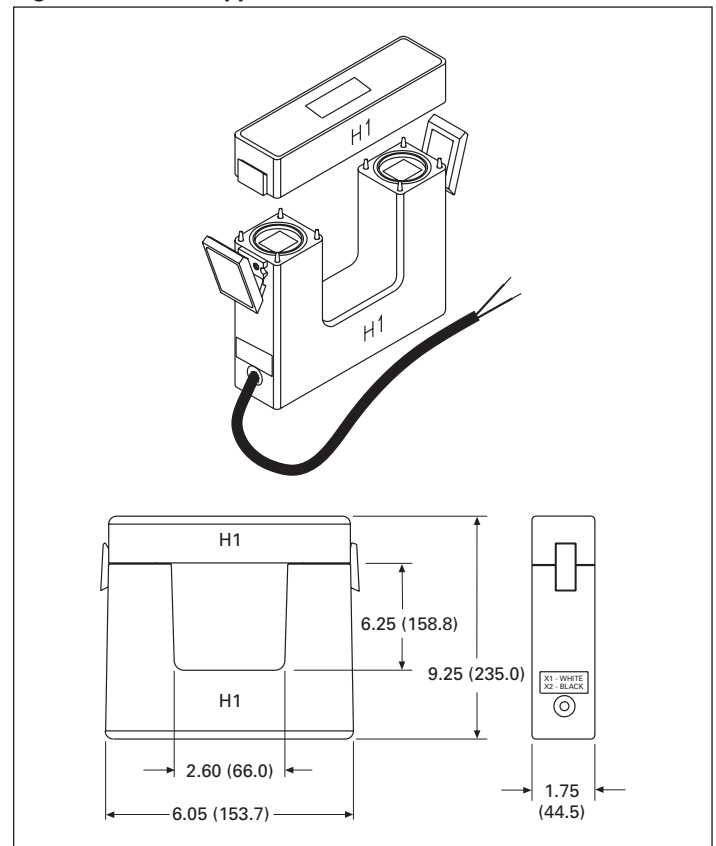


Figure 12. M080—Approximate Dimensions



Eaton Corporation

Electrical Sector
1000 Cherrington Parkway
Moon Township, PA 15108
United States
877-ETN-CARE (877-386-2273)
Eaton.com/meters

© 2012 Eaton Corporation
All Rights Reserved
Printed in USA
Publication No. TD02601002E / TN
March 2012



Eaton is a registered trademark of
Eaton Corporation.

All other trademarks are property of their
respective owners.