

Current Transformers



Current Transformers

General Description

Eaton's low voltage current transformers are available in both solid core and split core designs. Engineered for electronic metering applications, all solid core designs and selected split core designs offer ANSI metering quality accuracy. The current transformer offering has a 5A secondary at the rated primary current.

Split core CTs are specifically designed to be installed around primary conductors without disconnecting wires or breaking the circuit to be monitored. These current transformers are perfect solutions for energy management applications and are manufactured for installation ease.

Application Description

For new construction and retrofit applications where no current transformer exists, Eaton offers a complete selection of low voltage (up to 600V) current transformers. These current transformers can be used in commercial grade applications such as control panels and panelboards. Additionally, they can be used for most industrial metering applications in switchboards, switchgear and motor control centers.

Note: Not for use with IQ 35M or IQ MESII.



Powering Business Worldwide

Product Selection

Solid Core ANSI Metering Accuracy					
Primary Current Rating	ANSI B0.1 Metering Class at 60 Hz (Accuracy in %)	Window Size in Inches (mm) Diameter	Catalog Number	Figure Number for Dimensional Data	Mounting Bracket Catalog Number
300	0.3	1.56 (39.6)	S050-301	1	S050BRAC
400					
500					
600					
750					
800					
1000					
1200					
50	1.2	1.25 (31.8)	S060-500	2	①
100					
150					
200					
400	0.3	3.25 (82.6)	S080-401	3	S080BRAC
500					
600					
750					
800					
1000					
1200					
1200					
500	0.3	4.25 (108.0)	S090-501	4	S090BRAC
600					
750					
800					
1000					
1200					
1500					
1600					
2000					
2500					
3000					
600			0.3		
750					
800					
1000					
1200					
1500					
1600					
2000					
2500					
3000					
3500					
4000					
4000					
4000					
4000					
25	0.3	Wound Primary		W190-025	6
50					

① No mounting bracket required.

Product Selection (cont.)

Split Core ANSI Metering Accuracy				
Primary Current Rating	ANSI B0.1 Metering Class at 60 Hz (Accuracy in %)	Window Size in Inches (mm)	Figure Number for Dimensional Data	Catalog Number
400	2.4	2.00 x 5.50 (50.8 x 139.7)	7	M000-401
500				
600				
800				
1000				
1200				
1500				
1600	0.6	4.10 x 7.10 (104.1 x 180.3)	8	M000-162
2000				
600				
750				
800				
1000				
1200				
1500				
2000				
2500				
3000				
3500	0.6			4.10 x 7.10 (104.1 x 180.3)
4000				
4000	0.3	4.10 x 7.10 (104.1 x 180.3)	8	M050-402
4000				

Split Core Current Transformers				
Primary Current Rating	Accuracy at 60 Hz (in %)	Window Size in Inches (mm)	Figure Number for Dimensional Data	Catalog Number
100	5.0	0.80 x 1.95 (20.3 x 49.5)	9	M030-101
150				
200				
300				
400				
100	5.0	1.42 x 1.53 (36.1 x 38.9)	10	M040-101
150				
200				
300				
400				
200	1.0	2.75 x 2.70 (69.9 x 68.6)	11	M060-201
300				
400				
500				
600				
750				
800				
1000				
1200				
1200				
500	1.0	2.60 x 6.25 (66.0 x 158.8)	12	M080-501
600				
800				
1000				
1200				
1500				
1600				
2000				
2500				
3000				

Dimensions in Inches (mm)

Figure 1. S050—Approximate Dimensions

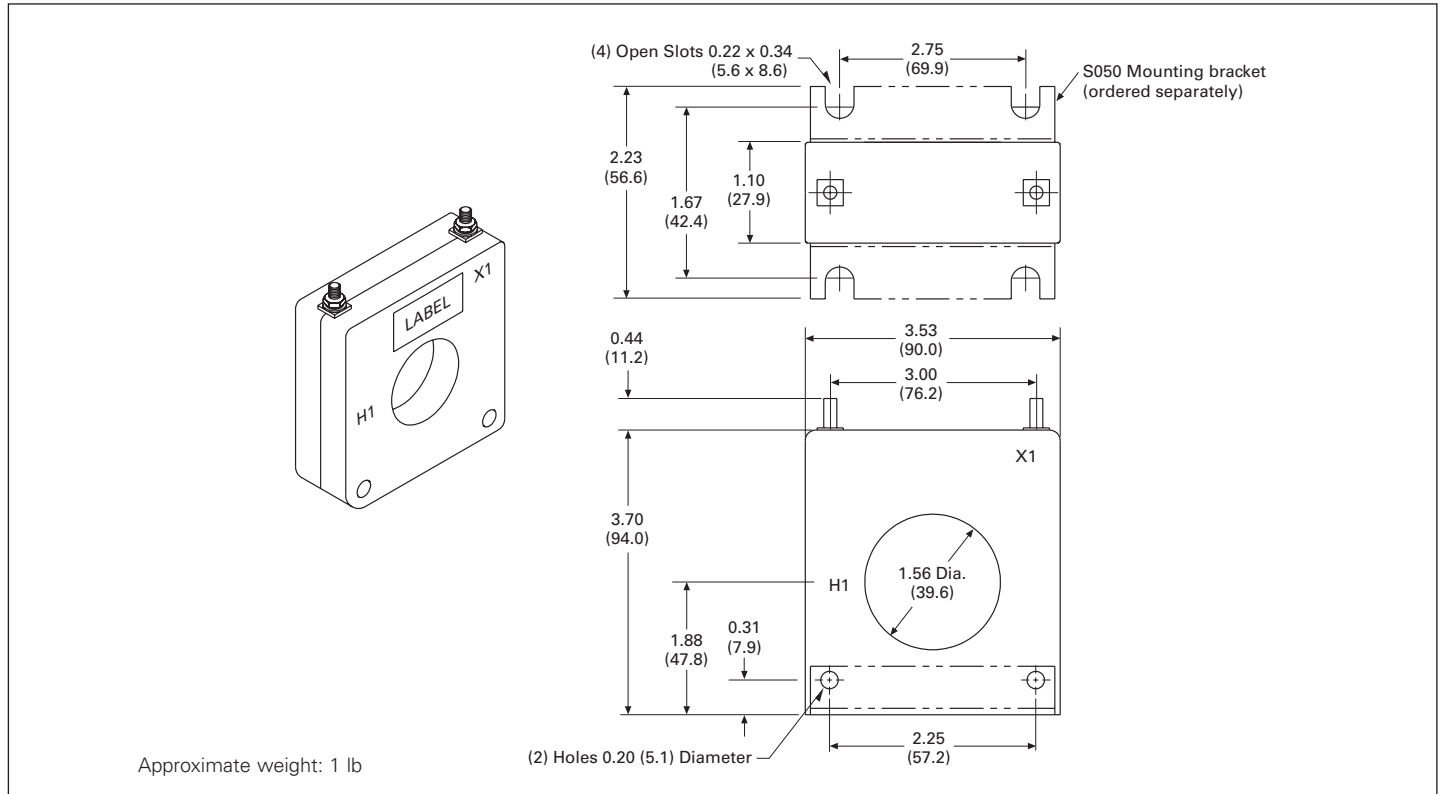
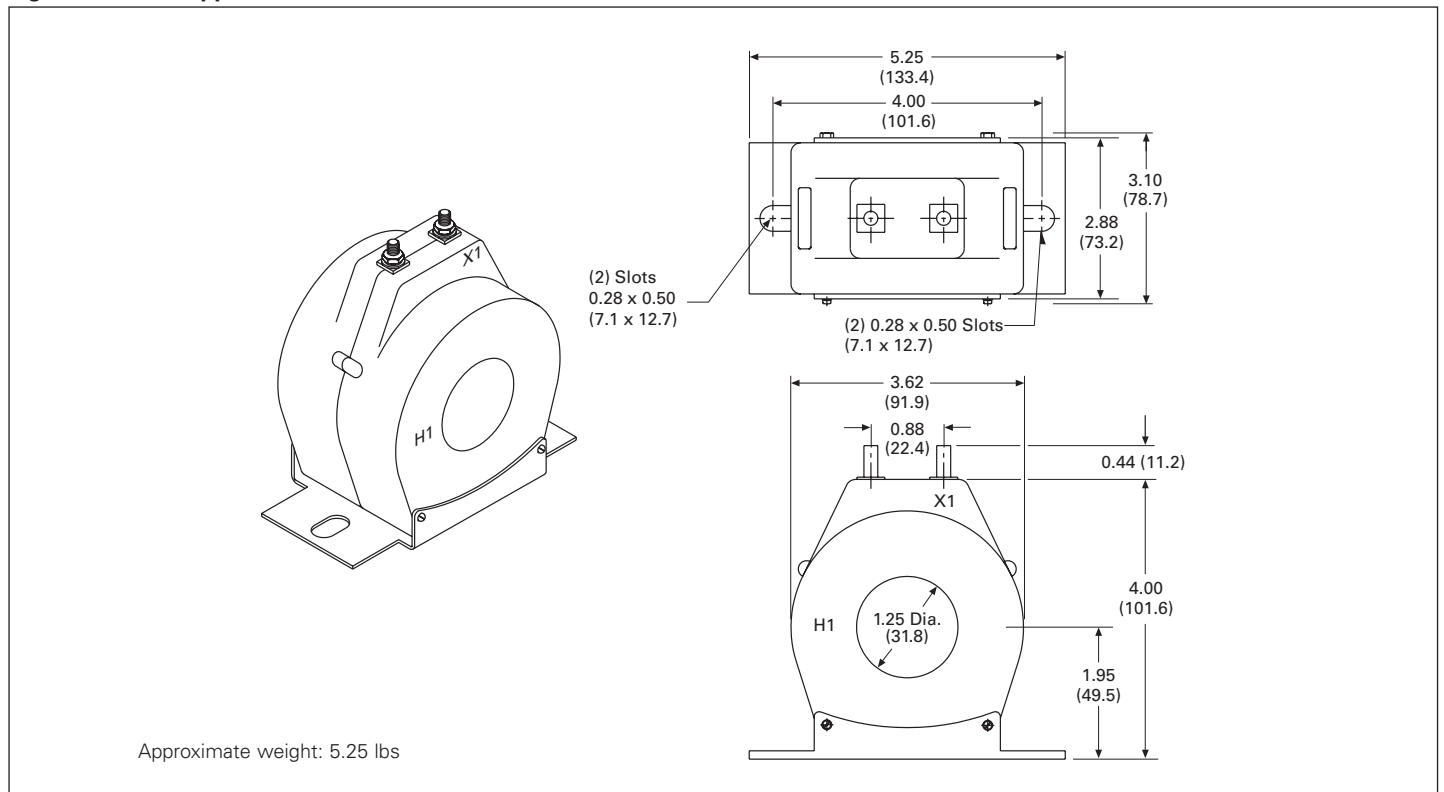


Figure 2. S060—Approximate Dimensions



Dimensions in Inches (mm) (cont.)

Figure 3. S080—Approximate Dimensions

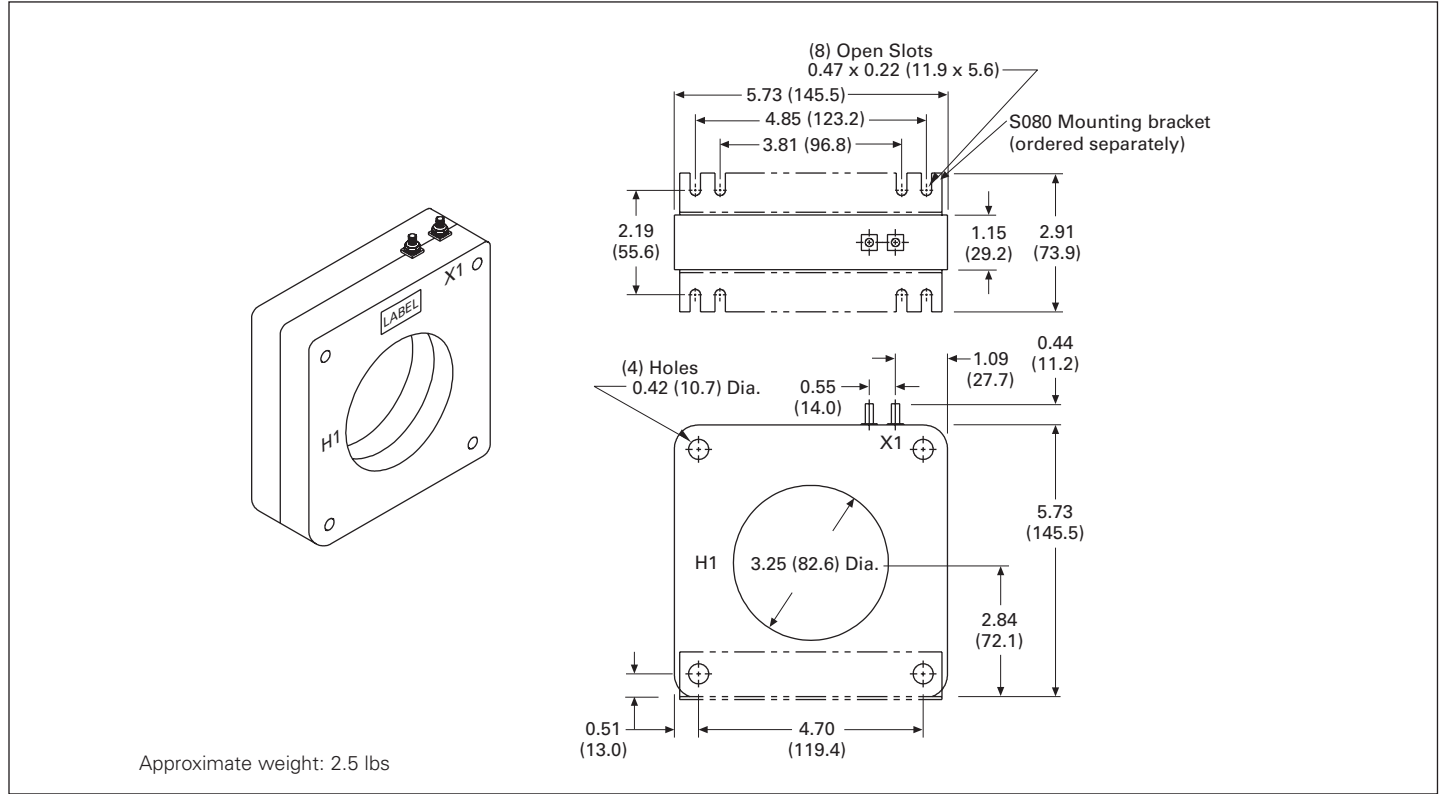
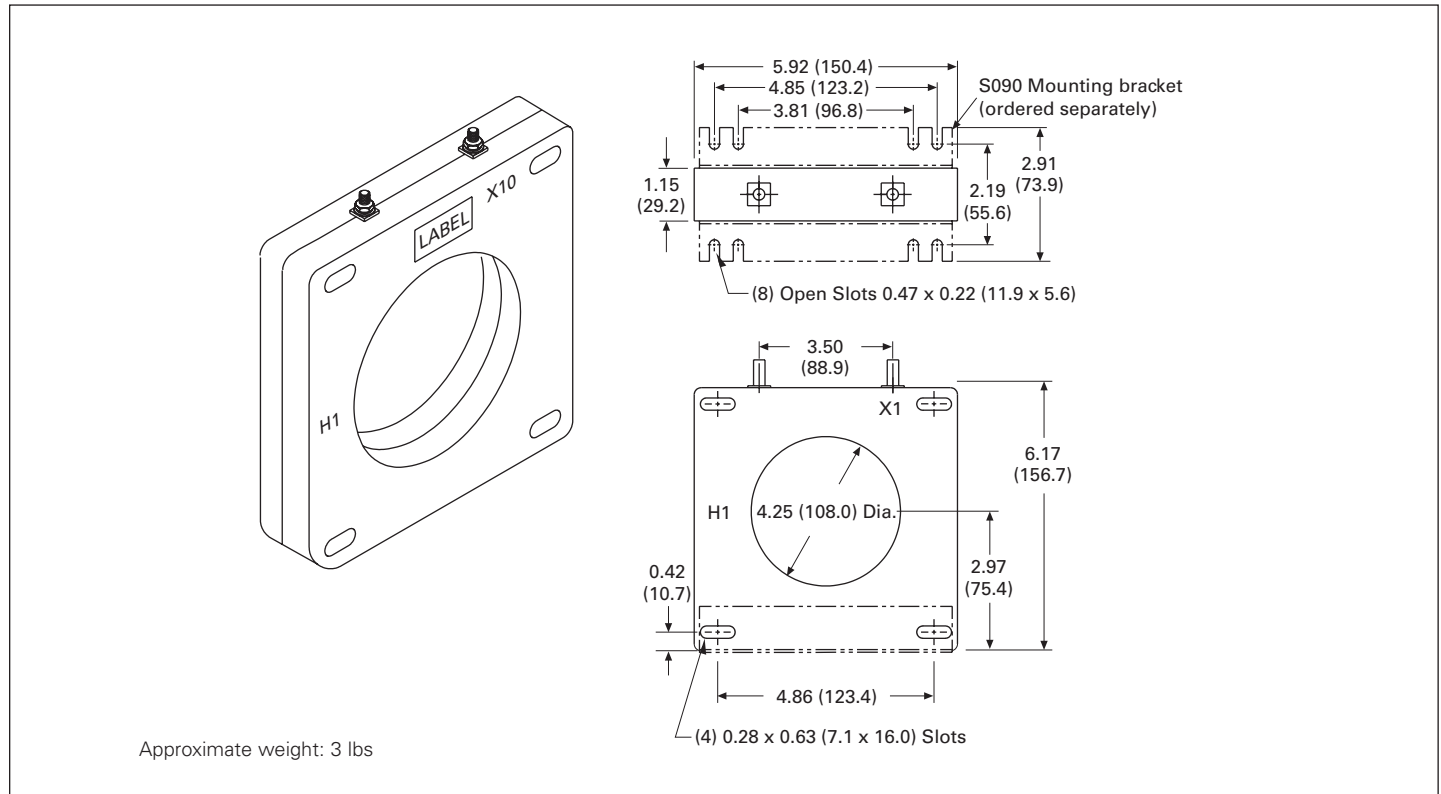


Figure 4. S090—Approximate Dimensions



Dimensions in Inches (mm) (cont.)

Figure 5. S025—Approximate Dimensions

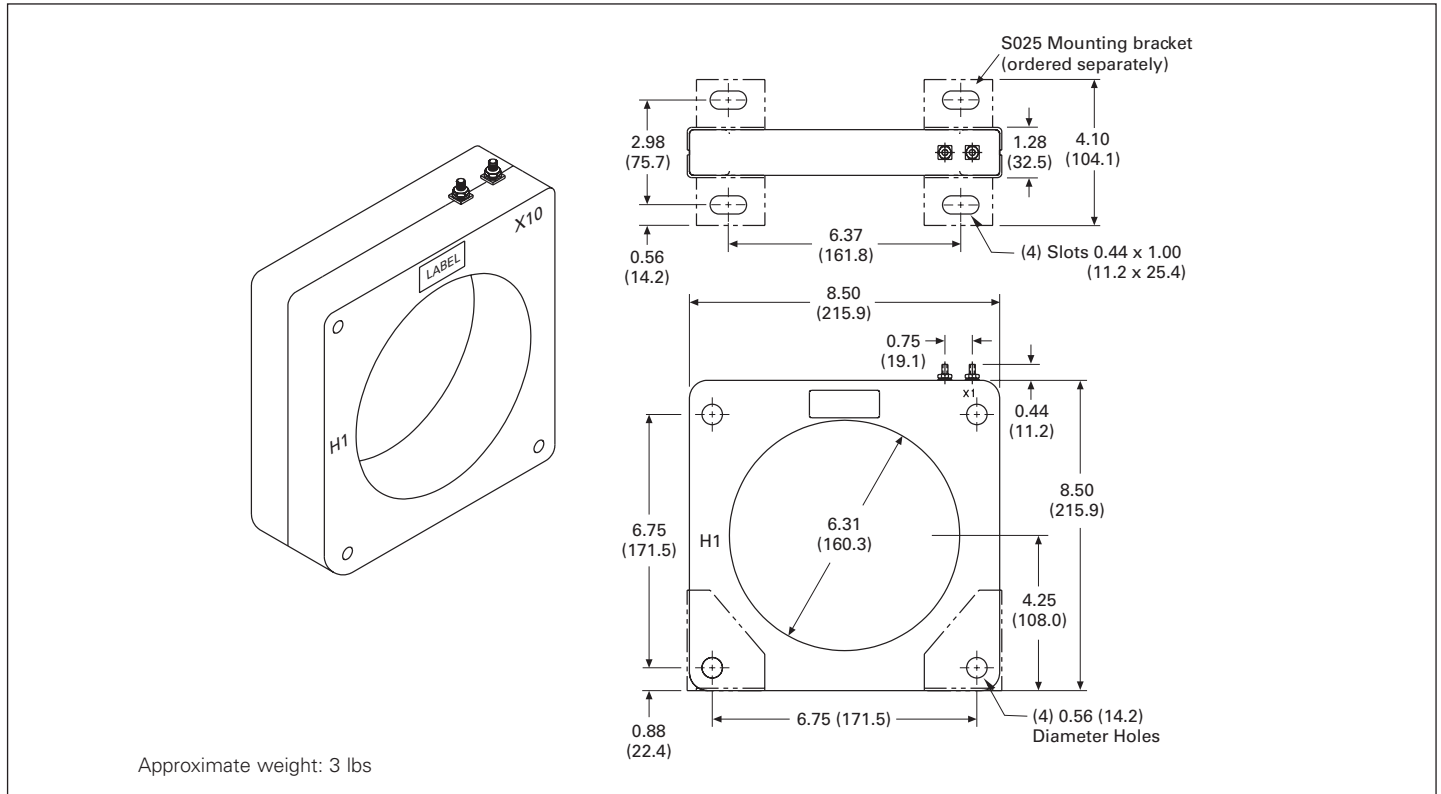
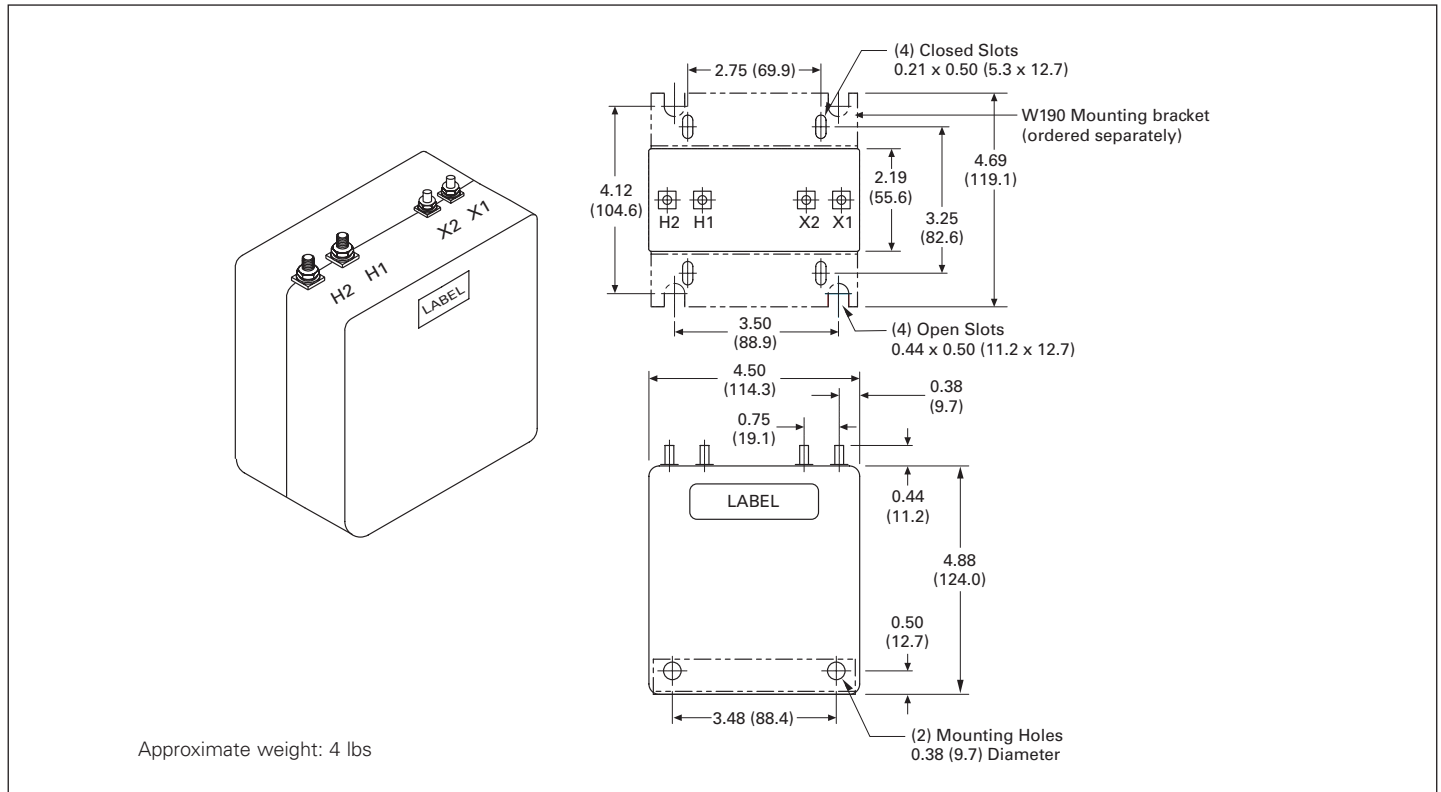


Figure 6. W190—Approximate Dimensions



Dimensions in Inches (mm) (cont.)

Figure 7. M000—Approximate Dimensions

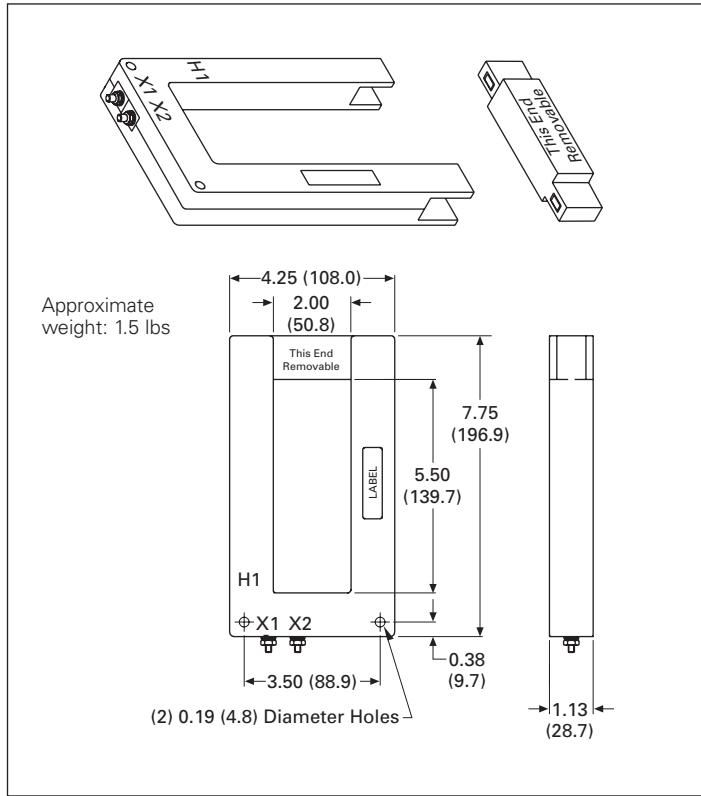


Figure 8. M050—Approximate Dimensions

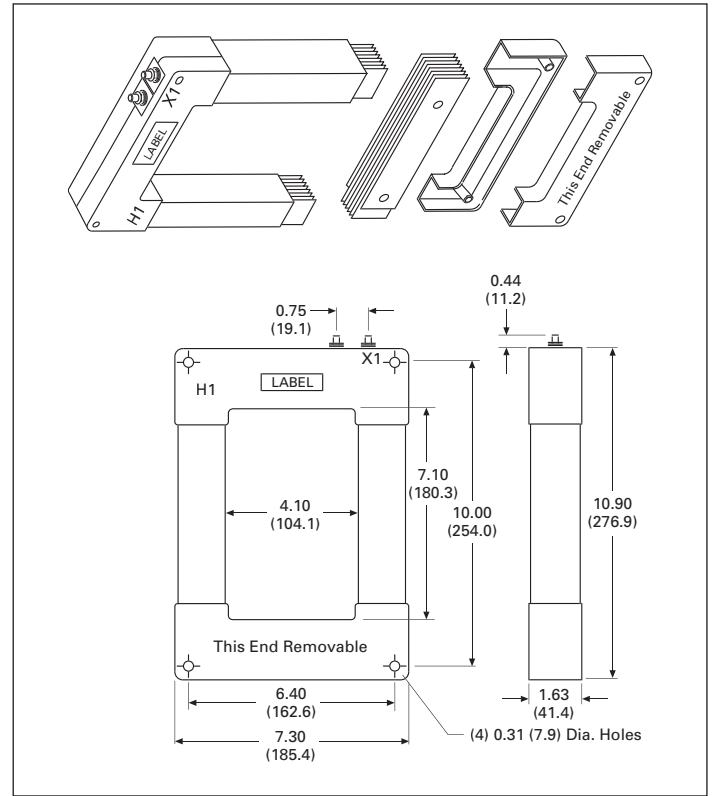
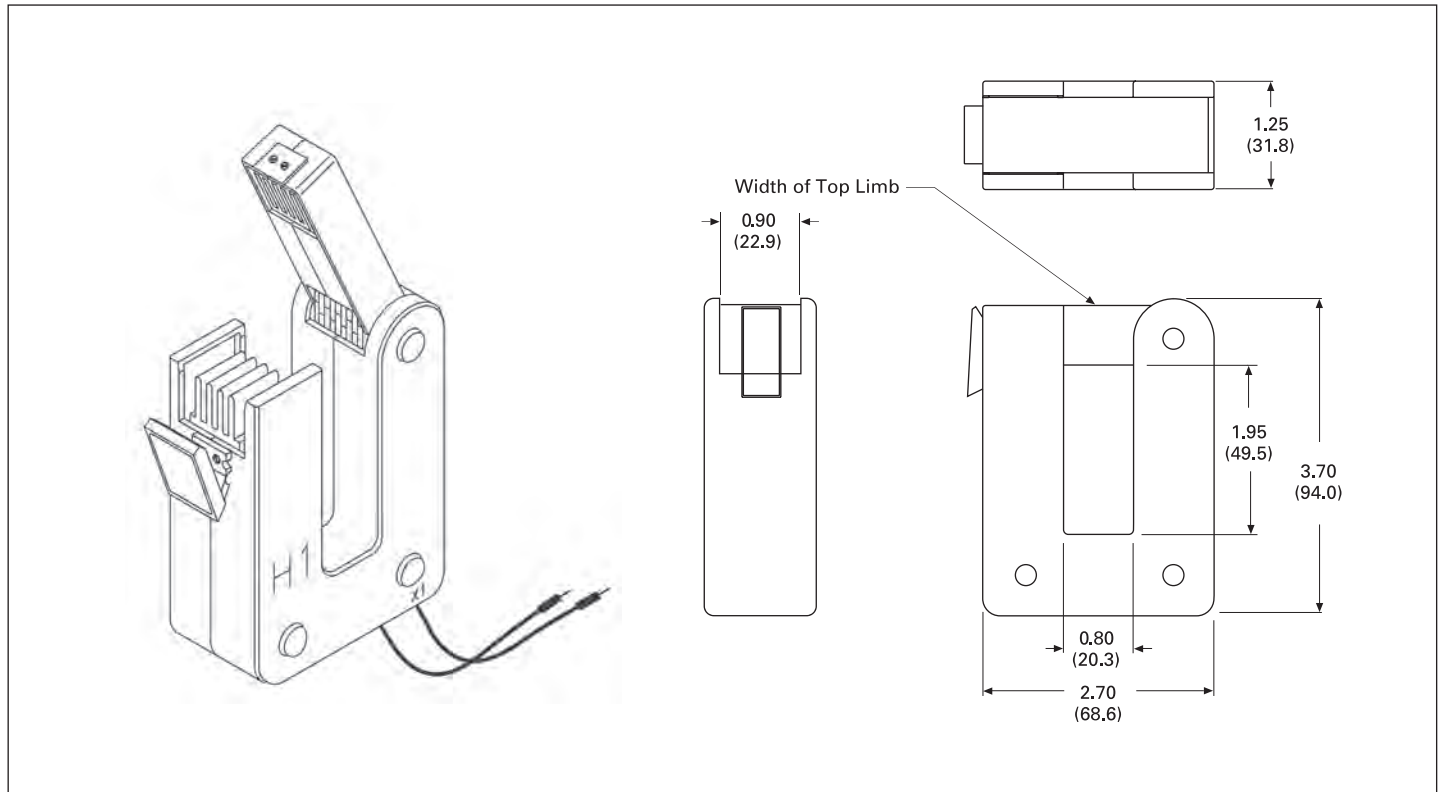


Figure 9. M030—Approximate Dimensions



Dimensions in Inches (mm) (cont.)

Figure 10. M040—Approximate Dimensions

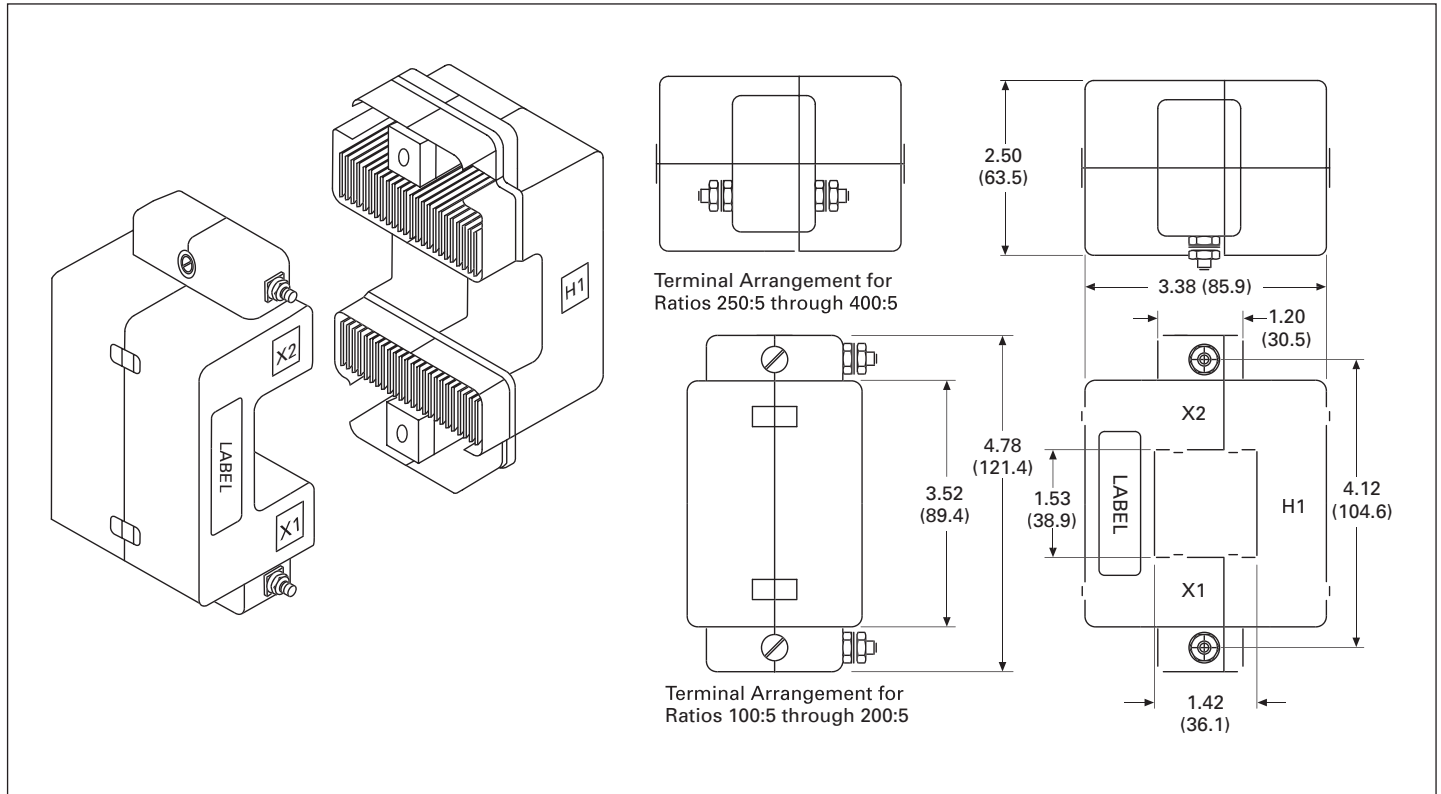


Figure 11. M060—Approximate Dimensions

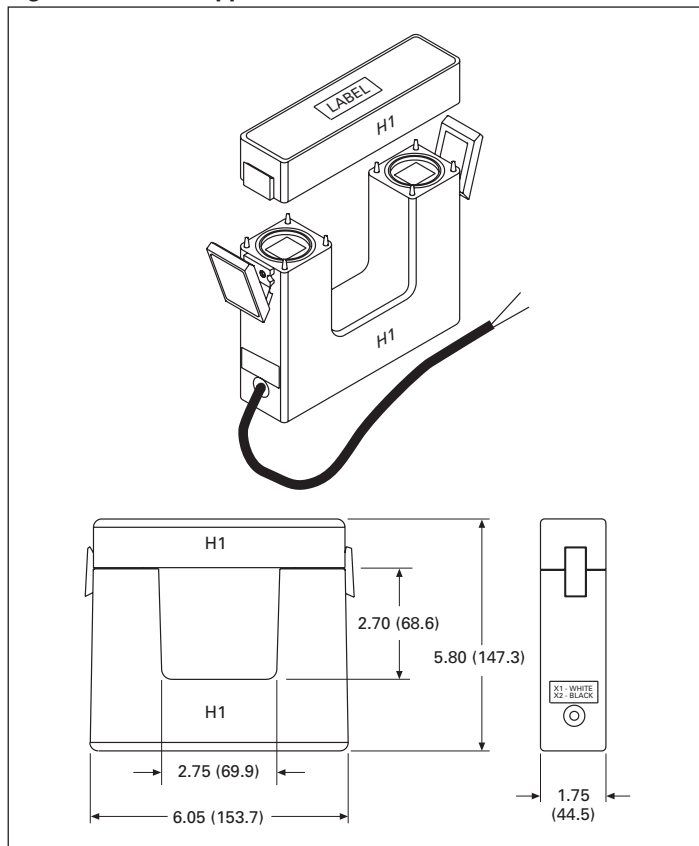
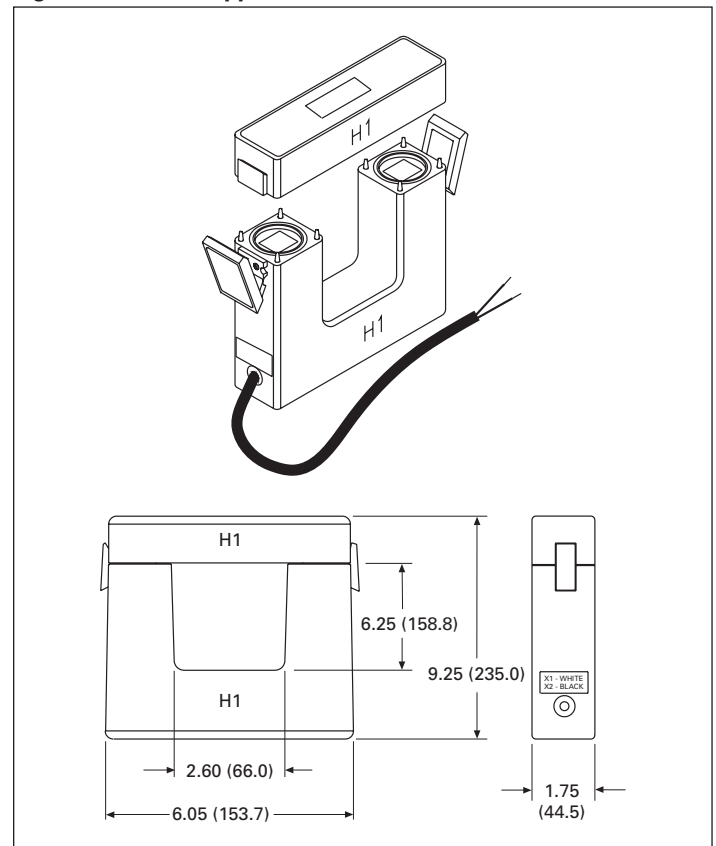


Figure 12. M080—Approximate Dimensions



Eaton Corporation

Electrical Sector
1000 Cherrington Parkway
Moon Township, PA 15108
United States
877-ETN-CARE (877-386-2273)
Eaton.com/meters

© 2012 Eaton Corporation
All Rights Reserved
Printed in USA
Publication No. TD02601002E / TN
March 2012



Eaton is a registered trademark of
Eaton Corporation.

All other trademarks are property of their
respective owners.