



Cutler-Hammer

HVX9000 AF Drives

User Manual

August 2006
Supersedes April 2005



August 2006

Important Notice – Please Read

The product discussed in this literature is subject to terms and conditions outlined in Eaton Electrical Inc. selling policies. The sole source governing the rights and remedies of any purchaser of this equipment is the relevant Eaton Electrical Inc. selling policy.

NO WARRANTIES, EXPRESS OR IMPLIED, INCLUDING WARRANTIES OF FITNESS FOR A PARTICULAR PURPOSE OR MERCHANTABILITY, OR WARRANTIES ARISING FROM COURSE OF DEALING OR USAGE OF TRADE, ARE MADE REGARDING THE INFORMATION, RECOMMENDATIONS AND DESCRIPTIONS CONTAINED HEREIN. In no event will Eaton Electrical Inc. be responsible to the purchaser or user in contract, in tort (including negligence), strict liability or otherwise for any special, indirect, incidental or consequential damage or loss whatsoever, including but not limited to damage or loss of use of equipment, plant or power system, cost of capital, loss of power, additional expenses in the use of existing power facilities, or claims against the purchaser or user by its customers resulting from the use of the information, recommendations and descriptions contained herein.

The information contained in this manual is subject to change without notice.

Cover Photo: Cutler-Hammer® HVX9000 Drives

August 2006

Table of Contents

LIST OF FIGURES — FOR LISTING BY TOPIC SEE APPENDIX D	iv
LIST OF TABLES — FOR LISTING BY TOPIC SEE APPENDIX D	vii
SAFETY	
Definitions and Symbols.....	ix
Hazardous High Voltage	ix
Warnings, Cautions and Notices	x
CHAPTER 1 — OVERVIEW	
How to Use This Manual.....	1-1
Receiving and Inspection	1-1
Catalog Numbering System.....	1-2
CHAPTER 2 — MOUNTING	
Space Requirements	2-1
Environmental Requirements.....	2-2
Standard Mounting Instructions	2-2
CHAPTER 3 — POWER WIRING	
Guidelines	3-1
UL Compatible Cable Selection and Installation	3-2
Installation Instructions.....	3-4
Standard Wiring Diagrams and Terminal Locations	3-7
Power and Motor Wiring Terminal Photos	3-10
Checking the Cable and Motor Insulation.....	3-16
CHAPTER 4 — CONTROL WIRING	
General Information	4-1
Control Wiring Details.....	4-3
CHAPTER 5 — INTELLIPASS BYPASS OPTION	
Product Description.....	5-1
Catalog Number Selection	5-1
Dimensions	5-2
Power Wiring.....	5-9
IntelliPass Control Wiring Instructions	5-23
CHAPTER 6 — MENU INFORMATION	
Keypad Operation	6-1
Start-Up Wizard	6-4
Menu Navigation.....	6-7
CHAPTER 7 — START-UP	
Safety Precautions.....	7-1
Sequence of Operation.....	7-2
CHAPTER 8 — APPLICATION INFORMATION	
Parameter Menus	8-1
APPENDIX A — TECHNICAL DATA	
Specifications.....	A-1
Power Ratings	A-3
Power Loss and Switching Frequency.....	A-4
Dimensions	A-8
EMC Capability	A-20
Declaration of Conformity	A-20
Warranty and Liability Information	A-21
APPENDIX B — PARAMETER TABLES	B-1
APPENDIX C — FAULT AND WARNING CODES	C-1
APPENDIX D — FIGURES AND TABLES BY TOPICS	D-1

List of Figures — For Listing by Topic see Appendix D

Figure 2-1: Mounting Space Requirements	2-1
Figure 3-1: Input Power and Motor Cable Stripping and Wire Lengths	3-4
Figure 3-2: Wiring Plate	3-5
Figure 3-3: Ground Terminal Locations	3-5
Figure 3-4: Cable Protection Plate	3-6
Figure 3-5: Principle Wiring Diagram of HVX Power Unit, FR4, FR5 and FR6	3-7
Figure 3-6: Principle Wiring Diagram of HVX Power Unit, FR6, FR7 and FR8	3-8
Figure 3-7: Principle Wiring Diagram of HVX Power Unit, FR9 and FR10	3-9
Figure 3-8: FR4 Power and Motor Wiring Terminals	3-10
Figure 3-9: FR5 Power and Motor Wiring Terminals	3-11
Figure 3-10: FR6 Power and Motor Wiring Terminals	3-12
Figure 3-11: FR7 Power and Motor Wiring Terminals	3-13
Figure 3-12: FR8 Power and Motor Wiring Terminals	3-14
Figure 3-13: FR9 Power and Motor Wiring Terminals	3-15
Figure 4-1: Option Board Slots	4-1
Figure 4-2: Option Board A9 Wiring Diagram	4-3
Figure 4-3: Option Board A9 Jumper Location and Settings (Slot A)	4-5
Figure 4-4: Option Board A2 Wiring Diagram (Slot B)	4-5
Figure 4-5: Option Board A2 Terminal Locations	4-6
Figure 4-6: Positive/Negative Logic	4-6
Figure 5-1: HVX IntelliPass/IntelliDisconnect Dimensions	5-2
Figure 5-2: HVX Series Enclosed Drive Dimensions — Box A	5-3
Figure 5-3: HVX Series Enclosed Drive Dimensions — Box B	5-4
Figure 5-4: HVX Series Enclosed Drive Dimensions — Box C	5-5
Figure 5-5: HVX Series Enclosed Drive Dimensions — Box A	5-6
Figure 5-6: HVX Series Enclosed Drive Dimensions — Box B	5-7
Figure 5-7: HVX Series Enclosed Drive Dimensions — Box C	5-8
Figure 5-8: Identification of TYPE 3R Components	5-9
Figure 5-9: Tools Required	5-9
Figure 5-10: Schematic for Static Checks	5-15
Figure 5-11: Identification of TYPE 1 Components	5-16
Figure 5-12: IntelliPass Power and Motor Terminal Wiring Example	5-21
Figure 5-13: IntelliPass Control Diagram	5-22
Figure 5-14: Option Board B5 Wiring Diagram	5-23
Figure 5-15: Option Board B5 Terminal Location	5-24
Figure 6-1: Keypad and Display	6-1
Figure 6-2: Operate Menu Navigation	6-5
Figure 6-3: Enable Bypass	6-6
Figure 6-4: Main Menu Navigation — 1 of 2	6-7
Figure 6-5: Main Menu Navigation — 2 of 2	6-8
Figure 6-6: Parameter Menu Structure	6-9
Figure 6-7: Keypad Control Menu	6-9
Figure 6-8: System Menu Structure	6-11
Figure 6-9: Expander Board Menu Structure	6-19
Figure 6-10: Digital Inputs DIN1, DIN2, DIN3 Status	6-22
Figure 6-11: Digital Inputs DIN4, DIN5, DIN6 Status	6-22
Figure 6-12: Digital Outputs DO1, RO1, RO2 Status	6-22

August 2006

List of Figures — For Listing by Topic see Appendix D, continued

Figure 6-13: Active Fault Display Example	6-22
Figure 6-14: Sample Fault History Display	6-24
Figure 6-15: Operate Menu Navigation	6-25
Figure 8-1: DC Braking Command	8-6
Figure 8-2: AI1 Signal Filtering	8-10
Figure 8-3: AI2 Signal Filtering	8-11
Figure 8-4: Control Place B with and without Reference Scaling	8-12
Figure 8-5: Analog Output Filtering	8-15
Figure 8-6: Analog Output Inversion	8-16
Figure 8-7: Analog Output Scale	8-17
Figure 8-8: Output Frequency Supervision	8-24
Figure 8-9: External Brake Control	8-25
Figure 8-10: Acceleration/Deceleration Curve (S-Shaped)	8-29
Figure 8-11: DC Braking Time When Stop Mode = Coasting	8-31
Figure 8-12: DC Braking Time When Stop Mode = Ramp	8-32
Figure 8-13: DC Braking Time at Start	8-32
Figure 8-14: Skip Frequency Area Setting	8-34
Figure 8-15: Ramp Speed Scaling Between Skip Frequencies	8-34
Figure 8-16: Linear and Squared Change of Motor Voltage	8-36
Figure 8-17: Programmable V/f Ratio	8-37
Figure 8-18: Motor Cooling Power	8-41
Figure 8-19: Motor Temperature Calculation	8-42
Figure 8-20: Stall Characteristics Settings	8-43
Figure 8-21: Minimum Load Setting	8-44
Figure 8-22: Underload Time Counter Function	8-45
Figure 8-23: Example of Automatic Restart with Two Restarts	8-46
Figure 8-24: Frequency Reference Logic of the Fire Mode PID Application When Running in Fire Mode	8-49
Figure 8-25: Examples of Actual Value Signal Scaling	8-52
Figure 8-26: PID Controller D-Time, Example 1	8-54
Figure 8-27: PID Controller D-Time, Example 2	8-55
Figure 8-28: PID Controller D-Time, Example 3	8-55
Figure 8-29: Frequency Converter Sleep Function	8-57
Figure 8-30: PID Output + Motor Potentiometer Reference	8-58
Figure A-1: Power Loss as Function of Switching Frequency: 1 – 3 hp 230V, 1-1/2 – 7-1/2 hp 480V	A-5
Figure A-2: Power Loss as Function of Switching Frequency: 5 – 10 hp 230V, 10 – 20 hp 480V	A-5
Figure A-3: Power Loss as Function of Switching Frequency: 15 – 20 hp 230V, 25 – 40 hp 480V	A-6
Figure A-4: Power Loss as Function of Switching Frequency: 50 – 75 hp 480V	A-6
Figure A-5: Power Loss as Function of Switching Frequency: 100 – 150 hp 480V	A-7
Figure A-6: Power Loss as Function of Switching Frequency: 200 – 250 hp 480V	A-7
Figure A-7: NEMA Type 1 and NEMA Type 12 HVX9000 Drive Dimensions, FR4, FR5 and FR6	A-8
Figure A-8: HVX9000 Dimensions, NEMA Type 1 and NEMA Type 12 with Flange Kit, FR4, FR5 and FR6	A-9

List of Figures — For Listing by Topic see Appendix D, continued

Figure A-9: HVX9000 Dimensions, NEMA Type 1 and NEMA Type 12, FR7	A-10
Figure A-10: HVX9000 Dimensions, NEMA Type 1 and NEMA Type 12, FR8	A-11
Figure A-11: HVX9000 Dimensions, NEMA Type 1 and NEMA Type 12, with Flange Kit, FR7 and FR8	A-12
Figure A-12: HVX9000 Dimensions, NEMA Type 1 and NEMA Type 12, FR9	A-13
Figure A-13: HVX9000 Dimensions, NEMA Type 1 and NEMA Type 12 FR9	A-14
Figure A-14: HVX9000 Dimensions, NEMA Type 1 and NEMA Type 12 FR9 with Flange Kit	A-15
Figure A-15: HVX9000 Dimensions, NEMA Type 1 and NEMA Type 12 FR10 Freestanding Drive	A-16
Figure A-16: HVX9000 Dimensions, FR10 Open Chassis	A-17
Figure A-17: HVX9000 Dimensions, NEMA Type 1 FR11 Freestanding Drive	A-18
Figure A-18: HVX9000 Dimensions, FR11 Open Chassis	A-19

August 2006

List of Tables — For Listing by Topic see Appendix D

Table 1-1: HVX9000 Drive Catalog Numbering System	1-2
Table 2-1: Space Requirements for Mounting an HVX9000 Drive	2-1
Table 2-2: Cooling Airflow Requirements	2-2
Table 3-1: Cable Spacings	3-1
Table 3-2: Cable and Fuse Sizes — 208 – 240V Ratings	3-2
Table 3-3: Cable and Fuse Sizes — 380 – 500V Ratings	3-2
Table 3-4: Cable and Fuse Sizes — 575 – 690V Ratings	3-3
Table 3-5: Maximum Symmetrical Supply Current	3-3
Table 3-6: Power Connection Tightening Torque	3-3
Table 3-7: Power and Motor Cable Stripping Lengths	3-4
Table 4-1: Tightening Torques of Terminals	4-2
Table 4-2: Control Wiring Instructions	4-2
Table 4-3: Option Board A9 Terminal Descriptions	4-4
Table 4-4: Option Board A2 Terminal Descriptions	4-6
Table 5-1: HVX IntelliPass Drive Catalog Numbering System	5-1
Table 5-2: NEMA TYPE 1 IntelliPass/IntelliDisconnect Drive Dimensions	5-2
Table 5-3: HVX Series TYPE 12 Enclosed IntelliPass/IntelliDisconnect Drive Dimensions	5-3
Table 5-4: HVX Series TYPE 12 Enclosed IntelliPass/IntelliDisconnect Drive Dimensions	5-4
Table 5-5: HVX Series TYPE 12 Enclosed IntelliPass/IntelliDisconnect Drive Dimensions	5-5
Table 5-6: HVX Series TYPE 3R Enclosed IntelliPass/IntelliDisconnect Drive Dimensions	5-6
Table 5-7: HVX Series TYPE 3R Enclosed IntelliPass/IntelliDisconnect Drive Dimensions	5-7
Table 5-8: HVX Series TYPE 3R Enclosed IntelliPass/IntelliDisconnect Drive Dimensions	5-8
Table 5-9: Bypass Power Wiring Instructions — TYPE 3R and 12	5-10
Table 5-10: Static Checks of Converter	5-14
Table 5-11: Static Checks of Inverter	5-14
Table 5-12: Static Checks of DC Bus	5-15
Table 5-13: Bypass Power Wiring Instructions — TYPE 1	5-16
Table 5-14: Option Board B5 Terminal Descriptions	5-23
Table 6-1: LCD Status Indicators	6-2
Table 6-2: LED Status Indicators	6-2
Table 6-3: Navigation Buttons	6-3
Table 6-4: Operate Menu Items — IntelliPass Application Example	6-5
Table 6-5: Total Counters	6-17
Table 6-6: Trip Counters	6-17
Table 6-7: Software Information	6-18
Table 6-8: Application Information	6-18
Table 6-9: Hardware Information	6-18
Table 6-10: Slot A Expander Board Information	6-18
Table 6-11: Monitoring Menu Items	6-21
Table 6-12: Fault Types	6-23
Table 6-13: Fault Time Data	6-24
Table 6-14: Operate Menu Items — IntelliPass Application Example	6-25
Table 8-1: Scaling Factor for the Analog Output	8-16
Table 8-2: DO1 Function Settings	8-17

List of Tables — For Listing by Topic see Appendix D, continued

Table 8-3: RO1 Function Settings	8-18
Table 8-4: RO2 Function Settings	8-20
Table 8-5: RO3 Content Settings	8-21
Table 8-6: Scaling Factor for the Analog Output	8-27
Table 8-7: Scaling Factor for the Analog Output	8-28
Table 8-8: Binary Inputs for Seven Preset Speeds	8-59
Table 8-9: Fieldbus Output Selection Examples	8-62
Table A-1: HVX9000 Drive Specifications	A-1
Table A-2: 230V I _L Output Power Ratings	A-3
Table A-3: 480V I _L Output Power Ratings	A-3
Table A-4: 575V I _L Output Power Ratings	A-4
Table A-5: HVX9000 Drive Dimensions	A-8
Table A-6: Dimensions for HVX9000, FR4, FR5 and FR6 with Flange Kit	A-9
Table A-7: Dimensions for the Flange Opening, FR4 to FR6	A-9
Table A-8: HVX9000 Drive Dimensions, FR7	A-10
Table A-9: HVX9000 Drive Dimensions, FR8	A-11
Table A-10: Dimensions for HVX9000, FR7 and FR8 with Flange Kit	A-12
Table A-11: Dimensions for the Flange Opening, FR7/FR8	A-12
Table A-12: HVX9000 Drive Dimensions, FR9	A-13
Table A-13: Dimensions for HVX9000, FR9	A-14
Table A-14: Dimensions for HVX9000, FR9 with Flange Kit	A-15
Table A-15: Dimensions for HVX9000, FR10 Freestanding Drive	A-16
Table A-16: Dimensions for HVX9000, FR10 Open Chassis	A-17
Table A-17: Dimensions for HVX9000, NEMA Type 1 FR11 Freestanding Drive	A-18
Table A-18: Dimensions for HVX9000, FR11 Open Chassis	A-19
Table B-1: Parameter Group G1.1: Basic	B-1
Table B-2: Parameter Group G1.2: Input Signals	B-2
Table B-3: Parameter Group G1.3: Output Signals	B-5
Table B-4: Parameter Group G1.4: Drive Control	B-8
Table B-5: Parameter Group G1.5: Skip Frequencies	B-9
Table B-6: Parameter Group G1.6: Motor Control	B-9
Table B-7: Parameter Group G1.7: Protections	B-10
Table B-8: Parameter Group G1.8: Auto-Restart Parameters	B-11
Table B-9: Parameter Group G1.9: Fire Mode	B-12
Table B-10: Parameter Group G1.10: IntelliPass Parameters	B-12
Table B-11: Parameter Group G1.11: PID Control	B-13
Table B-12: Parameter Group G1.12: Preset Speeds	B-14
Table B-13: Parameter Group G1.13: Communication Bus	B-15
Table B-14: Monitoring Menu Items	B-16
Table C-1: Fault Codes	C-1

August 2006

Safety

Definitions and Symbols

 WARNING

This symbol indicates high voltage. It calls your attention to items or operations that could be dangerous to you and other persons operating this equipment. Read the message and follow the instructions carefully.



This symbol is the "Safety Alert Symbol." It occurs with either of two signal words: WARNING or CAUTION as described below.

 WARNING

Indicates a potentially hazardous situation which, if not avoided, can result in serious injury or death.

 CAUTION

Indicates a potentially hazardous situation which, if not avoided, can result in minor to moderate injury, or serious damage to the equipment. The situation described in the CAUTION may, if not avoided, lead to serious results. Important safety measures are described in CAUTION (as well as WARNING).

Hazardous High Voltage

 WARNING

Motor control equipment and electronic controllers are connected to hazardous line voltages. When servicing drives and electronic controllers, there may be exposed components with housings or protrusions at or above line potential. Extreme care should be taken to protect against shock.

- Stand on an insulating pad and make it a habit to use only one hand when checking components.
- Always work with another person in case an emergency occurs.
- Disconnect power before checking controllers or performing maintenance.
- Be sure equipment is properly grounded.
- Wear safety glasses whenever working on electronic controllers or rotating machinery.

Warnings, Cautions and Notices

Read this manual thoroughly and make sure you understand the procedures before you attempt to install, set up, or operate this Cutler-Hammer® HVX9000 Adjustable Frequency Drive from Eaton's electrical business.

Warnings

 WARNING

Be sure to ground the unit following the instructions in this manual. Ungrounded units may cause electric shock and/or fire.

 WARNING

This equipment should be installed, adjusted, and serviced by qualified electrical maintenance personnel familiar with the construction and operation of this type of equipment and the hazards involved. Failure to observe this precaution could result in death or severe injury.

 WARNING

Components within the HVX9000 power unit are live when the drive is connected to power. Contact with this voltage is extremely dangerous and may cause death or severe injury.

 WARNING

Line terminals (L1, L2, L3), motor terminals (U, V, W) and the DC-link/brake resistor terminals (-/+) are live when the drive is connected to power, even if the motor is not running. Contact with this voltage is extremely dangerous and may cause death or severe injury.

 WARNING

Even though the control I/O-terminals are isolated from line voltage, the relay outputs and other I/O-terminals may have dangerous voltage present even when the drive is disconnected from power. Contact with this voltage is extremely dangerous and may cause death or severe injury.

 WARNING

The HVX9000 drive has a large capacitive leakage current during operation, which can cause enclosure parts to be above ground potential. Proper grounding, as described in this manual, is required. Failure to observe this precaution could result in death or severe injury.

 WARNING

Before applying power to the HVX9000 drive, make sure that the front and cable covers are closed and fastened to prevent exposure to potential electrical fault conditions. Failure to observe this precaution could result in death or severe injury.

August 2006

⚠ WARNING

An upstream disconnect/protective device must be provided as required by the National Electric Code (NEC). Failure to follow this precaution may result in death or severe injury.

⚠ WARNING

Before opening the HVX9000 drive covers:

- Disconnect all power to the HVX9000 drive.
- Wait a minimum of 5 (five) minutes after all the lights on the keypad are off. This allows time for the DC bus capacitors to discharge.
- A hazardous voltage may still remain in the DC bus capacitors even if the power has been turned off. Confirm that the capacitors have fully discharged by measuring their voltage using a multimeter set to measure DC voltage.

Failure to follow the above precautions may cause death or severe injury.

⚠ WARNING

The HVX9000 output terminals U, V and W correspond to a phase rotation of ABC. If the input terminals L1, L2 and L3 have not been wired for ABC, the motor rotation will be different when powered from the bypass instead of the HVX9000 which can result in personal injury and equipment damage. In this situation the input line wiring must be changed to correspond to ABC rotation.

Cautions

⚠ CAUTION

Do not perform any megger or voltage withstand tests on any part of the HVX9000 drive or its components. Improper testing may result in damage.

⚠ CAUTION

Prior to any tests or measurements of the motor or the motor cable, disconnect the motor cable at the HVX9000 output terminals (U, V, W) to avoid damaging the HVX9000 during the motor or cable testing.

⚠ CAUTION

Do not touch any components on the circuit boards. Static voltage discharge may damage the components.

⚠ CAUTION

Any electrical or mechanical modification to this equipment without prior written consent of Eaton will void all warranties and may result in a safety hazard in addition and voiding of the UL listing.

⚠ CAUTION

Install the HVX9000 drive on flame-resistant material such as a steel plate to reduce the risk of fire.

⚠ CAUTION

Install the HVX9000 drive on a perpendicular surface that is able to support the weight of the drive and is not subject to vibration, to lessen the risk of the drive falling and being damaged and/or causing personal injury.

⚠ CAUTION

Prevent foreign material such as wire clippings or metal shavings from entering the drive enclosure, as this may cause arcing damage and fire.

⚠ CAUTION

Install the HVX9000 drive in a well-ventilated room that is not subject to temperature extremes, high humidity, or condensation, and avoid locations that are directly exposed to sunlight, or have high concentrations of dust, corrosive gas, explosive gas, inflammable gas, grinding fluid mist, etc. Improper installation may result in a fire hazard.

Motor and Equipment Safety

⚠ CAUTION

Before starting the motor, check that the motor is mounted properly and aligned with the driven equipment. Ensure that starting the motor will not cause personal injury or damage equipment connected to the motor.

⚠ CAUTION

Set the maximum motor speed (frequency) in the HVX9000 drive according to the requirements of the motor and the equipment connected to it. Incorrect maximum frequency settings can cause motor or equipment damage and the potential for personal injury.

⚠ CAUTION

Before reversing the motor rotation, ensure that this will not cause personal injury or equipment damage.

⚠ CAUTION

Make sure that no power factor correction capacitors are connected to the HVX9000 output or the motor terminals to prevent HVX9000 malfunction and potential damage.

⚠ CAUTION

Make sure that the HVX9000 output terminals (U, V, W) are not connected to the utility line power as severe damage to the HVX9000 drive and personal injury may occur.

August 2006

Chapter 1 — Overview

This chapter describes the purpose and contents of this manual, the receiving inspection recommendations and the Cutler-Hammer® HVX9000 catalog numbering system.

How to Use This Manual

The purpose of this manual is to provide you with information necessary to install, set and customize parameters, start-up, troubleshoot and maintain the Cutler-Hammer HVX9000 drive from Eaton's electrical business. To provide for safe installation and operation of the equipment, read the safety guidelines at the beginning of this manual and follow the procedures outlined in the following chapters before connecting power to the HVX9000 drive. Keep this operating manual handy and distribute to all users, technicians and maintenance personnel for reference.

Chapter 1 – Overview

Chapter 2 – Mounting

Chapter 3 – Power Wiring

Chapter 4 – Control Wiring

Chapter 5 – IntelliPass Bypass Option

Chapter 6 – Menu Information

Chapter 7 – Start-Up

Chapter 8 – Application Information

Appendix A – Technical Data

Appendix B – Parameter Tables

Appendix C – Fault and Warning Codes

Receiving and Inspection

The HVX9000 AC drive has met a stringent series of factory quality requirements before shipment. It is possible that packaging or equipment damage may have occurred during shipment. After receiving your HVX9000 drive, please check for the following:

- Check to make sure that the package(s) includes the HVX9000 drive, the User Manual, rubber conduit covers, screws, conduit plate and ground straps.
- Inspect the unit to ensure it was not damaged during shipment.
- Make sure that the part number indicated on the nameplate corresponds with the Catalog Number on your order.

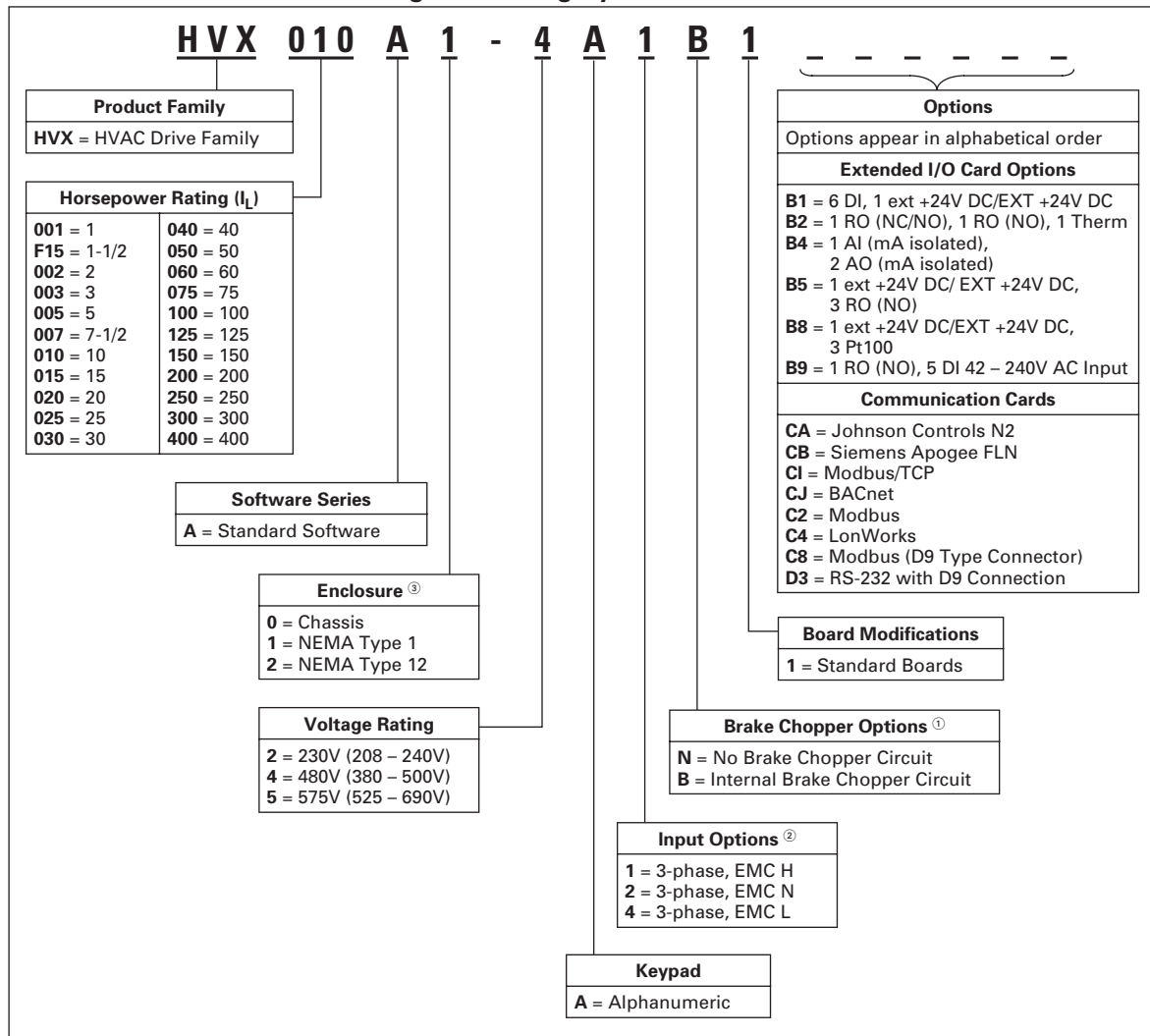
If shipping damage has occurred, please contact and file a claim with the carrier involved immediately.

If the delivery does not correspond to your order, please contact your Eaton representative.

Note: Do not destroy the packing. The template printed on the protective cardboard can be used for marking the mounting points of the HVX9000 on the wall or cabinet.

Catalog Numbering System

Table 1-1: HVX9000 Drive Catalog Numbering System



- ① 480V Drives up to 40 hp (I_L) are only available with Brake Chopper Option **B**.
480V Drives 50 hp (I_L) or larger are only available with Brake Chopper Option **N**.
230V Drives up to 20 hp (I_L) are only available with Brake Chopper Option **B**.
575V Drives are standard without Brake Chopper Option **N**.
- ② All 230V Drives and 480V Drives up to 250 hp (I_L) are only available with Input Option 1.
480V Freestanding Drives are available with Input Option 4 (EMC Level L). 575V Drives up to 200 hp (I_L) are only available with Input Option 4 (EMC Level L).
- ③ 480V Drives 300 – 600 hp (I_L) are available with enclosure style **0** (Chassis). 480V FR10 Freestanding Drives are available with enclosure style **1** (NEMA Type 1) or **2** (NEMA Type 12). FR11 Freestanding Drives are only available with enclosure style **1** (NEMA Type 1).

Note: Availability —

480V: 1-1/2 – 400 hp, 230V: 1 – 75 hp, 575V: 3 – 200 hp.

August 2006

Chapter 2 — Mounting

HVX9000 drives may be mounted side-by-side or stacked vertically, as outlined in the following section.

Space Requirements

To ensure proper air circulation and cooling, follow the guidelines below.

Table 2-1: Space Requirements for Mounting an HVX9000 Drive

Drive Type Variable Torque Rating	Approximate Dimensions in Inches (mm) ^①				
	A	A ₂	B	C	D
230V, 1 – 3 hp 480V, 1-1/2 – 7-1/2 hp	0.8 (20)		0.8 (20)	3.9 (100)	2.0 (50)
230V, 5 – 10 hp 480V, 10 – 20 hp	0.8 (20)		0.8 (20)	4.7 (120)	2.4 (60)
230V, 15 – 20 hp 480V, 25 – 40 hp 575V, 3 – 30 hp	1.2 (30)		0.8 (20)	6.3 (160)	3.1 (80)
230V, 25 – 30 hp 480V, 50 – 75 hp 575V, 40 – 50 hp	3.1 (80)		3.1 (80)	11.8 (300)	3.9 (100)
480V, 100 – 150 hp 575V, 60 – 100 hp	3.1 (80)	5.9 (150)	3.1 (80)	11.8 (300)	7.9 (200)
480V, 200 – 250 hp 575V, 125 – 200 hp	2.0 (50)		3.1 (80)	15.7 (400)	9.8 (250) 13.8 ^② (350)

^① Dimensions represent the minimum clearance needed when mounting a drive. See **Figure 2-1** below.

A = clearance around the HVX9000.

A₂ = clearance needed to change the fan without disconnecting the motor cables.

B = distance between adjacent HVX9000s or between the HVX9000 and an enclosure wall.

C = clearance above the HVX9000.

D = clearance below the HVX9000.

^② Minimum clearance below the HVX9000 needed to change the fan.

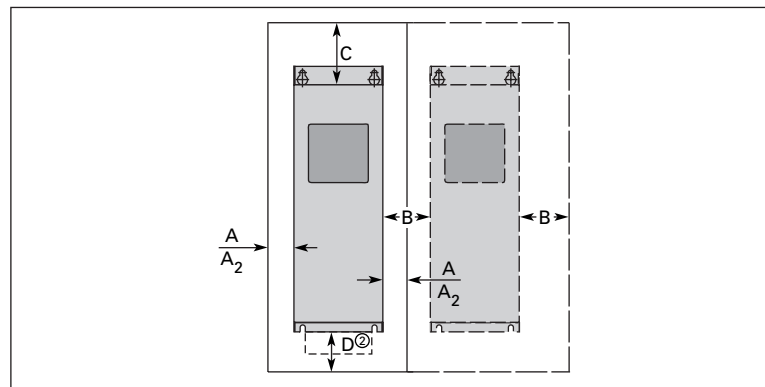


Figure 2-1: Mounting Space Requirements

If several units are mounted above each other, the clearance between the drives should equal C + D (see **Table 2-1** and **Figure 2-1** above). In addition, the outlet air used for cooling the lower unit must be directed away from the inlet air used by the upper unit.

Environmental Requirements

Ensure that the environment meets the requirements listed in **Table A-1** of **Appendix A** for any storage or operating situation.

The following table specifies the minimum airflow required in the area where the drive will be mounted. Note that this drive is suitable for installation in a compartment handling conditioned air.

Table 2-2: Cooling Airflow Requirements

Drive Type Variable Torque Ratings	Cooling Air Required
230V, 1 – 3 hp 480V, 1-1/2 – 7-1/2 hp	41 cfm (70 m ³ /h)
230V, 5 – 10 hp 480V, 10 – 20 hp	112 cfm (190 m ³ /h)
230V, 15 – 20 hp 480V, 25 – 40 hp 575V, 3 – 30 hp	250 cfm (425 m ³ /h)
230V, 25 – 30 hp 480V, 50 – 75 hp 575V, 40 – 50 hp	250 cfm (425 m ³ /h)
480V, 100 – 150 hp 575V, 60 – 100 hp	383 cfm (650 m ³ /h)
480V, 200 – 250 hp 575V, 125 – 200 hp	765 cfm (1300 m ³ /h)

Standard Mounting Instructions

1. Measure the mounting space to ensure that it allows for the minimum space surrounding the HVX9000 drive. Drive dimensions are in **Appendix A**.
2. Make sure the mounting surface is flat and strong enough to support the drive, is not flammable, and is not subject to excessive motion or vibration.
3. Ensure that the minimum airflow requirements for your drive are met at the mounting location.
4. Mark the location of the mounting holes on the mounting surface, using the template provided on the cover of the cardboard shipping package.
5. Using fasteners appropriate to your drive and mounting surface, securely attach the drive to the mounting surface using all 4 screws or bolts.

August 2006

Chapter 3 — Power Wiring

Guidelines

To ensure proper wiring, use the following guidelines:

- Use heat-resistant copper cables only, +75°C or higher.
- The input line cable and line fuses must be sized in accordance with the rated input current of the unit. See **Tables 3-2** and **3-5**.
- Consistent with UL listing requirements, for maximum protection of the HVX9000 drive, UL recognized fuses type RK should be used.
- If motor temperature sensing is used for overload protection, the output wire size may be selected based on the motor specifications.
- If three or more shielded cables are used in parallel for the output on the larger units, every cable must have its own overload protection.
- Avoid placing the motor cables in long parallel lines with other cables.
- If the motor cables run in parallel with other cables, note the minimum distances between the motor cables and other cables given in **Table 3-1** below:

Table 3-1: Cable Spacings

Minimum Distance Between Cables in Feet (m)	Shielded Cable Length in Feet (m)
1 (0.3)	≤164 (50)
3.3 (1.0)	≤656 (200)

- The spacings of **Table 3-1** also apply between the motor cables and signal cables of other systems.
- Maximum length of the motor cables is as follows:
 - 1 – 2 hp 230V units, 328 ft. (100m)
 - All other hp units, 984 ft. (300m)
- The motor cables should cross other cables at an angle of 90 degrees.
- If conduit is being used for wiring, use separate conduits for the input power wiring, the output power wiring, the signal wiring, and the control wiring.

UL Compatible Cable Selection and Installation

Use only copper wire with temperature rating of at least 167°F (75°C).

Table 3-2: Cable and Fuse Sizes — 208 – 240V Ratings

hp	Frame Size	NEC I _l (A)	I _l (A)	Fuse (A) ①	Wire Size		Terminal Size	
					Power	Ground	Power	Ground
1	FR4	4.2	4.8	10	14	14	16 – 12	16 – 14
1-1/2	FR4	6	6.6	10	14	14	16 – 12	16 – 14
2	FR4	6.8	7.8	10	14	14	16 – 12	16 – 14
3	FR4	9.6	11	15	14	14	16 – 12	16 – 14
5	FR5	15.2	17.5	20	12	12	16 – 8	16 – 8
7-1/2	FR5	22	25	30	10	10	16 – 8	16 – 8
10	FR5	28	31	40	8	8	16 – 8	16 – 8
15	FR6	42	48	60	4	8	14 – 0	10 – 2
20	FR6	54	61	80	2	6	14 – 0	10 – 2
25	FR7	68	72	100	2	6	14 – 0	10 – 00
30	FR7	80	87	110	1	6	14 – 0	10 – 00
40	FR7	104	114	125	1/0	4	14 – 0	10 – 00
50	FR8	130	140	175	3/0	2	4/3/00	4 – 000
60	FR8	154	170	200	4/0	0	000 – 350 MCM	4 – 000
75	FR8	192	205	250	300	2/0	000 – 350 MCM	4 – 000

① UL recognized type RK.

Table 3-3: Cable and Fuse Sizes — 380 – 500V Ratings

hp	Frame Size	NEC I _l (A)	I _l (A)	Fuse (A) ①	Wire Size		Terminal Size	
					Power	Ground	Power	Ground
1-1/2	FR4	3	3.3	10	14	14	16 – 12	16 – 14
2	FR4	3.4	4.3	10	14	14	16 – 12	16 – 14
3	FR4	4.8	5.6	10	14	14	16 – 12	16 – 14
5	FR4	7.6	7.6	10	14	14	16 – 12	16 – 14
7-1/2	FR4	11	12	15	12	14	16 – 12	16 – 14
10	FR5	14	16	20	10	12	16 – 8	16 – 8
15	FR5	21	23	30	10	10	16 – 8	16 – 8
20	FR5	27	31	35	8	8	16 – 8	16 – 8
25	FR6	34	38	50	6	8	14 – 0	10 – 2
30	FR6	40	46	60	4	8	14 – 0	10 – 2
40	FR6	52	61	80	2	6	14 – 0	10 – 2
50	FR7	65	72	100	2	6	14 – 0	10 – 00
60	FR7	77	87	110	1	6	14 – 0	10 – 00
75	FR7	96	105	125	1/0	4	14 – 0	10 – 00
100	FR8	124	140	175	3/0	2	4 – 3/0	4 – 000
125	FR8	156	170	200	4/0	0	000 – 350 MCM	4 – 000
150	FR8	180	205	250	300	2/0	000 – 350 MCM	4 – 000
200	FR9	240	261	350	2 X 4/0	3/0	2*000 – 350 MCM	4 – 000
250	FR9	302	300	400	2 X 250	300	2*000 – 350 MCM	4 – 000
300	FR10	361	385	450	2 X 250	300	600 MCM	300 MCM
350	FR10	414	460	500	2 X 300	300	600 MCM	300 MCM
400	FR10	477	520	600	2 X 400	350	600 MCM	300 MCM

① UL recognized type RK5.

August 2006

Table 3-4: Cable and Fuse Sizes — 575 – 690V Ratings

hp	Frame Size	NEC I _l (A)	I _l (A)	Fuse (A) ^①	Wire Size		Terminal Size	
					Power	Ground	Power	Ground
3	FR6	3.9	4.5	10	14	14	14 – 0	14 – 2
5	FR6	6.1	7.5	10	14	14	14 – 0	14 – 2
7-1/2	FR6	9	10	15	12	14	14 – 0	14 – 2
10	FR6	11	13.5	20	12	12	14 – 0	14 – 2
15	FR6	17	18	30	10	10	14 – 0	14 – 2
20	FR6	22	22	35	8	8	14 – 0	14 – 2
25	FR6	27	27	40	8	8	14 – 0	14 – 2
30	FR6	32	34	45	6	8	14 – 0	14 – 2
40	FR7	41	41	50	6	8	14 – 0	10 – 0
50	FR7	52	52	70	4	6	14 – 0	10 – 0
60	FR8	62	62	80	2	6	4 – 000	4 – 000
75	FR8	77	80	125	1/0	6	4 – 000	4 – 000
100	FR8	99	100	150	2/0	6	4 – 000	4 – 000
125	FR9	125	125	175	3/0	6	4 – 000	4 – 000
150	FR9	144	144	250	300	1/0	000 – 350 MCM	4 – 000
200	FR9	192	208	275	350	2/0	000 – 350 MCM	4 – 000

^① UL recognized type RK5.

Table 3-5: Maximum Symmetrical Supply Current

Product	Voltage	Maximum RMS Symmetrical Amperes on Supply Circuit
1 – 30 hp	230	100,000A
1-1/2 – 250 hp	480	100,000A

Table 3-6: Power Connection Tightening Torque

Rating	Frame Size	Tightening Torque (in-lbs)	Tightening Torque (Nm)
230V, 1 – 3 hp 480V, 1-1/2 – 7-1/2 hp	FR4	5	0.6
230V, 5 – 10 hp 480V, 10 – 20 hp	FR5	13	1.5
230V, 15 – 20 hp 480V, 25 – 40 hp 575V, 3 – 30 hp	FR6	35	4
230V, 25 – 40 hp 480V, 50 – 75 hp 575V, 40 – 50 hp	FR7	88	10
230V, 50 – 75 hp 480V, 100 hp	FR8	170/80 ^①	20/9 ^①
480V, 125 – 150 hp 575V, 60 – 100 hp	FR8	354/195 ^①	40/22 ^①
480V, 200 – 250 hp 575V, 125 – 200 hp	FR9	354/195 ^①	40/22 ^①
480V, 300 – 400 hp	FR10	620/354	70/40 ^①

^① The isolation standoff of the bus bar will not withstand the listed tightening torque. Use a wrench to apply a counter torque when tightening.

Installation Instructions

- Strip the motor and power cables as shown in **Figure 3-1** and **Table 3-7**.

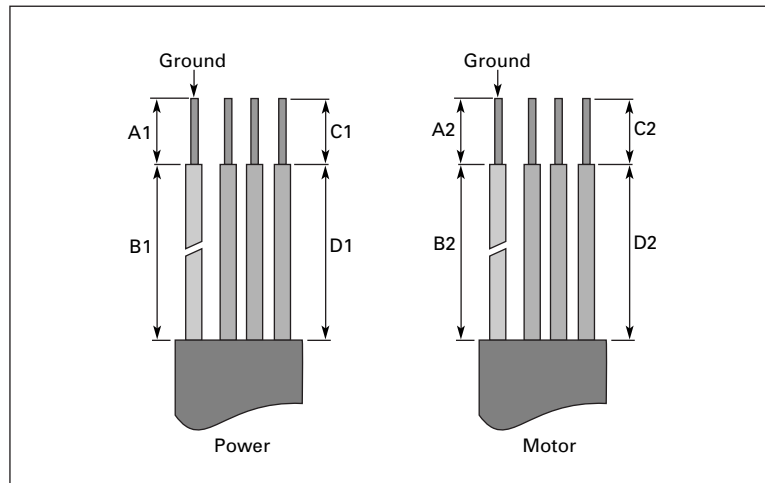


Figure 3-1: Input Power and Motor Cable Stripping and Wire Lengths

Table 3-7: Power and Motor Cable Stripping Lengths

Product		Frame Size	Power Wiring in Inches (mm)				Motor Wiring in Inches (mm)			
Horsepower	Voltage		A1	B1	C1	D1	A2	B2	C2	D2
1 – 3 1-1/2 – 7-1/2	230 480	FR4	0.59 (15)	1.38 (35)	0.39 (10)	0.79 (20)	0.28 (7)	1.97 (50)	0.28 (7)	1.38 (35)
5 – 10 10 – 20	230 480	FR5	0.79 (20)	1.57 (40)	0.39 (10)	1.18 (30)	0.79 (20)	2.36 (60)	0.39 (10)	1.57 (40)
15 – 20 25 – 40 3 – 30	230 480 575	FR6	0.79 (20)	3.54 (90)	0.59 (15)	2.36 (60)	0.79 (20)	3.54 (90)	0.59 (15)	2.36 (60)
25 – 40 50 – 75 40 – 50	230 480 575	FR7	0.98 (25)	4.72 (120)	0.98 (25)	4.72 (120)	0.98 (25)	4.72 (120)	0.98 (25)	4.72 (120)
50 – 75 100 – 150 60 – 100	230 480 575	FR8	1.1 (28)	9.45 (240)	1.1 (28)	9.45 (240)	1.1 (28)	9.45 (240)	1.1 (28)	9.45 (240)
200 – 250 125 – 200	480 575	FR9	1.1 (28)	11.61 (295)	1.1 (28)	11.61 (295)	1.1 (28)	11.61 (295)	1.1 (28)	11.61 (295)

August 2006

2. Locate the plastic bag shipped with the drive containing the wiring plate.

Note: Part numbers for these kits in plastic bags are: Frame 4 — FR00040; Frame 5 — FR00050; Frame 6 — FR00060.

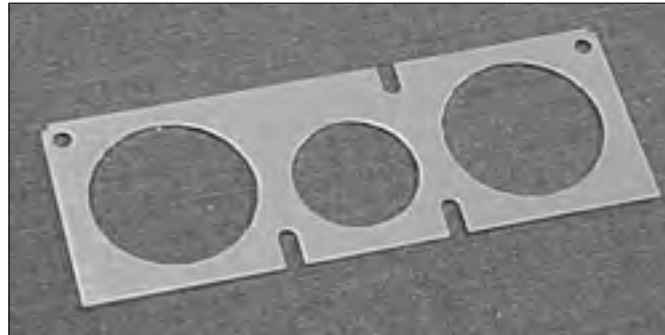


Figure 3-2: Wiring Plate

3. If conduit is being used, attach the wiring plate to it.
4. Pass the motor and input power wires/cables through the holes of the wiring plate.
5. Connect the input power and motor wires to their respective terminals according to the wiring diagrams in the following section marked "Standard Wiring Diagrams and Terminal Locations" on **Page 3-7**.
6. If an optional external brake resistor is used, connect its cable to the appropriate terminals. See "Standard Wiring Diagrams and Terminal Locations".
7. If shielded cable is used, connect the shields of the input line power cable and the motor cable to the ground terminals of the HVX9000 drive, the motor and the line power supply.



Figure 3-3: Ground Terminal Locations

8. If shielded cable is not used, check the connection of the ground cable to the motor, the HVX9000 drive and the input line power terminals marked with \oplus .
9. Attach the wiring plate with the screws provided. Ensure that no wires are trapped between the frame and the wiring plate.
10. Insert the rubber grommets into the wiring plate holes that have not been used as illustrated in **Figure 3-4**.



Figure 3-4: Cable Protection Plate

August 2006

Standard Wiring Diagrams and Terminal Locations

Power and Motor Wiring Terminal Schematics for HVX9000 Drives

The following wiring diagrams show the line and motor connections of the frequency converter.

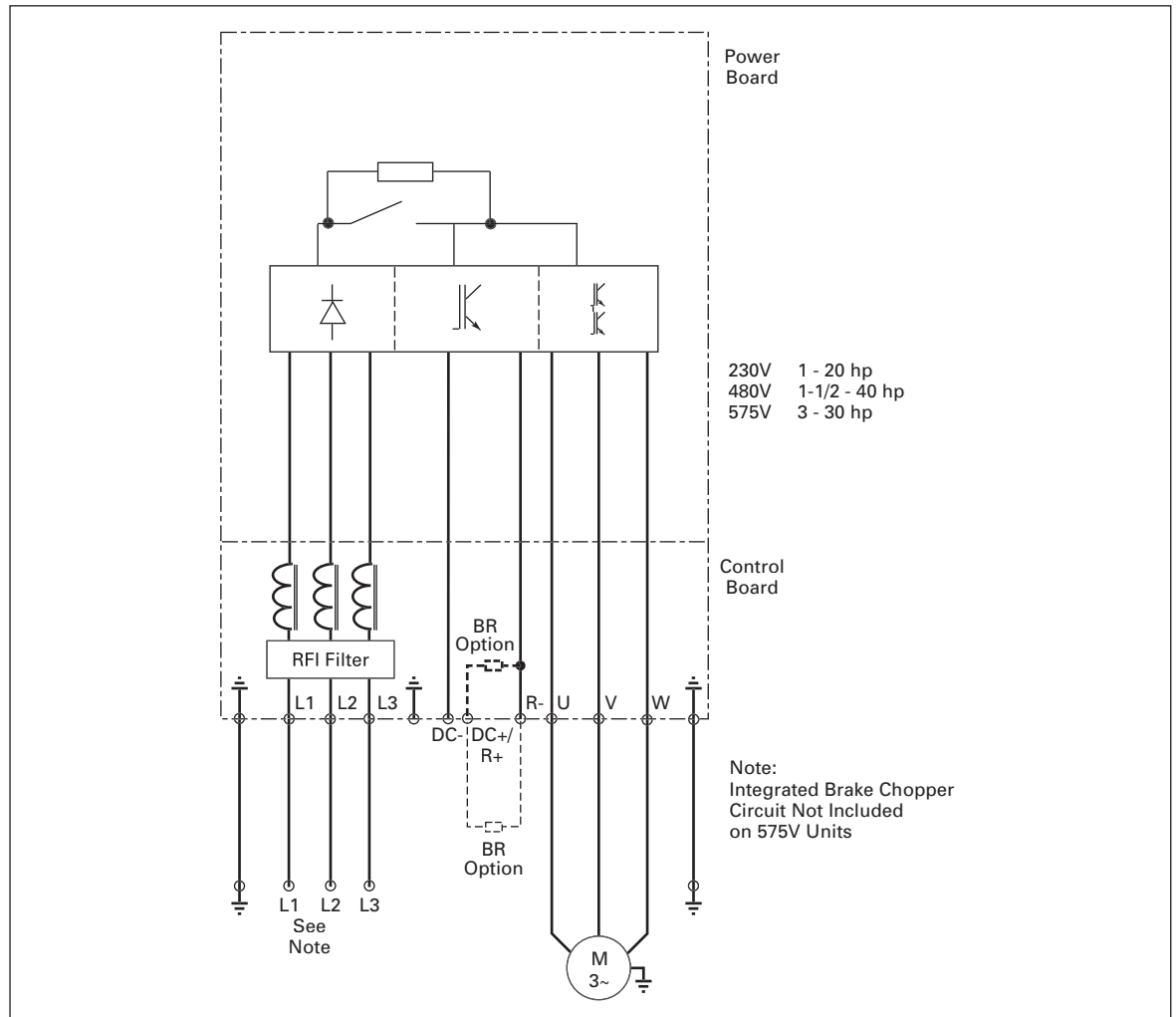


Figure 3-5: Principle Wiring Diagram of HVX Power Unit, FR4, FR5 and FR6

Note: When using a 1-phase supply, for units rated for such, connect the input power to terminals L1 and L2. Refer to **Tables A-2, A-3 and A-4** in **Appendix A**.

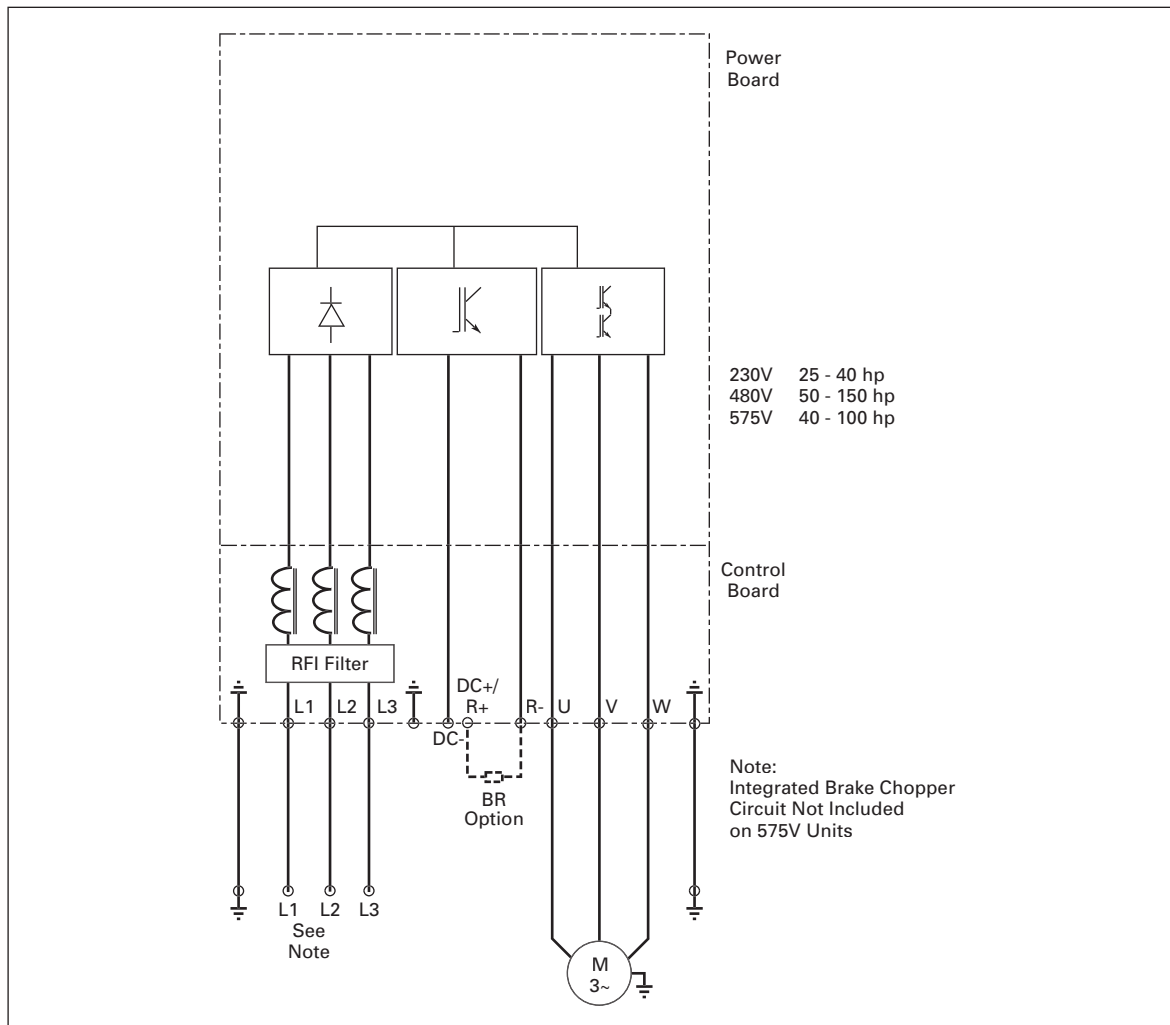


Figure 3-6: Principle Wiring Diagram of HVX Power Unit, FR6, FR7 and FR8

Note: When using a 1-phase supply, for units rated for such, connect the input power to terminals L1 and L2. Refer to **Tables A-2, A-3 and A-4** in **Appendix A**.

August 2006

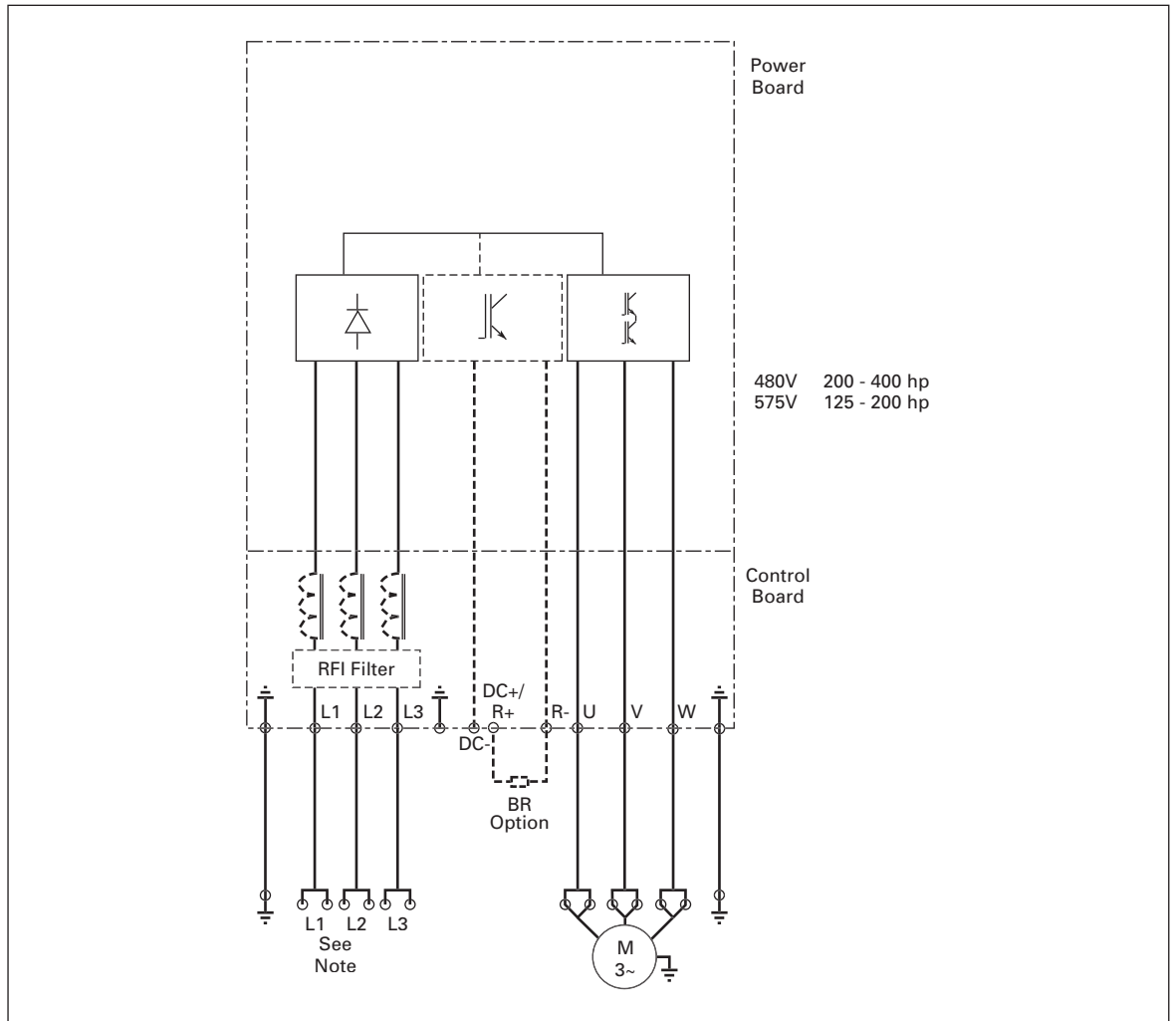


Figure 3-7: Principle Wiring Diagram of HVX Power Unit, FR9 and FR10

The dotted lines refer to components present in FR9 but not in FR10.

Note: When using a 1-phase supply, for units rated for such, connect the input power to terminals L1 and L2. Refer to **Tables A-3 and A-4** in **Appendix A**.

Power and Motor Wiring Terminal Photos

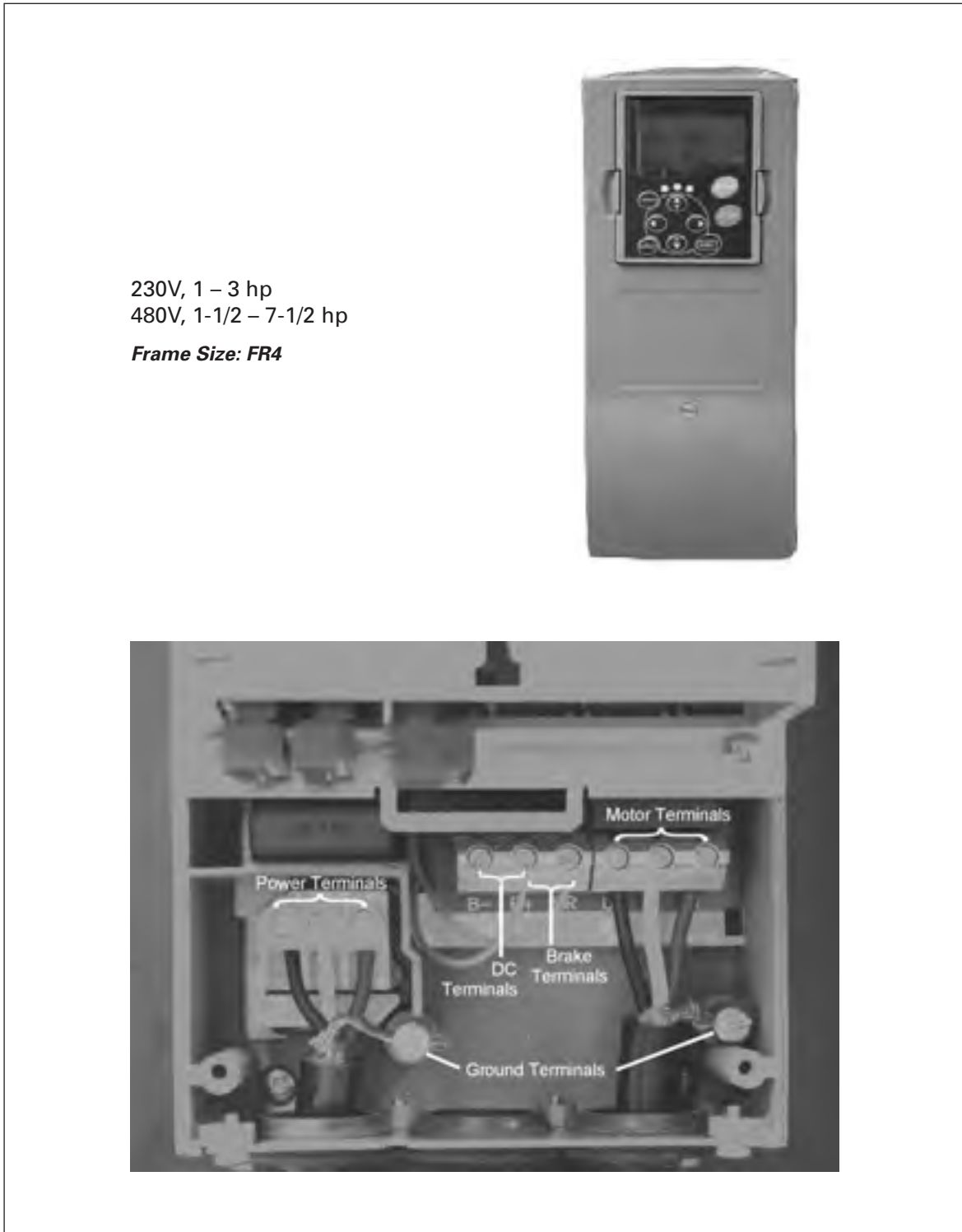


Figure 3-8: FR4 Power and Motor Wiring Terminals

August 2006

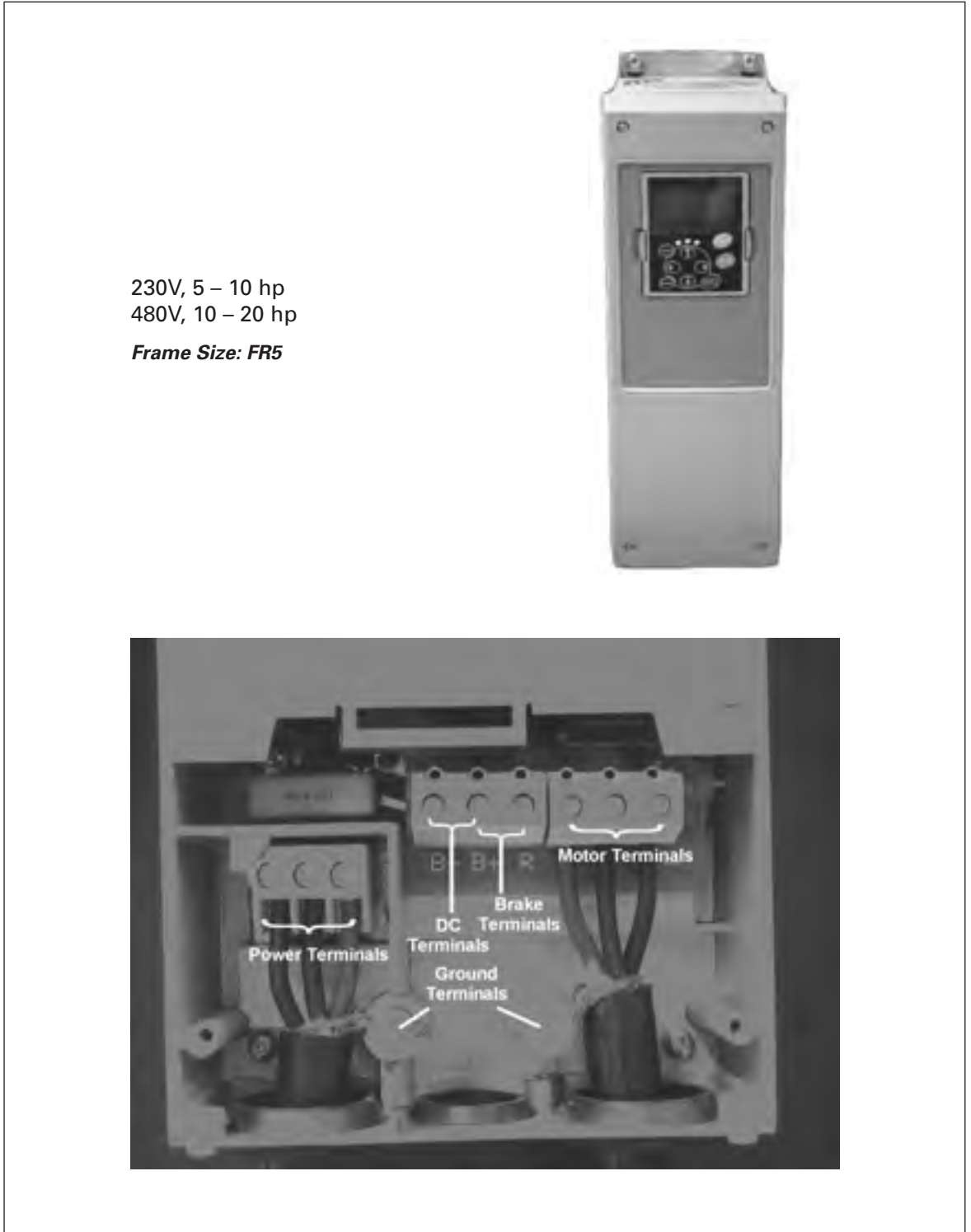


Figure 3-9: FR5 Power and Motor Wiring Terminals

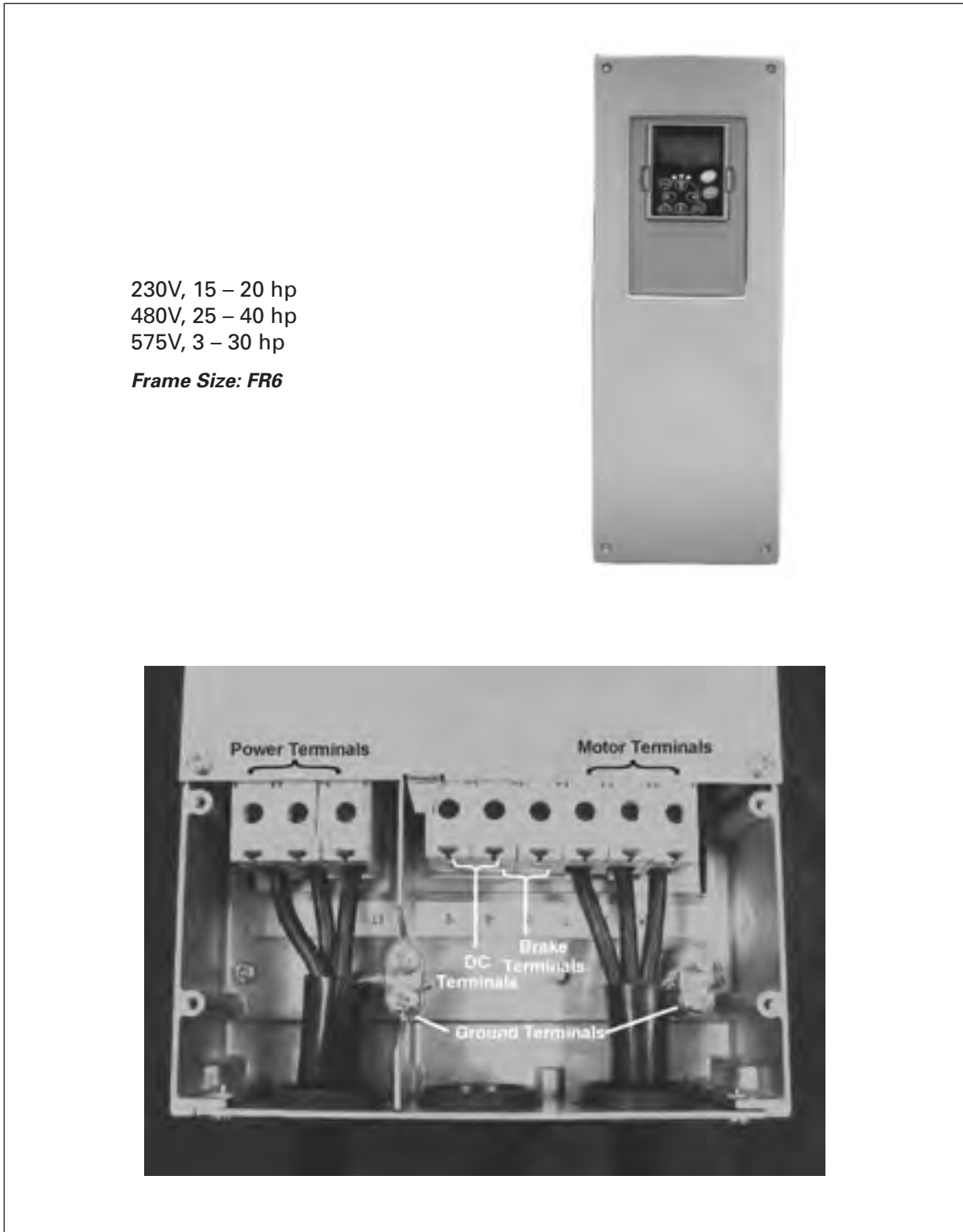


Figure 3-10: FR6 Power and Motor Wiring Terminals

August 2006

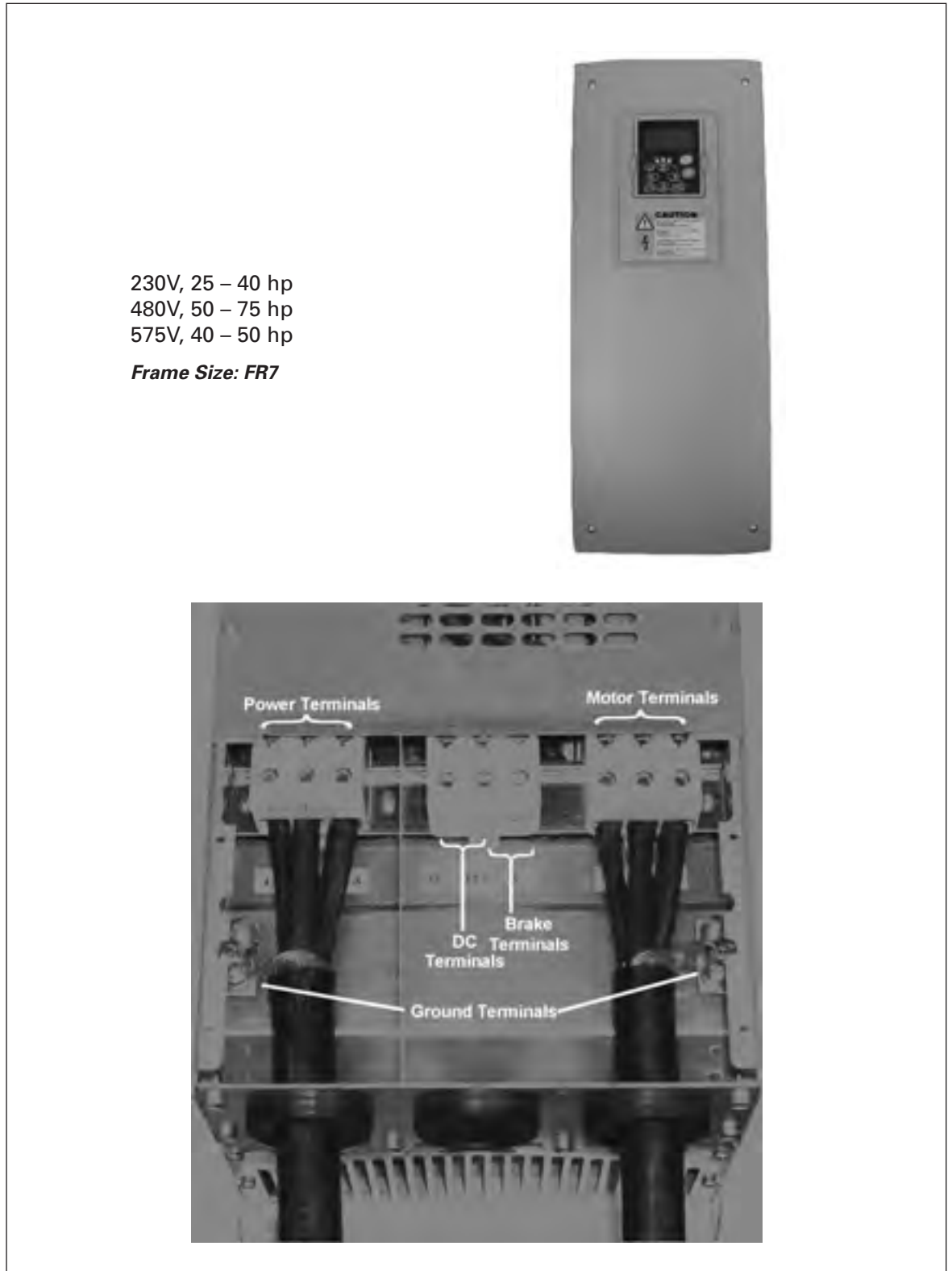


Figure 3-11: FR7 Power and Motor Wiring Terminals

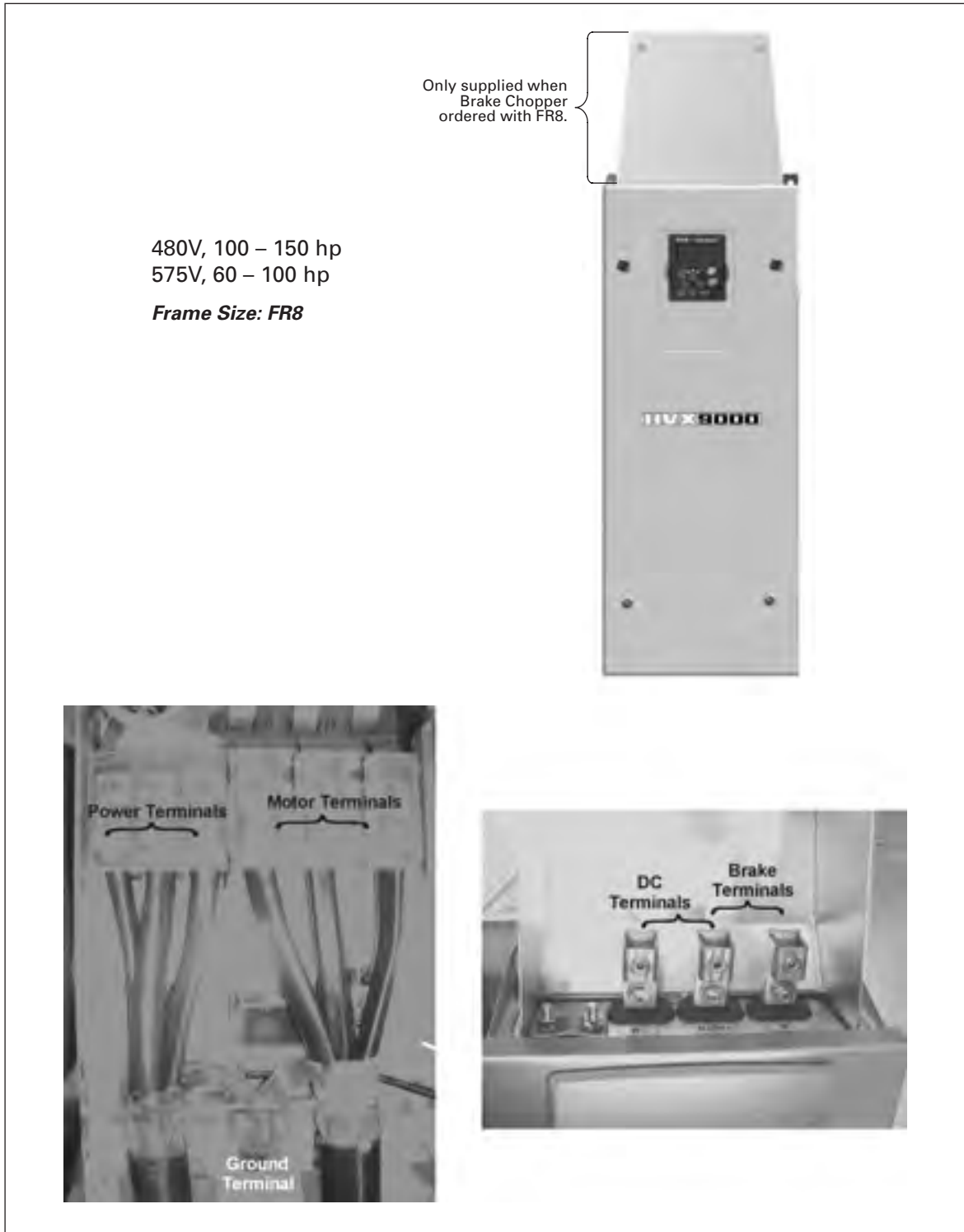


Figure 3-12: FR8 Power and Motor Wiring Terminals

August 2006



Figure 3-13: FR9 Power and Motor Wiring Terminals

Checking the Cable and Motor Insulation

1. Check the motor cable insulation as follows:
 - Disconnect the motor cable from terminals U, V and W of the HVX900 and from the motor.
 - Measure the insulation resistance of the motor cable between each phase conductor as well as between each phase conductor and the protective ground conductor.
 - The insulation resistance must be $>1\text{M}\Omega$.
2. Check the input power cable insulation as follows:
 - Disconnect the input power cable from terminals L1, L2 and L3 of the HVX9000 and from the utility line feeder.
 - Measure the insulation resistance of the input power cable between each phase conductor as well as between each phase conductor and the protective ground conductor.
 - The insulation resistance must be $>1\text{M}\Omega$.
3. Check the motor insulation as follows:
 - Disconnect the motor cable from the motor and open any bridging connections in the motor connection box.
 - Measure the insulation resistance of each motor winding. The measurement voltage must equal at least the motor nominal voltage but not exceed 1000V.
 - The insulation resistance must be $>1\text{M}\Omega$.

August 2006

Chapter 4 — Control Wiring

General Information

The control unit of the HVX9000 drive consists of the control board and various option boards that plug into the five slot connectors (A to E) of the control board.

Galvanic isolation of the control terminals is provided as follows:

- Control connections are isolated from power, and the GND terminals are permanently connected to ground.
- Digital inputs are galvanically isolated from the I/O ground.
- Relay outputs are double-isolated from each other at 300V AC.

Option Board General Information

The HVX9000 Series drives can accommodate a wide selection of *expander* and *adapter boards* to customize the drive for your application needs.

The drive's control unit is designed to accept a total of five option boards. Option boards are available for normal analog and digital inputs and outputs, for communication and for additional application-specific hardware.

The HVX9000 factory installed standard option board configuration includes an A9 I/O board and an A2 relay output board, which are installed in slots A and B. For information on additional option boards, see the 9000X Series Drives Option Board Manual.

Note: If your HVX9000 has been shipped with a factory installed IntelliPass bypass, the B5 option board is installed in slot C.

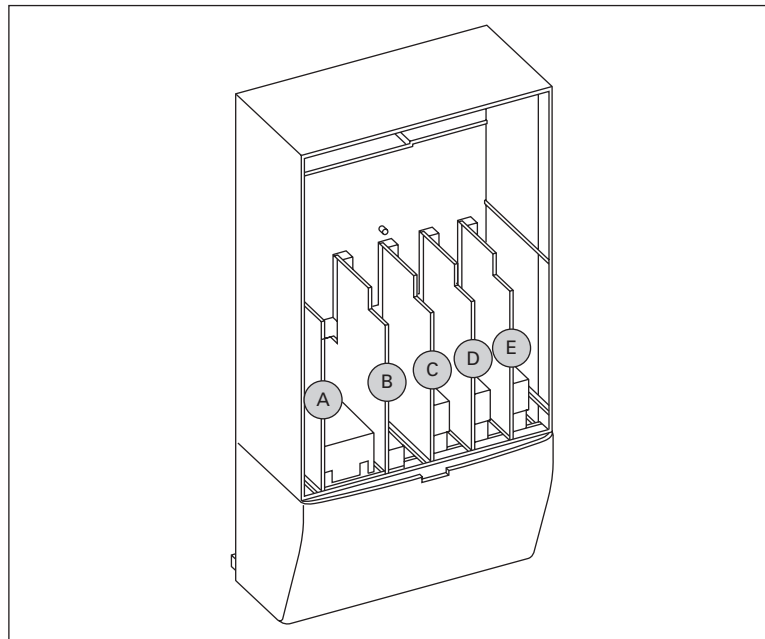


Figure 4-1: Option Board Slots

Control Wiring Guidelines

Wire the control terminals using the following guidelines:



- The control wires shall be at least AWG 20 (0.5 mm²) shielded cables.
- The maximum wire size is AWG 14 (2.5 mm²) for the relay terminals and AWG 16 (1.5 mm²) for all other terminals.
- The tightening torques for the option board terminals are listed in **Table 4-1**.

Table 4-1: Tightening Torques of Terminals

Terminal Screw	Tightening Torque	
	lb-in	Nm
Relay and thermistor terminals (M3 screw)	4.5	0.5
Other terminals (M2.6 screw)	2.2	0.25

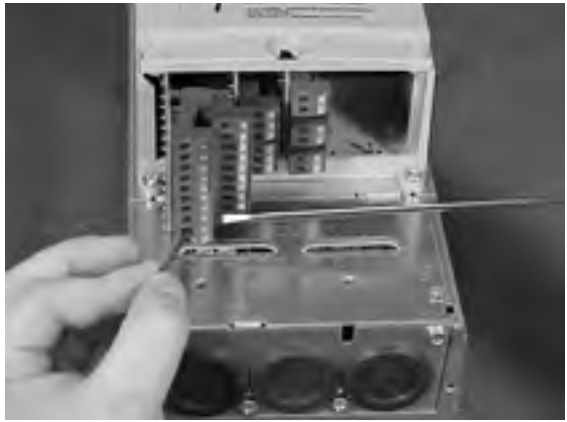
Control Wiring Instructions

Table 4-2: Control Wiring Instructions

<p>1. Unlock the bottom cover by turning the locking screw 90 degrees counterclockwise.</p>	
<p>2. Remove the bottom cover by rotating the cover towards you on the base hinges, then lifting the cover away from the base.</p>	

August 2006

Table 4-2: Control Wiring Instructions (Continued)

<p>3. Wire the control terminals following the details for the specific option boards shown on the following pages.</p> <p>Note: For ease of access, the option board terminal blocks can be unplugged for wiring.</p>	
---	--

Control Wiring Details

Wiring Option Board A9

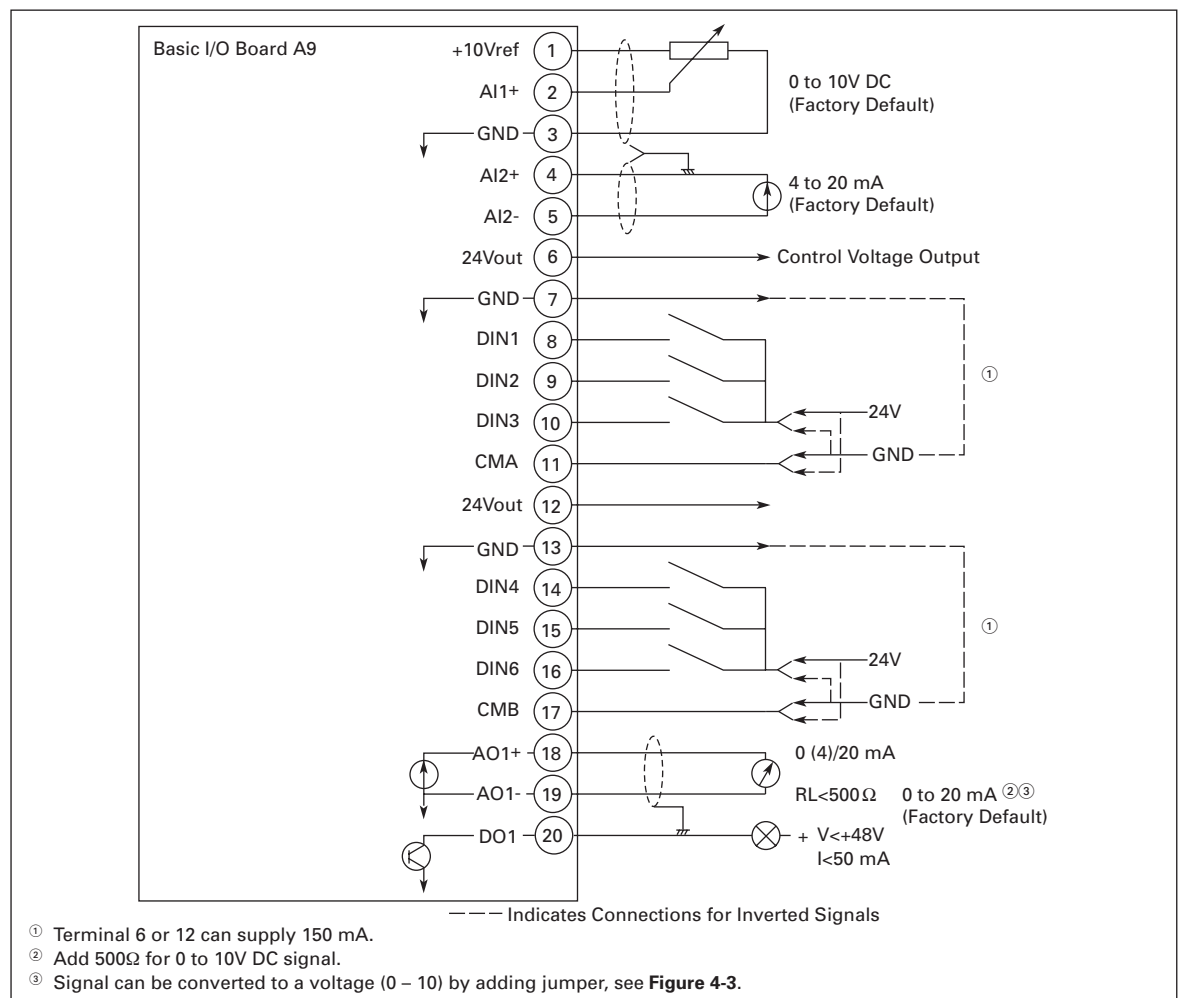


Figure 4-2: Option Board A9 Wiring Diagram

Table 4-3: Option Board A9 Terminal Descriptions

Terminal	Signal	Description and Parameter Reference
1	+10 V _{ref}	Reference voltage Maximum current 10 mA
2	AI1+	Analog input, voltage
3	GND	Analog input common Default: 0 – +10V (R _i = 200 kΩ; -10V to +10V joystick control) 0 – 20 mA (R _i = 250 Ω) <i>Select V or mA with jumper block X1 (Figure 4-3)</i> Differential input if not connected to ground; allows ±20V differential mode voltage to GND
4	AI2+	Analog input
5	GND/ AI2-	Analog input common Default: 0 – 20 mA (R _i = 250 Ω) 0 – +10V (R _i = 200 kΩ; -10V to +10V joystick control) <i>Select V or mA with jumper block X2 (Figure 4-3)</i> Differential input if not connected to ground; allows ±20V differential mode voltage to GND
6	24 V _{out}	24V control voltage (bi-directional) ±15%, 250 mA (all boards total); 150 mA (max. current from single board); Can be used as external power backup for the control (and fieldbus); Galvanically connected to terminal #12
7	GND	I/O ground Ground for reference and controls; Galvanically connected to terminals #13, 19
8	DIN1	Digital input 1 Start R _i = min. 5 kΩ, Programmable
9	DIN2	Digital input 2 Ext Fault Closed ^① R _i = min. 5 kΩ, Programmable
10	DIN3	Digital input 3 Fault Reset R _i = min. 5 kΩ, Programmable
11	CMA	Digital input common A for DIN1, DIN2 and DIN3 Must be connected to GND or 24V of I/O terminal or to external 24V or GND. Selection with jumper block X3. (Figure 4-3)
12	24 V _{out}	24V control voltage (bi-directional) Same as terminal #6; Galvanically connected to terminal #6
13	GND	I/O ground Same as terminal #7; Galvanically connected to terminals #7 & 19
14	DIN4	Digital input 4 Accel/Decel Select R _i = min. 5 kΩ, Programmable
15	DIN5	Digital input 5 PM Setback R _i = min. 5 kΩ, Programmable
16	DIN6	Digital input 6 Speed Select 3 ^① R _i = min. 5 kΩ, Programmable
17	CMB	Digital input common B for DIN4, DIN5 and DIN6 Must be connected to GND or 24V of I/O terminal or to external 24V or GND. Select with jumper block X3. (Figure 4-3)
18	A01+	Analog signal (+output) Output signal range: 0 – 10V default Current: 0(4) – 20 mA, RL max 500 Ω or Voltage: 0 – 10V, RL >1 kΩ: default Selection with jumper block X6. (Figure 4-3)
19	A01-	Analog output common Maximum V _{in} = 48V DC; Galvanically connected to terminals #7, 13
20	DO1	Digital output1 Ready Open collector, Maximum current = 50 mA

^① For IntelliPass, this is programmed for Bypass Overload fault. The bypass must be enabled at least once or Parameter P1.10.3, Auto Bypass, must be enabled for software to automatically change DIN6 programmable selection to "Bypass Overload Fault".

August 2006

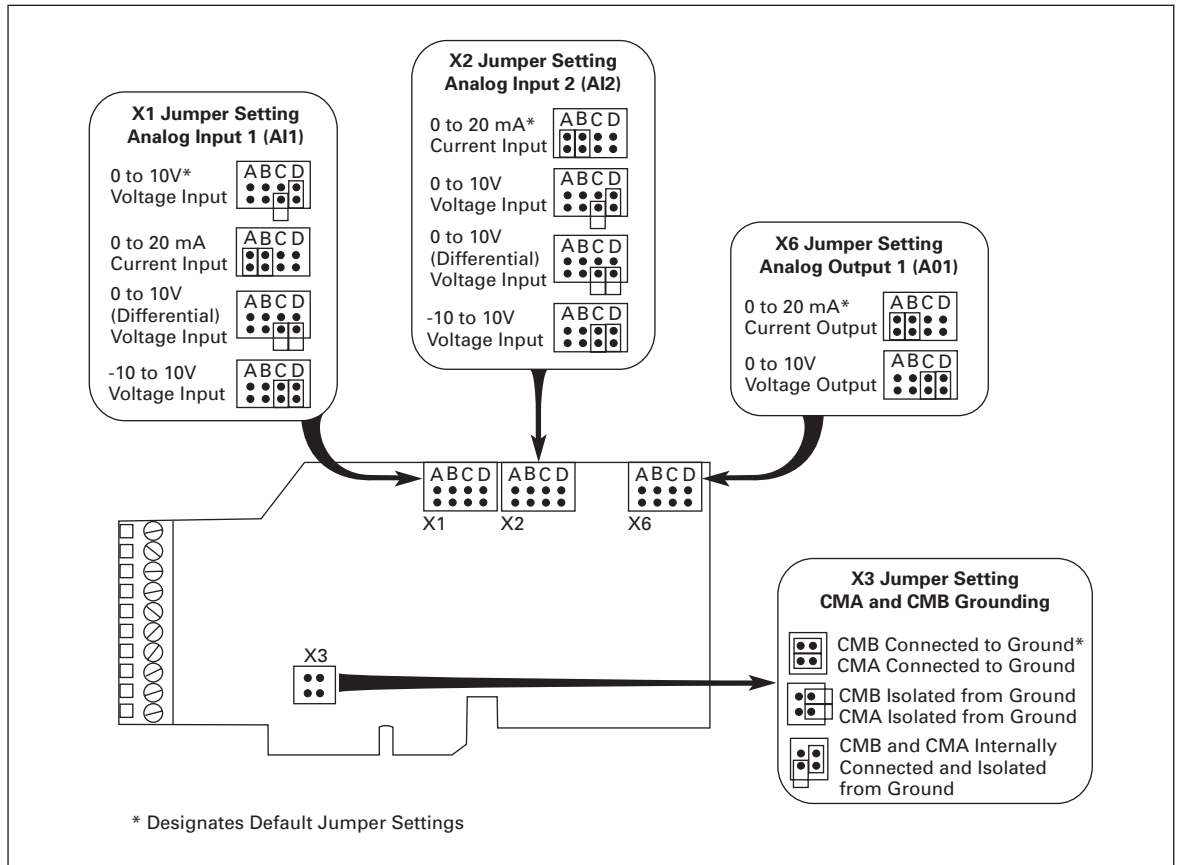


Figure 4-3: Option Board A9 Jumper Location and Settings (Slot A)

Wiring Option Board A2

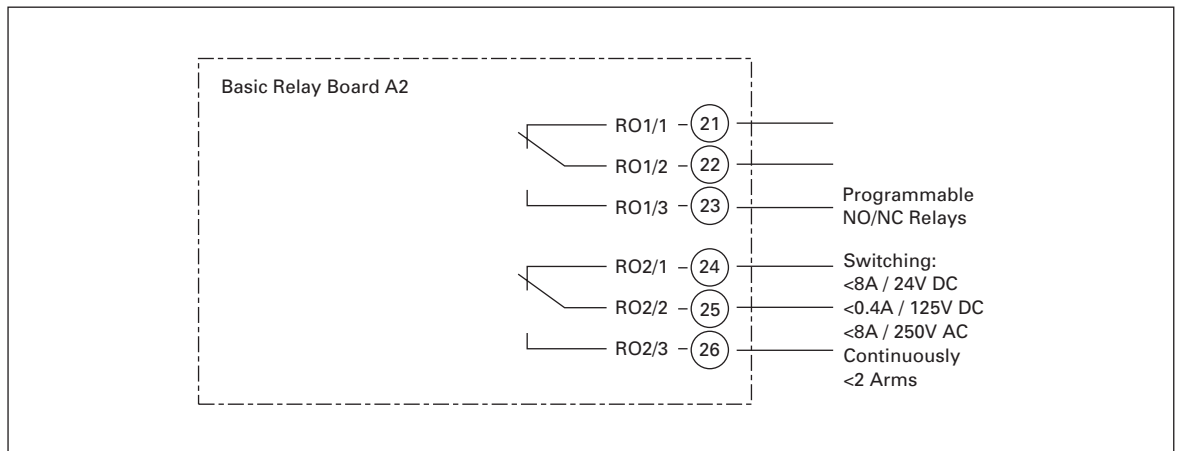


Figure 4-4: Option Board A2 Wiring Diagram (Slot B)

Table 4-4: Option Board A2 Terminal Descriptions

Terminal	Signal	Description and Parameter Reference
21	RO1/1	Run Switching Capacity: 24V DC / 8A 250V AC / 8A 125V DC / 0.4Az Min switching load: 5V/10 mA Continuous Capacity: <2 Arms
22	RO1/2	
23	RO1/3	
24	RO2/1	Fault Switching Capacity: 24V DC / 8A 250V AC / 8A 125V DC / 0.4A Min switching load: 5V/10 mA Continuous Capacity: <2 Arms
25	RO2/2	
26	RO2/3	

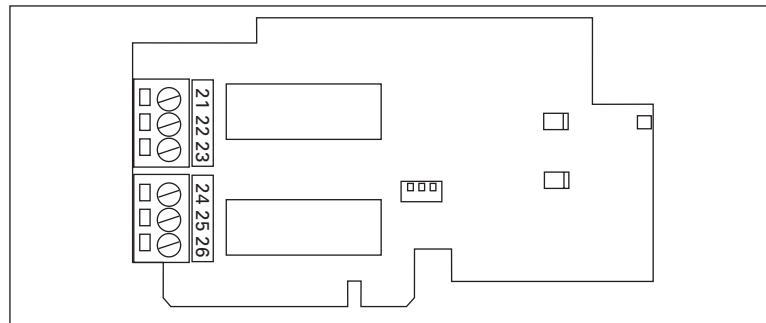


Figure 4-5: Option Board A2 Terminal Locations

Inverting the Digital Input Signal

The active signal level depends on which potential the common inputs CMA and CMB (terminals 11 and 17) are connected to. The alternatives are either +24V or ground (0V). See **Figure 4-6**.

The 24-volt control voltage and the ground for the digital inputs and the common inputs (CMA, CMB) can be either the internal 24V supply or an external supply.

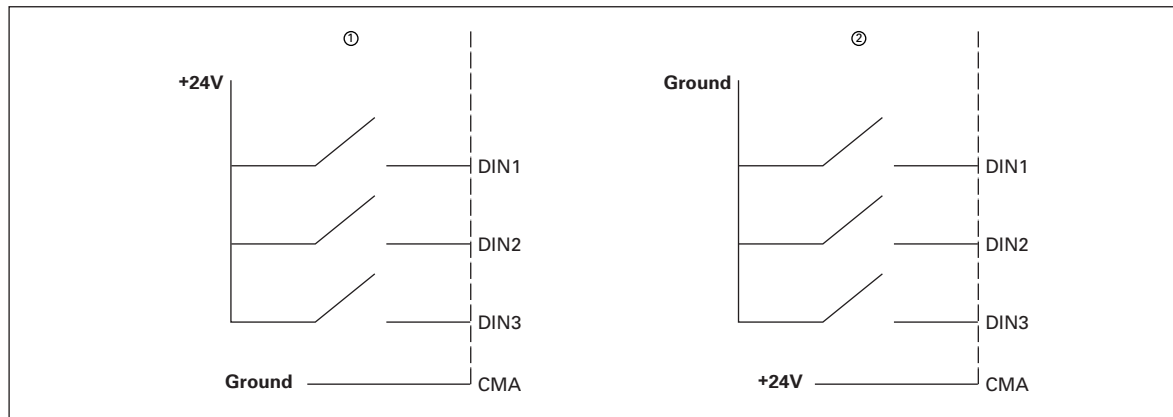


Figure 4-6: Positive/Negative Logic

- ① Positive logic (+24V is the active signal) = the input is active when the switch is closed.
- ② Negative logic (0V is the active signal) = the input is active when the switch is closed.

August 2006

Chapter 5 — IntelliPass Bypass Option

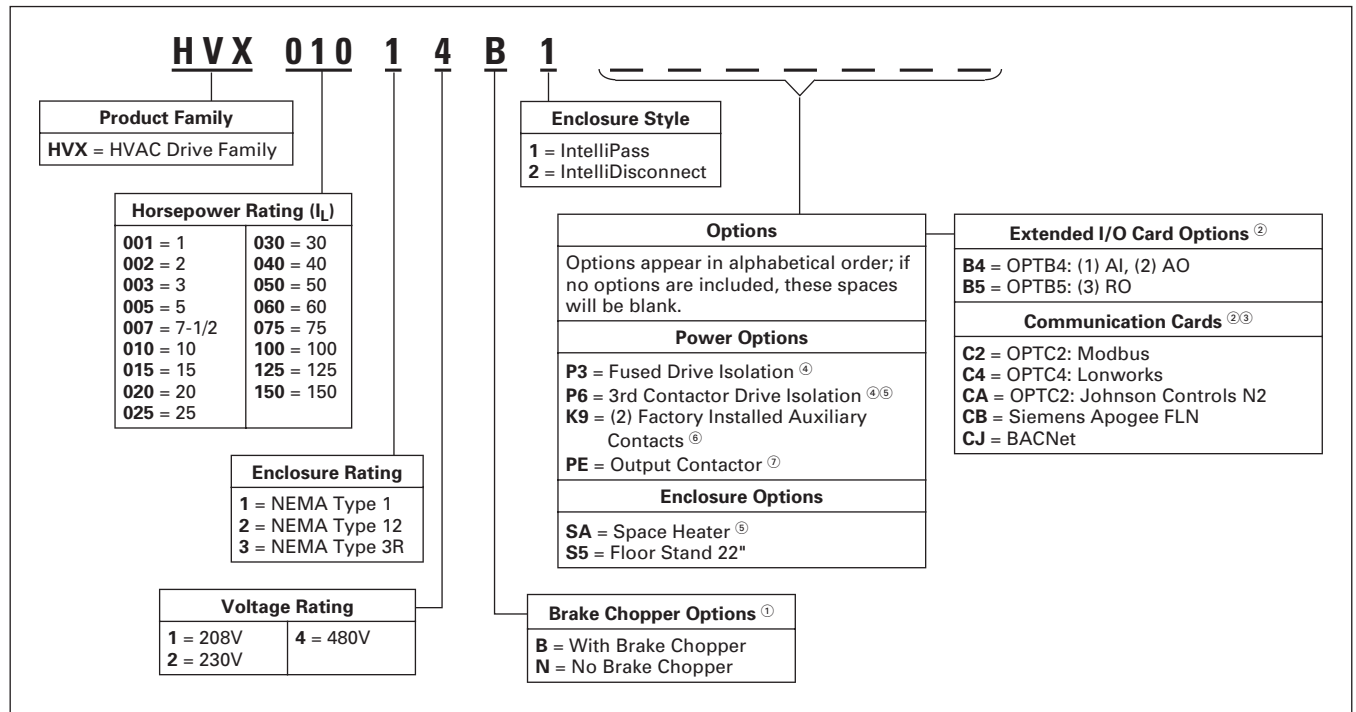
Product Description

The Cutler-Hammer® IntelliPass Drive continues Eaton’s tradition of providing a premier intelligent drive integrated with a reliable bypass configuration, by taking advantage of the Cutler-Hammer Intelligent Technologies (*IT.*), enclosed control and circuit breaker expertise.

The IntelliPass bypass is a two- or three-contactor design utilizing the Cutler-Hammer 24V DC *IT.* series of contactors and power supplies. The *IT.* features, function and form allow the drive and bypass to become an integrated design, enabling Eaton to manufacture the world’s smallest drive and bypass package. The IntelliPass comes standard with a Cutler-Hammer protective disconnect integrated into the drive and bypass design.

Catalog Number Selection

Table 5-1: HVX IntelliPass Drive Catalog Numbering System



① 480V Drives, 1 – 40 hp are only available with Brake Chopper Option **B**.
 480V Drives, 50 – 150 hp are only available with Brake Chopper Option **N**.
 208/230V Drives, 1 – 20 hp are only available with Brake Chopper Option **B**.
 208/230V Drives, 25 – 75 hp are only available with Brake Chopper Option **N**.

② Two slots (D, E) available for expansion cards.
 ③ Only one communication card can be installed at a time.
 ④ Fused Drive Isolation (**P3**) and 3rd Contactor Drive Isolation (**P6**) cannot be installed together in NEMA Type 1 Design.
 ⑤ Space Heater (**SA**) option only applicable in NEMA Type 12/3R enclosures.
 ⑥ IntelliPass Only.
 ⑦ IntelliDisconnect Only.

Dimensions

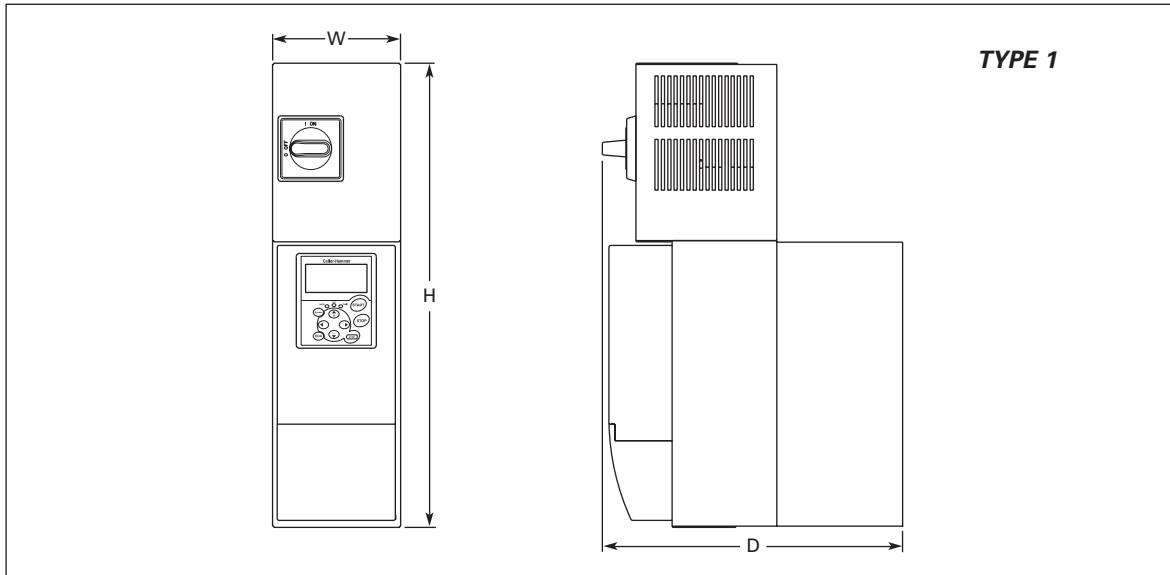


Figure 5-1: HVX IntelliPass/IntelliDisconnect Dimensions

Table 5-2: NEMA TYPE 1 IntelliPass/IntelliDisconnect Drive Dimensions

Frame Size	Voltage AC	hp (I _L)	Approximate Dimensions in Inches (mm)			Weight Lbs. (kg)
			H	W	D	
4	208 230 480	1 – 3 1 – 3 1 – 7-1/2	18.32 (465)	5.05 (128)	12.45 (316)	21.0 (10.0)
5	208 230 480	5 – 10 5 – 10 10 – 20	23.68 (601)	5.40 (137)	15.34 (390)	35.0 (16.0)
6	208 230 480	15, 20 15, 20 25 – 40	30.25 (768)	7.5 (191)	15.02 (382)	67.0 (30.0)
7	208 230 480	25, 30 25, 30 50 – 75	38.27 (972)	9.1 (231)	15.02 (382)	108 (49)

August 2006

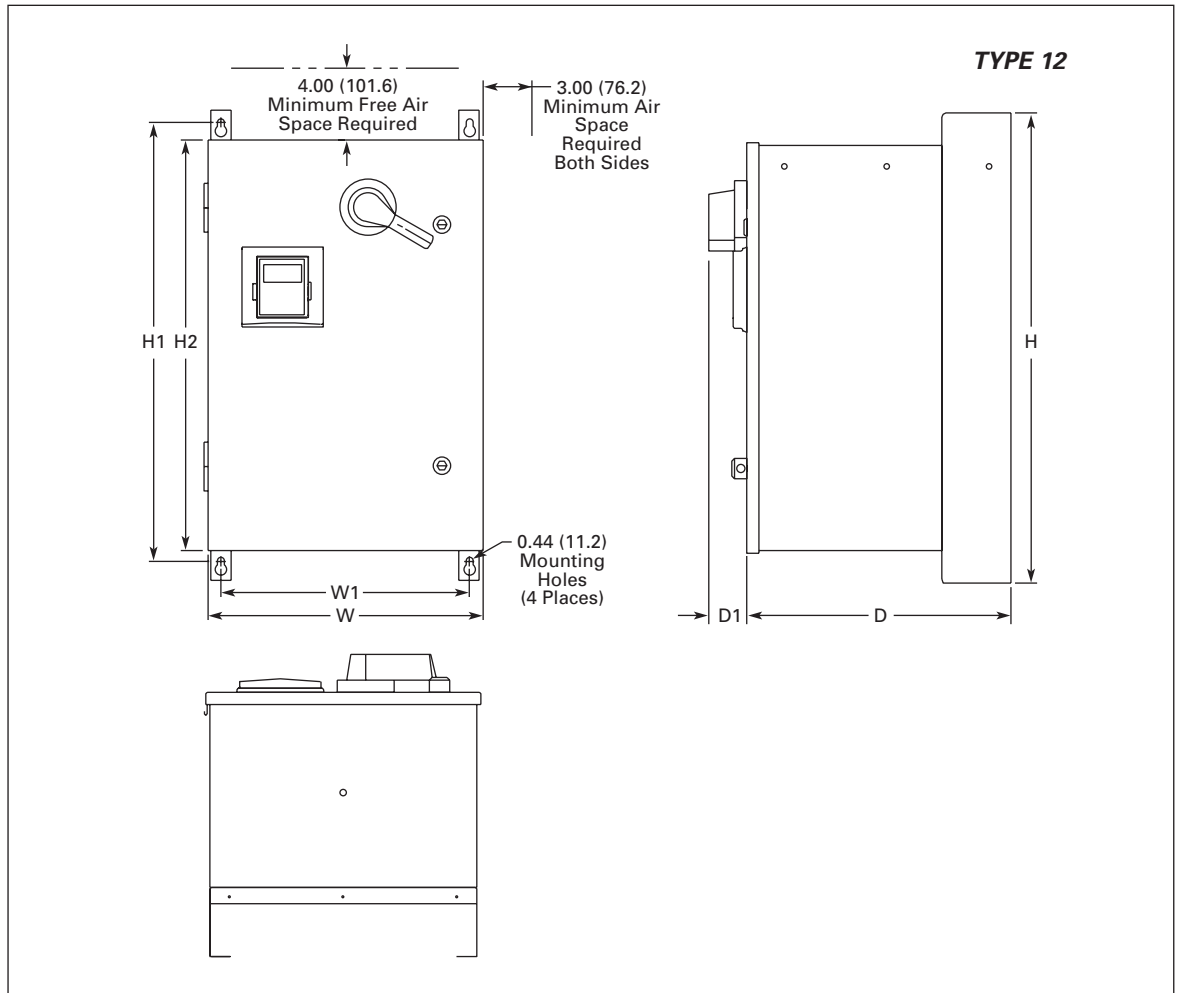


Figure 5-2: HVX Series Enclosed Drive Dimensions — Box A

Table 5-3: HVX Series TYPE 12 Enclosed IntelliPass/IntelliDisconnect Drive Dimensions

Voltage AC	hp (I _L)	Approximate Dimensions in Inches (mm)							Approx. Weight Lbs. (kg)	Approx. Ship Weight Lbs. (kg)
		H	H1	H2	W	W1	D	D1		
208V	1 – 15	29.00	27.00	25.35	16.92	15.30	16.26	2.34	120	160
230V	1 – 15	(736.6)	(685.8)	(643.9)	(429.8)	(388.6)	(413.0)	(59.4)	(54)	(73)
480V	1 – 30									

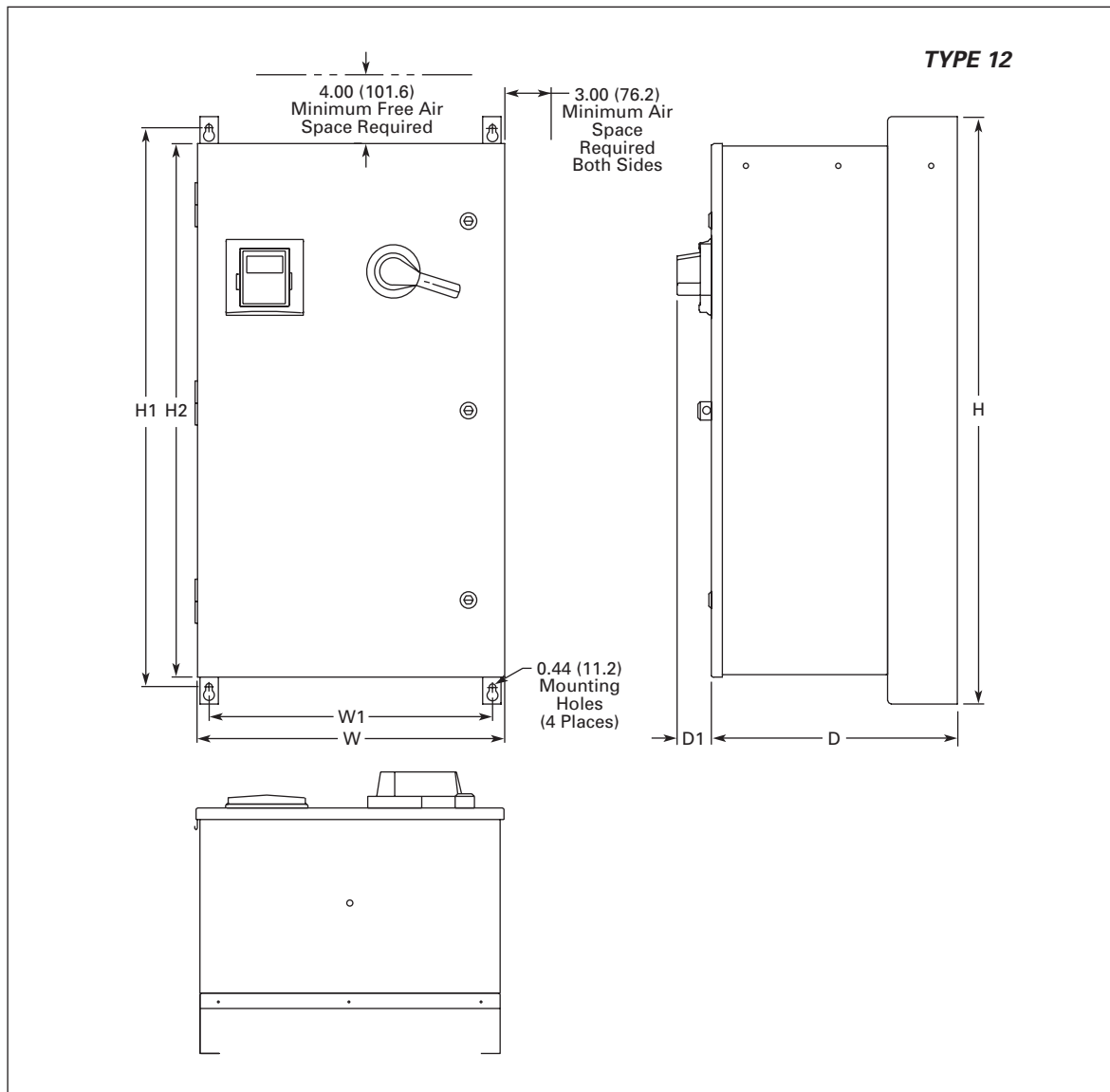


Figure 5-3: HVX Series Enclosed Drive Dimensions — Box B

Table 5-4: HVX Series TYPE 12 Enclosed IntelliPass/IntelliDisconnect Drive Dimensions

Voltage AC	hp (I _L)	Approximate Dimensions in Inches (mm)							Approx. Weight Lbs. (kg)	Approx. Ship Weight Lbs. (kg)
		H	H1	H2	W	W1	D	D1		
208V	20 – 30	40.00 (1016.0)	38.00 (965.2)	36.35 (923.3)	20.92 (531.4)	19.30 (490.2)	16.76 (425.7)	2.34 (59.4)	185 (84)	229 (104)
230V	20 – 30									
480V	40 – 75									

August 2006

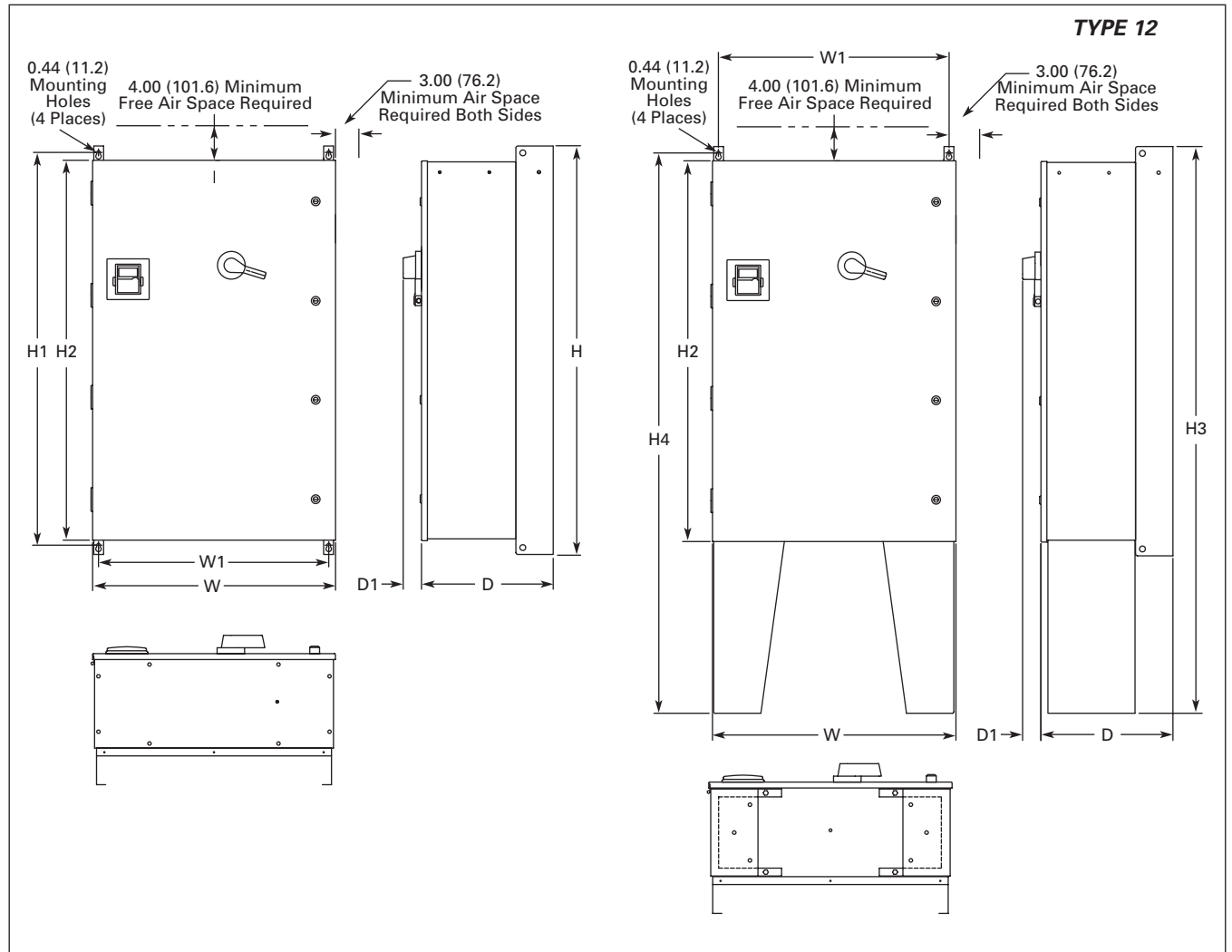


Figure 5-4: HVX Series Enclosed Drive Dimensions — Box C

Table 5-5: HVX Series TYPE 12 Enclosed IntelliPass/IntelliDisconnect Drive Dimensions

Voltage AC	hp (I _L)	Approximate Dimensions in Inches (mm)									Approx. Weight Lbs. (kg)
		H	H1	H2	H3	H4	W	W1	D	D1	
208V	40 – 60	52.00	50.00	48.35	72.00	71.19	30.92	29.30	16.78	2.34	①
230V	40 – 75	(1320.8)	(1270.0)	(1228.1)	(1828.8)	(1808.2)	(785.4)	(744.2)	(426.2)	(59.4)	
480V	100 – 150										

① Consult Factory.

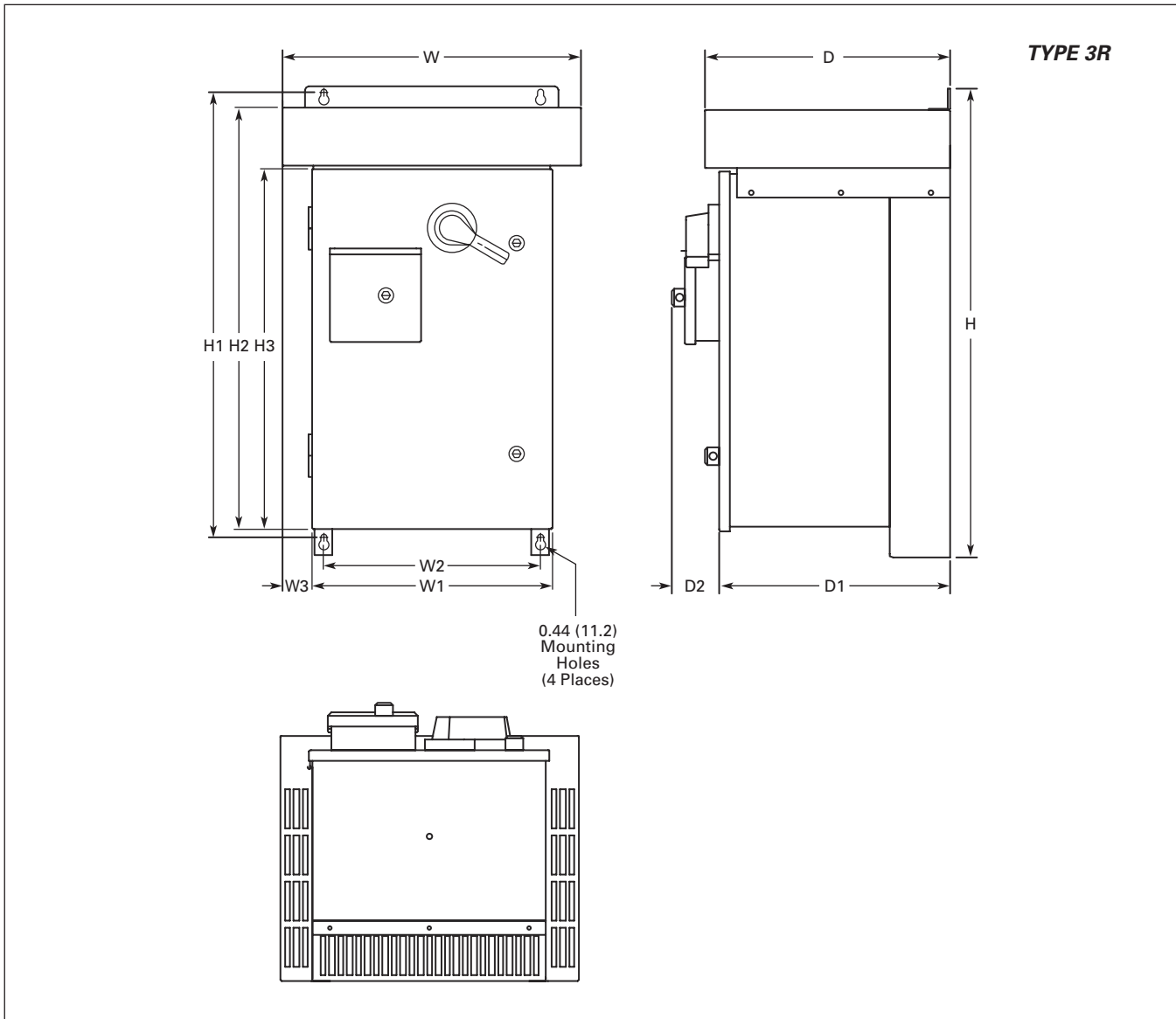


Figure 5-5: HVX Series Enclosed Drive Dimensions — Box A

Table 5-6: HVX Series TYPE 3R Enclosed IntelliPass/IntelliDisconnect Drive Dimensions

Voltage AC	hp (I _L)	Approximate Dimensions in Inches (mm)											Approx. Weight Lbs. (kg)	Approx. Ship Weight Lbs. (kg)
		H	H1	H2	H3	W	W1	W2	W3	D	D1	D2		
208V	1 – 15	33.00	31.36	29.67	25.35	21.05	16.92	15.30	2.07	17.24	16.26	3.31	170	215
230V	1 – 15	(838.2)	(796.5)	(753.6)	(643.9)	(534.7)	(429.8)	(388.6)	(52.6)	(437.9)	(413.0)	(84.1)	(77)	(98)
480V	1 – 30													

August 2006

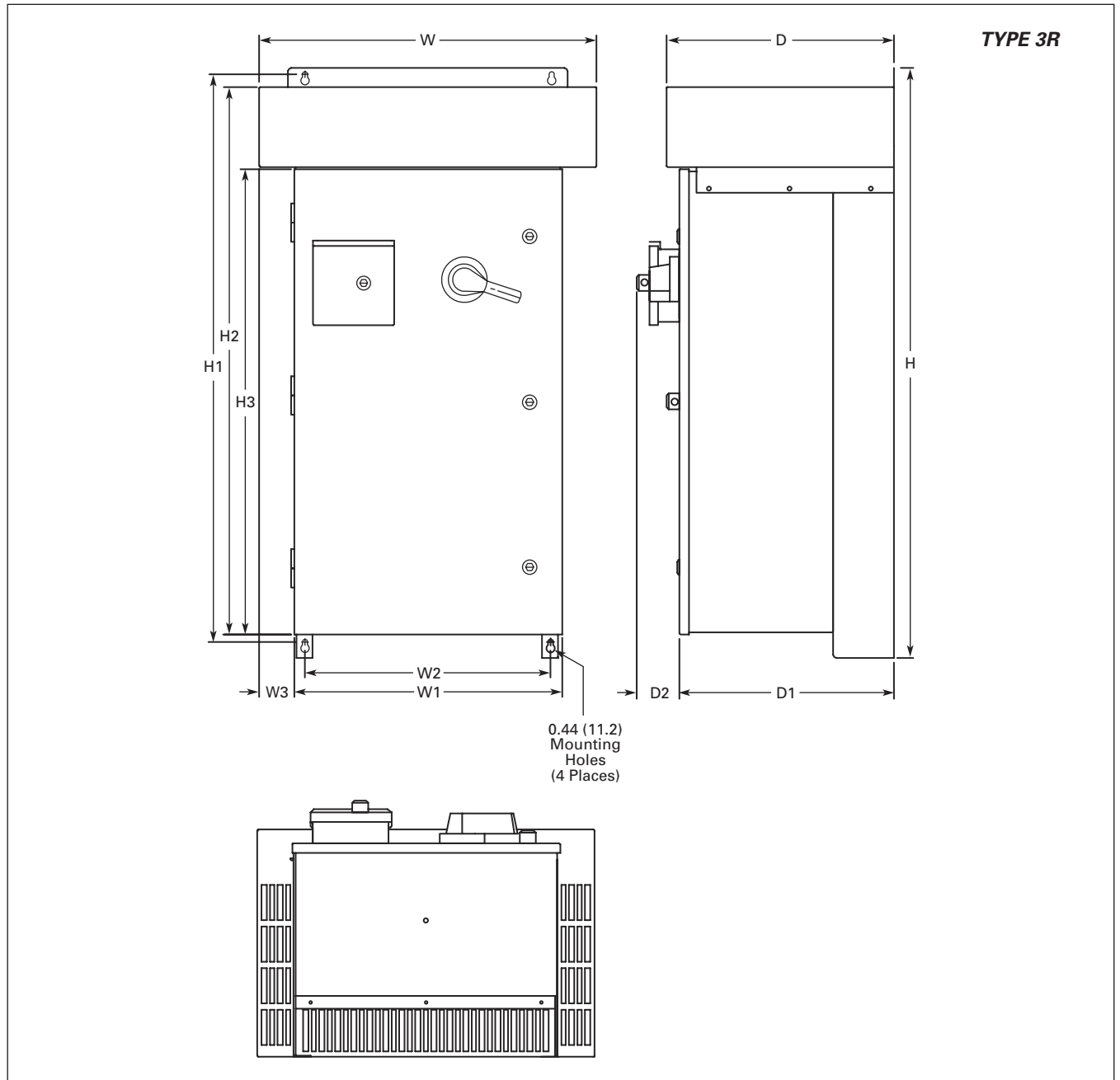


Figure 5-6: HVX Series Enclosed Drive Dimensions — Box B

Table 5-7: HVX Series TYPE 3R Enclosed IntelliPass/IntelliDisconnect Drive Dimensions

Voltage AC	hp (I _L)	Approximate Dimensions in Inches (mm)											Approx. Weight Lbs. (kg)	Approx. Ship Weight Lbs. (kg)
		H	H1	H2	H3	W	W1	W2	W3	D	D1	D2		
208V	20 – 30	46.09	44.45	42.77	36.35	26.31	20.92	19.30	2.69	17.74	16.76	3.31	235	290
230V	20 – 30	(1170.7)	(1129.0)	(1086.4)	(923.3)	(668.3)	(531.4)	(490.2)	(68.3)	(450.6)	(425.7)	(84.1)	(107)	(132)
480V	40 – 75													

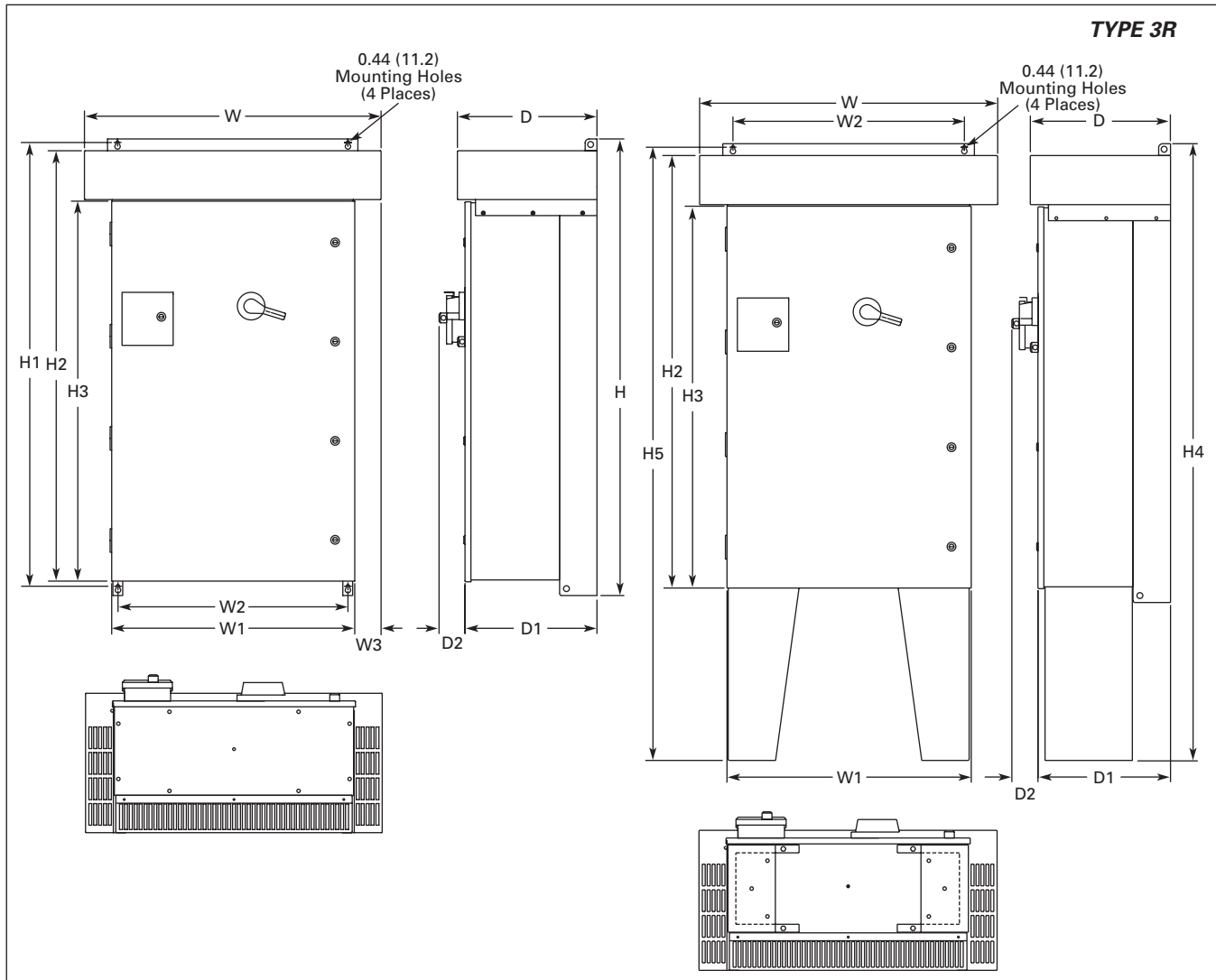


Figure 5-7: HVX Series Enclosed Drive Dimensions — Box C

Table 5-8: HVX Series TYPE 3R Enclosed IntelliPass/IntelliDisconnect Drive Dimensions

Voltage AC	hp (I _L)	Approximate Dimensions in Inches (mm)						Approx. Weight Lbs. (kg)
		H	H1	H2	H3	H4	H5	
208V	40 – 60	58.09	56.45	54.77	48.35	78.09	77.64	①
230V	40 – 75	(1475.5)	(1433.8)	(1391.2)	(1228.1)	(1983.5)	(1972.1)	
480V	100 – 150							

① Consult Factory.

Table 5-8: HVX Series TYPE 3R Enclosed IntelliPass/IntelliDisconnect Drive Dimensions, continued

Voltage AC	hp (I _L)	Approximate Dimensions in Inches (mm)						
		W	W1	W2	W3	D	D1	D2
208V	40 – 60	37.73	30.92	29.30	3.34	17.74	16.77	3.31
230V	40 – 75	(958.3)	(785.4)	(744.2)	(84.8)	(450.6)	(426.0)	(84.1)
480V	100 – 150							

August 2006

Power Wiring

IntelliPass Power Wiring for TYPE 3R and 12

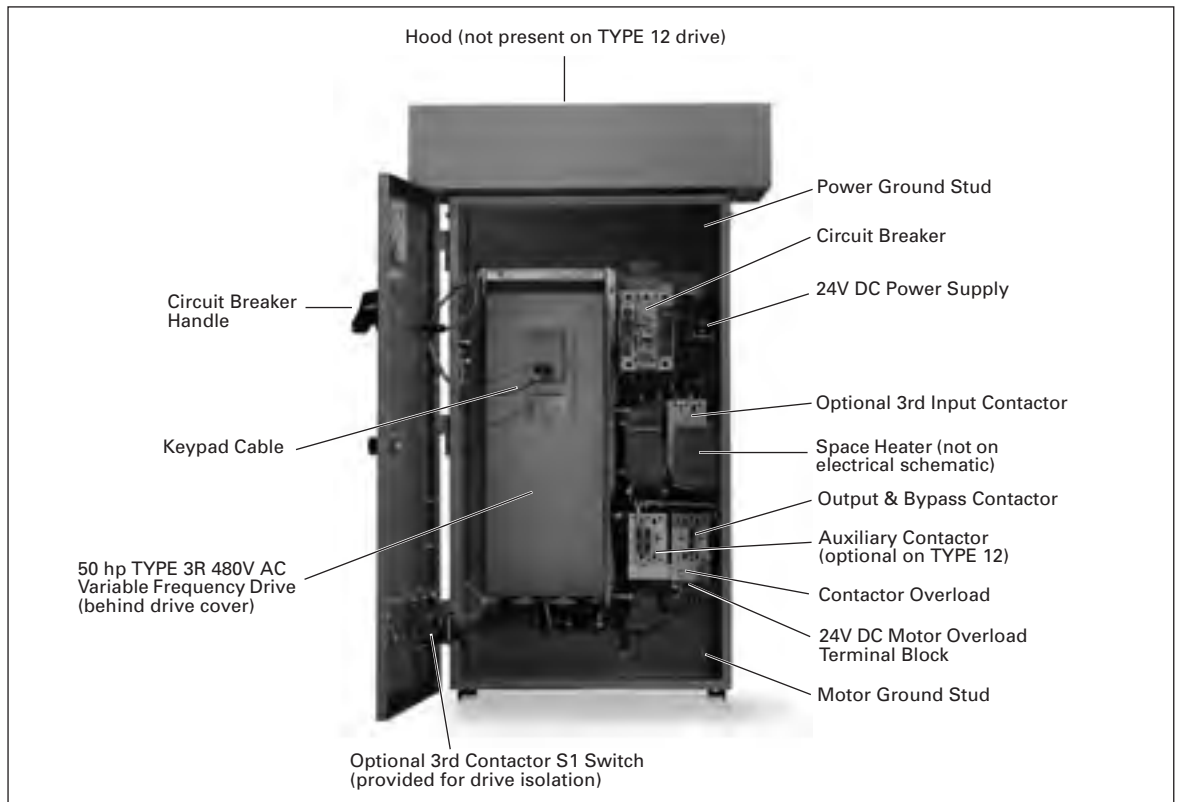


Figure 5-8: Identification of TYPE 3R Components

Note: You will need to consult the electrical schematic supplied with the drive and the appropriate wiring diagram.

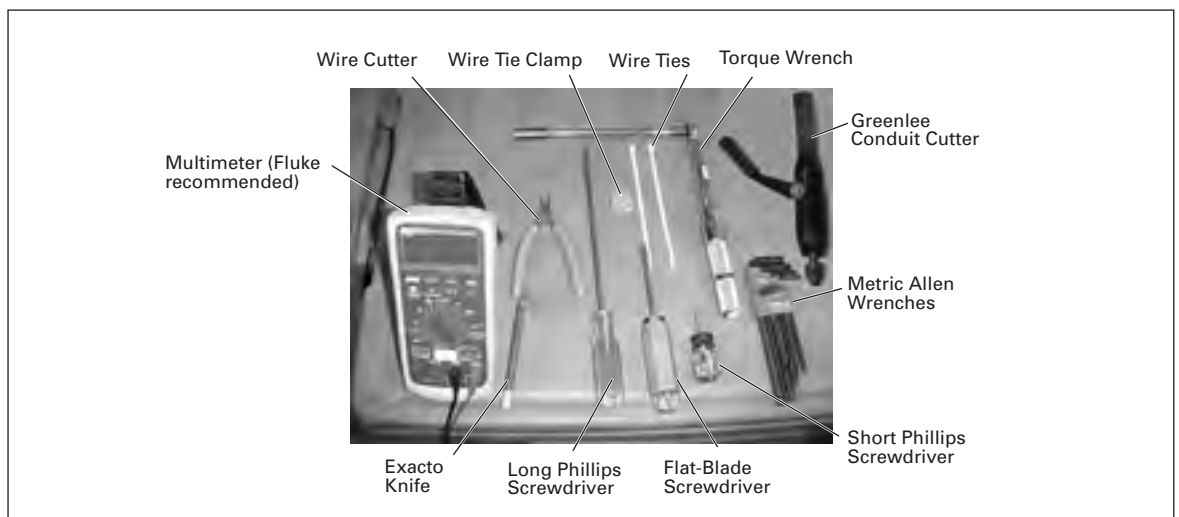
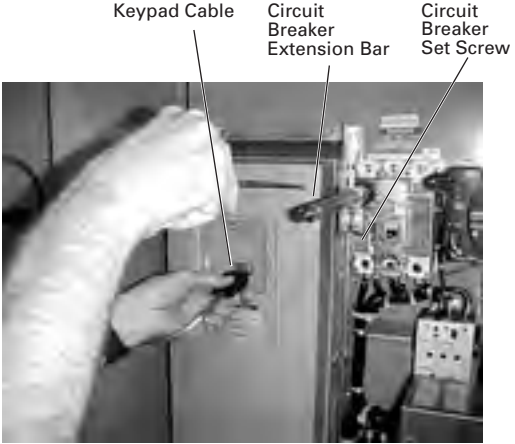



Figure 5-9: Tools Required

Table 5-9: Bypass Power Wiring Instructions — TYPE 3R and 12

<ol style="list-style-type: none"> 1. Verify that the main power source is removed upstream. 2. Remove the keypad cable from the drive. 3. Remove the screws from the drive cover, and remove the cover. <hr/> <p style="text-align: center;">⚠ CAUTION</p> <hr/> <p>The circuit breaker extension bar is sharp and can cause injury.</p> <ol style="list-style-type: none"> 4. Calibrate the circuit breaker amperage, so it is four to six times the value on the motor nameplate, by turning the red set screw located below the circuit breaker extension bar. See the circuit breaker user's manual supplied with the drive. 	
<ol style="list-style-type: none"> 5. Using a Greenlee conduit cutter (recommended), cut three holes in the drive's enclosure for the incoming power, motor and low-voltage control leads. <p>Note: Power, motor and control leads must each be located in separate conduit.</p> <ol style="list-style-type: none"> 6. Connect the incoming power leads to circuit breaker terminals labeled L1, L2 and L3. 7. Using the torque wrench, tighten each terminal to the torque value found in the appropriate user's manual supplied with the drive. 8. Connect the power ground wire to the ground stud. 	

August 2006

Table 5-9: Bypass Power Wiring Instructions — TYPE 3R and 12, continued


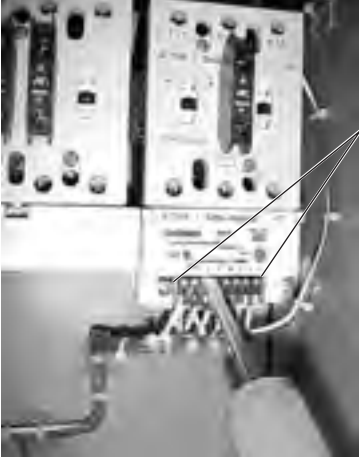
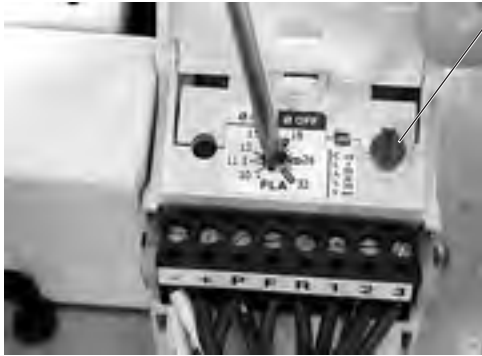
<p>9. If applicable, set the space heater. See the space heater user's manual supplied with the drive.</p> <p>Note: The space heater is used to prevent condensation from damaging the equipment when the drive is not operating (OFF).</p>	 <p>Space Heater Set Knob</p>
<p>10. Use your first and second fingers and simultaneously push down to release the two orange retaining clips (one on each side of the 24V DC motor overload terminal block).</p> <p>11. If necessary, use a flat-blade screwdriver to carefully remove the terminal block in a straight plane to avoid damaging it.</p>	 <p>Orange Retaining Clips</p>
<p>12. Lift to open the cover on the motor overload, and use a flat-blade screwdriver to set the overload amperage to match the value on the motor nameplate.</p> <p>13. Turn the auto/manual reset (factory default is manual) on the motor overload 90° to the auto position.</p>	 <p>Auto/Manual Reset</p>

Table 5-9: Bypass Power Wiring Instructions — TYPE 3R and 12, continued

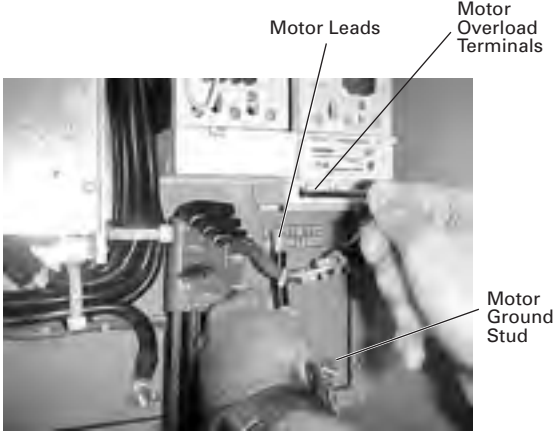

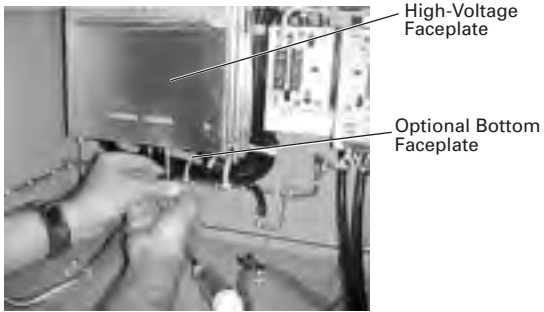
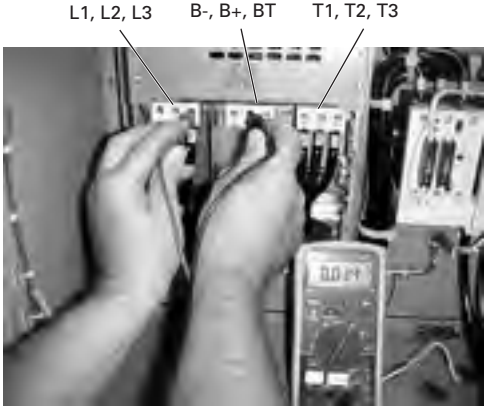


<p>14. Connect the motor leads to the motor overload terminals labeled 1TA, 1TB and 1TC.</p> <p>15. Using the appropriate metric Allen wrench (2.5 mm, 3 mm or 4 mm), tighten each overload terminal per the specifications in the contactor user's manual.</p> <hr/> <p style="text-align: center;">⚠ CAUTION</p> <hr/> <p>An English Allen wrench will damage the terminals, and the motor overload will need to be replaced (not covered by warranty).</p> <p>16. Using the torque wrench, tighten each terminal to the torque value found in the appropriate user's manual supplied with the drive.</p> <p>17. Reinsert the motor overload terminal block.</p> <p>18. Connect the motor ground wire to the ground stud.</p>	
<p>19. Use a flat-blade screwdriver to carefully remove the low-voltage I/O terminal block.</p> <p>20. Insert the incoming control leads into the terminal block. Refer to the electrical schematic supplied with the drive.</p> <p>21. Reinsert the I/O terminal block into the control board.</p>	

Table 5-9: Bypass Power Wiring Instructions — TYPE 3R and 12, continued

<p>22. Use a Phillips screwdriver to remove all the faceplate screws on the high-voltage faceplate, and remove the faceplate.</p> <p>Note: Location of the screws may vary from the drive illustrated. There may be screws securing a bottom faceplate, which also need to be removed.</p>	
<p>23. Make sure power is off, and perform static checks as described in Table 5-10 (for the converter), Table 5-11 (for the inverter) and Table 5-12 (for the DC bus).</p> <p>Note: Static check shown is for L3 and B+ terminals.</p> <p>24. Once the pre-power static checks are completed, reinstall the faceplate and drive cover, tightening all the screws.</p> <p>25. Reinsert the keypad cable.</p>	
<p>26. Make sure that the drive's 3rd contactor S1 switch, if present, is in the ON position (shown in OFF position).</p> <p>Note: The bypass mode operates with the switch in the OFF position, however the drive will not run. Yet the keypad will operate.</p>	
<p>27. Close the drive door, and turn the circuit breaker handle in a clockwise direction.</p> <p>Note: If the circuit breaker latch is locked, use a flat-blade screwdriver to turn the screw to release the handle.</p> <hr/> <p style="text-align: center;">⚠ WARNING</p> <p>High voltage</p> <ul style="list-style-type: none"> • Always work with another person • Be sure equipment is properly grounded • Wear safety glasses 	

Static Checking

Static checking tests the integrity of the power-carrying components (diodes, capacitors and IGBTs) within the drive assembly. Performing these static checks ensures that no damage occurred during shipping or installation that could cause a failure when the drive is powered.



IMPORTANT

Make sure there is no power to the drive before proceeding with any of the static checks.

After checking each set of terminals, zero out the multimeter by touching the metal tips of the red (positive) and black (negative) leads to each other.

Note: Set the multimeter to the diode function, and check each power terminal consecutively with each DC bus terminal as indicated in **Table 5-10**.

Table 5-10: Static Checks of Converter

DC Bus Terminal	Power Terminal			Multimeter Reading
	L1	L2	L3	
B+ (1st Overload Check) Insert red (+) multimeter lead.	Insert black (-) multimeter lead.	Insert black (-) multimeter lead.	Insert black (-) multimeter lead.	.OL
B- (2nd Overload Check) Insert black (-) multimeter lead.	Insert red (+) multimeter lead.	Insert red (+) multimeter lead.	Insert red (+) multimeter lead.	.OL
B- (1st Voltage Check) Insert red (+) multimeter lead.	Insert black (-) multimeter lead.	Insert black (-) multimeter lead.	Insert black (-) multimeter lead.	.25 – .55V DC (±10%)
B+ (2nd Voltage Check) Insert black (-) multimeter lead.	Insert red (+) multimeter lead.	Insert red (+) multimeter lead.	Insert red (+) multimeter lead.	.25 – .55V DC (±10%)

Note: Set the multimeter to the diode function, and check each motor terminal consecutively with each DC bus terminal as indicated in **Table 5-11**.

Table 5-11: Static Checks of Inverter

DC Bus Terminal	Motor Terminal			Multimeter Reading
	T1	T2	T3	
B+ (1st Overload Check) Insert red (+) multimeter lead.	Insert black (-) multimeter lead.	Insert black (-) multimeter lead.	Insert black (-) multimeter lead.	.OL
B- (2nd Overload Check) Insert black (-) multimeter lead.	Insert red (+) multimeter lead.	Insert red (+) multimeter lead.	Insert red (+) multimeter lead.	.OL
B- (1st Voltage Check) Insert red (+) multimeter lead.	Insert black (-) multimeter lead.	Insert black (-) multimeter lead.	Insert black (-) multimeter lead.	.25 – .40V DC (±10%)
B+ (2nd Voltage Check) Insert black (-) multimeter lead.	Insert red (+) multimeter lead.	Insert red (+) multimeter lead.	Insert red (+) multimeter lead.	.25 – .40V DC (±10%)

August 2006

Note: Set the multimeter to the ohm function, and check the power ground terminal and DC bus terminals as indicated in **Table 5-12**.

Table 5-12: Static Checks of DC Bus

DC Bus Terminal	DC Bus Terminal (B-)	Ground Terminal (Power)	Multimeter Reading
B+ (Overload Check) Insert red (+) multimeter lead.	Insert black (-) multimeter lead.	Not used.	.OL
B+ (1st Ohm Check) Insert black (-) multimeter lead.	Not used.	Insert red (+) multimeter lead.	O.L
B- (2nd Ohm Check) Insert black (-) multimeter lead.	Not used.	Insert red (+) multimeter lead.	O.L

Figure 5-10 is a detailed schematic to aid in performing the static checks.

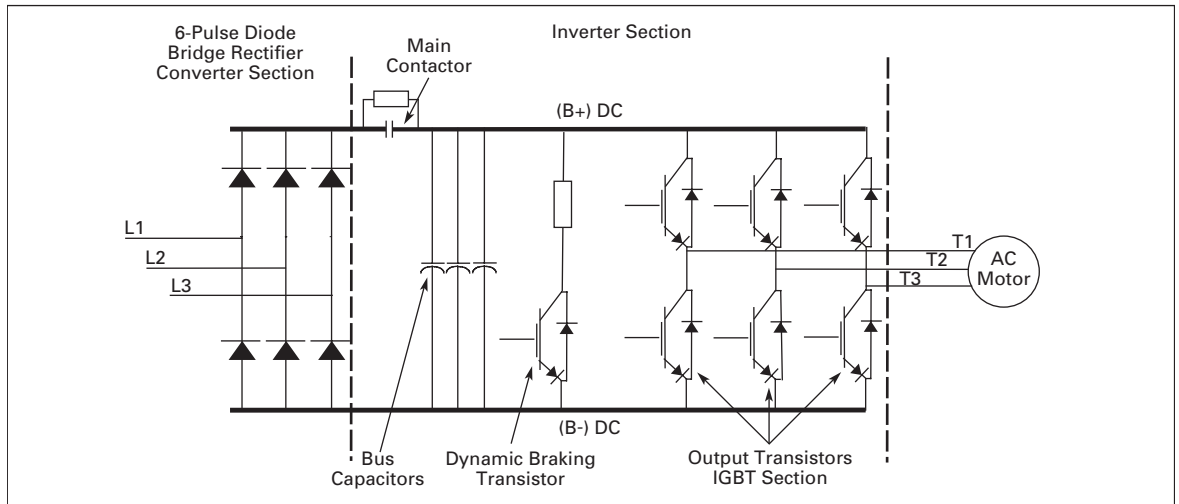


Figure 5-10: Schematic for Static Checks

IntelliPass Power Wiring for TYPE 1

Use the same tools shown in **Figure 5-9** to install a TYPE 1 Drive.

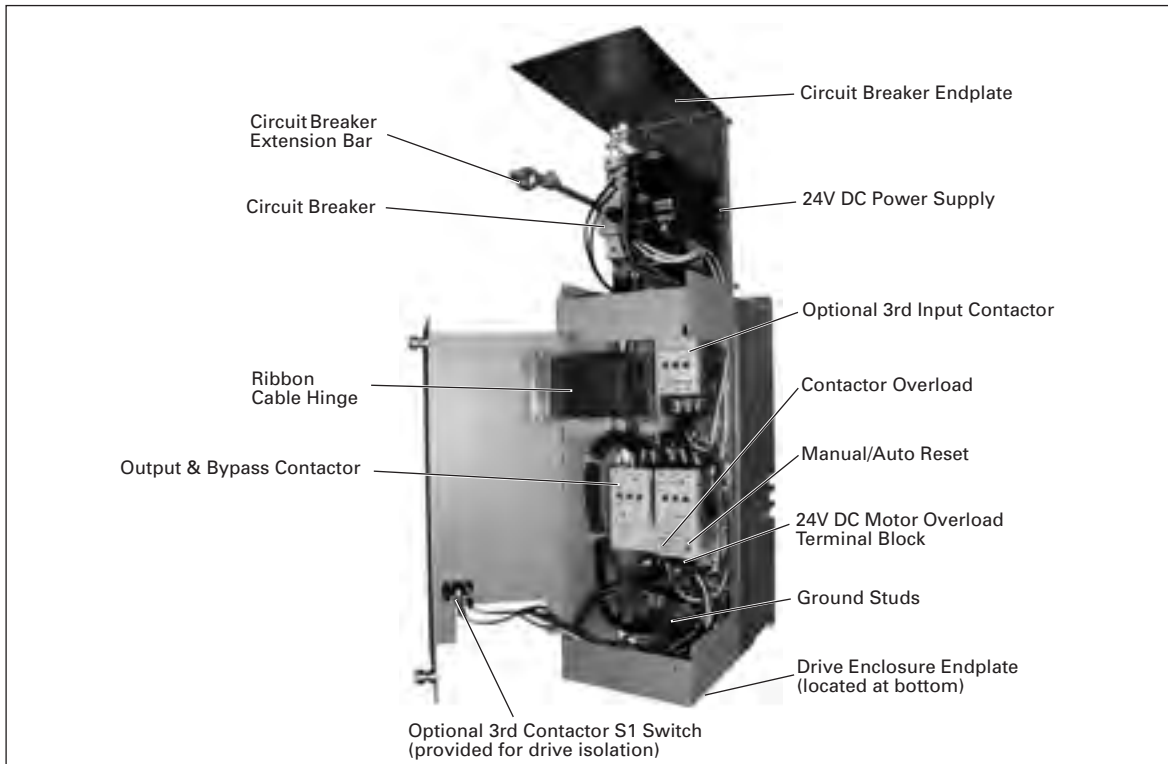


Figure 5-11: Identification of TYPE 1 Components

Note: You will need to consult the electrical schematic supplied with the drive and the appropriate wiring diagram. The Auxiliary Contactor is optional on TYPE 1 Drives.

Table 5-13: Bypass Power Wiring Instructions — TYPE 1

<ol style="list-style-type: none"> 1. Verify that the main power source is removed upstream. 2. Using a flat-blade screwdriver, remove the four screws securing the outer cover of the drive and remove the cover. 3. Using the same screwdriver, remove the two center screws securing the side cover. 4. Make sure there is adequate room, and open the hinged side cover. 	
--	--

Table 5-13: Bypass Power Wiring Instructions — TYPE 1, continued






<p>5. Using a flat-blade screwdriver, remove the screws securing the endplate at the bottom of the drive enclosure, and remove the endplate.</p> <p>6. Using a Greenlee conduit cutter (recommended), cut one or more holes in the endplate, located at the bottom of the drive's enclosure, for the motor and power leads.</p> <p>Note: If bringing the power leads in through the top of the drive's enclosure, go to step 7. If not, proceed to step 9.</p>	 <p>Bottom Endplate</p>
<p>7. Using a flat-blade screwdriver, remove the screws securing the endplate for the circuit breaker enclosure, and remove the endplate.</p> <p>8. Using a Greenlee conduit cutter (recommended), cut one hole in the circuit breaker endplate for the power leads.</p>	 <p>Circuit Breaker Endplate</p>
<p>9. Calibrate the circuit breaker amperage, so it is four to six times the value on the motor nameplate, by turning the yellow set screw located next to the circuit breaker extension bar. See the circuit breaker user's manual supplied with the drive.</p> <p>10. Connect the incoming power leads to the circuit breaker terminals (L1, L2 and L3).</p> <p>11. Using the torque wrench, tighten each terminal to the torque value found in the appropriate user's manual supplied with the drive.</p>	 <p>Incoming Power Leads</p> <p>Circuit Breaker Terminals</p> <p>Circuit Breaker Set Screw</p> <p>Circuit Breaker Extension Bar</p>

Table 5-13: Bypass Power Wiring Instructions — TYPE 1, continued

<p>12. Use your first and second fingers and simultaneously push down to release the two orange retaining clips (one on each side of the 24V DC motor overload terminal block).</p> <p>13. If necessary, use a flat-blade screwdriver to carefully remove the terminal block in a straight plane to avoid damaging it.</p>	
<p>14. Connect the motor leads to the motor overload terminals labeled 1TA, 1TB and 1TC.</p> <p>15. Using the appropriate metric Allen wrench (2.5 mm, 3 mm or 4 mm), tighten each overload terminal per the specifications in the contactor user's manual.</p> <hr/> <p>⚠ CAUTION</p> <p>An English Allen wrench will damage the terminals, and the motor overload will need to be replaced (not covered by warranty).</p> <p>16. Using the torque wrench, tighten each terminal to the torque value found in the appropriate user's manual supplied with the drive.</p> <p>17. Reinsert the motor overload terminal block.</p>	

August 2006

Table 5-13: Bypass Power Wiring Instructions — TYPE 1, continued


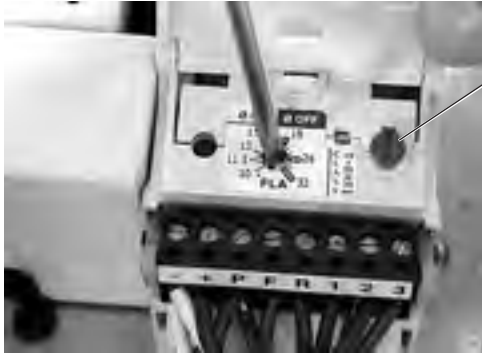




<p>18. Use a flat-blade screwdriver to connect the motor ground wire to the ground stud (located at either the top or bottom of the drive's enclosure).</p>	 <p>Motor Ground Stud</p>
<p>19. Lift to open the cover on the motor overload, and use a flat-blade screwdriver to set the overload amperage to match the value on the motor nameplate.</p> <p>20. Turn the auto/manual reset (factory default is manual) on the motor overload 90° to the auto position.</p>	 <p>Auto/Manual Reset</p>
<p>21. Use a flat-blade screwdriver to carefully remove the low-voltage I/O terminal block.</p> <p>22. Insert the incoming control leads into the terminal block. Refer to the electrical schematic supplied with the drive.</p> <p>23. Reinsert the I/O terminal block into the control board.</p> <p>24. Verify that all other wires to the terminal block are connected.</p>	

Table 5-13: Bypass Power Wiring Instructions — TYPE 1, continued

<p>25. Make sure power is off, and perform static checks as described in “Static Checking” on Page 5-14.</p> <p>Note: Static check shown is for L3 and B+ terminals. See Figure 5-10 for a detailed schematic to aid in performing the static checks.</p> <p>26. Once the pre-power static checks are completed, reinstall the drive’s outer and side covers, tightening all the screws.</p>	
<p>27. Make sure that the drive’s 3rd contactor S1 switch, if present, is in the ON position (shown in OFF position).</p> <p>Note: The bypass mode operates with the switch in the OFF position, however the drive will not run. Yet the keypad will operate.</p>	
<p>28. Turn the circuit breaker handle in a clockwise direction.</p> <hr/> <p>⚠ WARNING</p> <p>High Voltage</p> <ul style="list-style-type: none"> • Always work with another person • Be sure equipment is properly grounded • Wear safety glasses 	 <p>Circuit Breaker Handle</p>

August 2006

Power and Motor Wiring Schematic

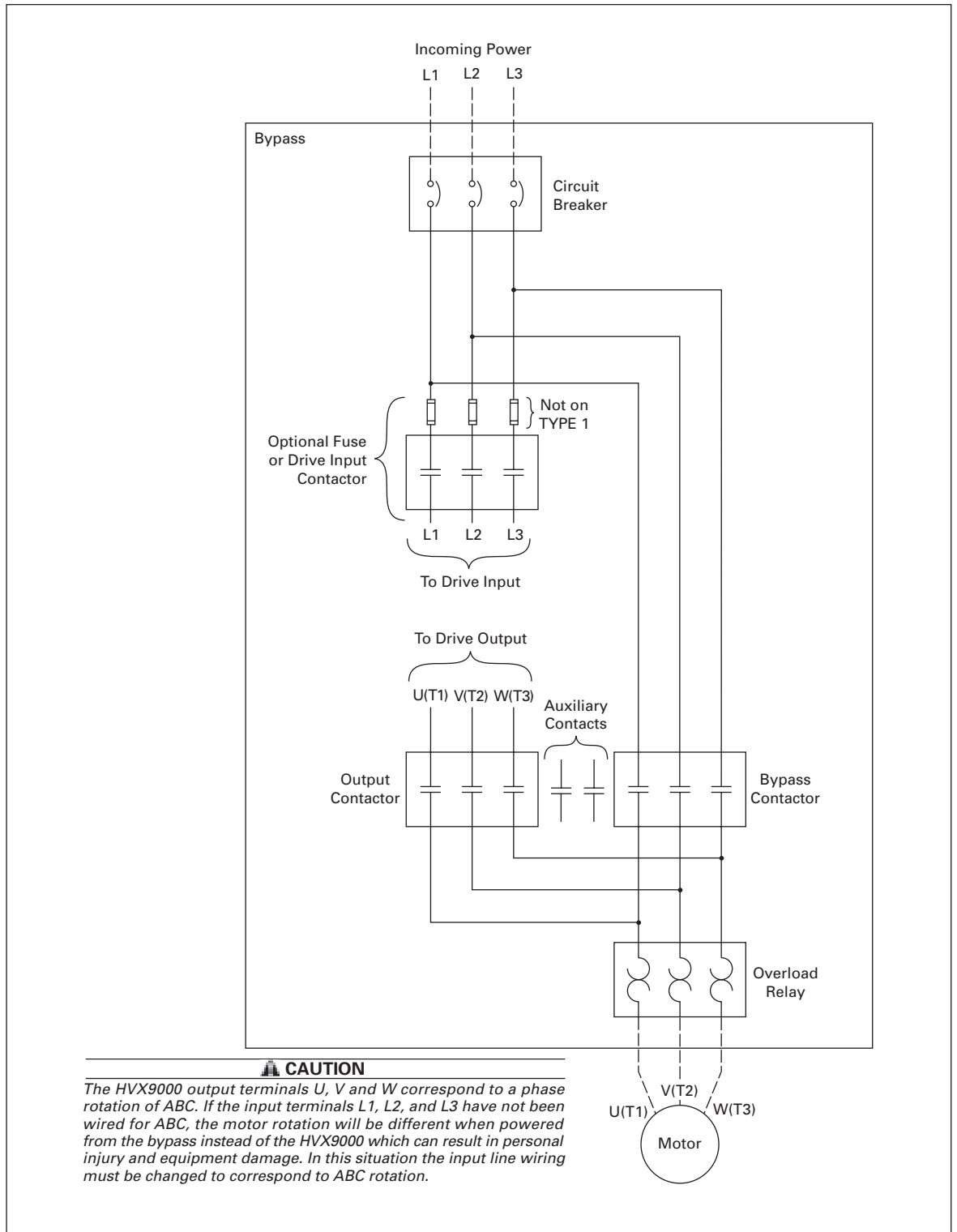


Figure 5-12: IntelliPass Power and Motor Terminal Wiring Example

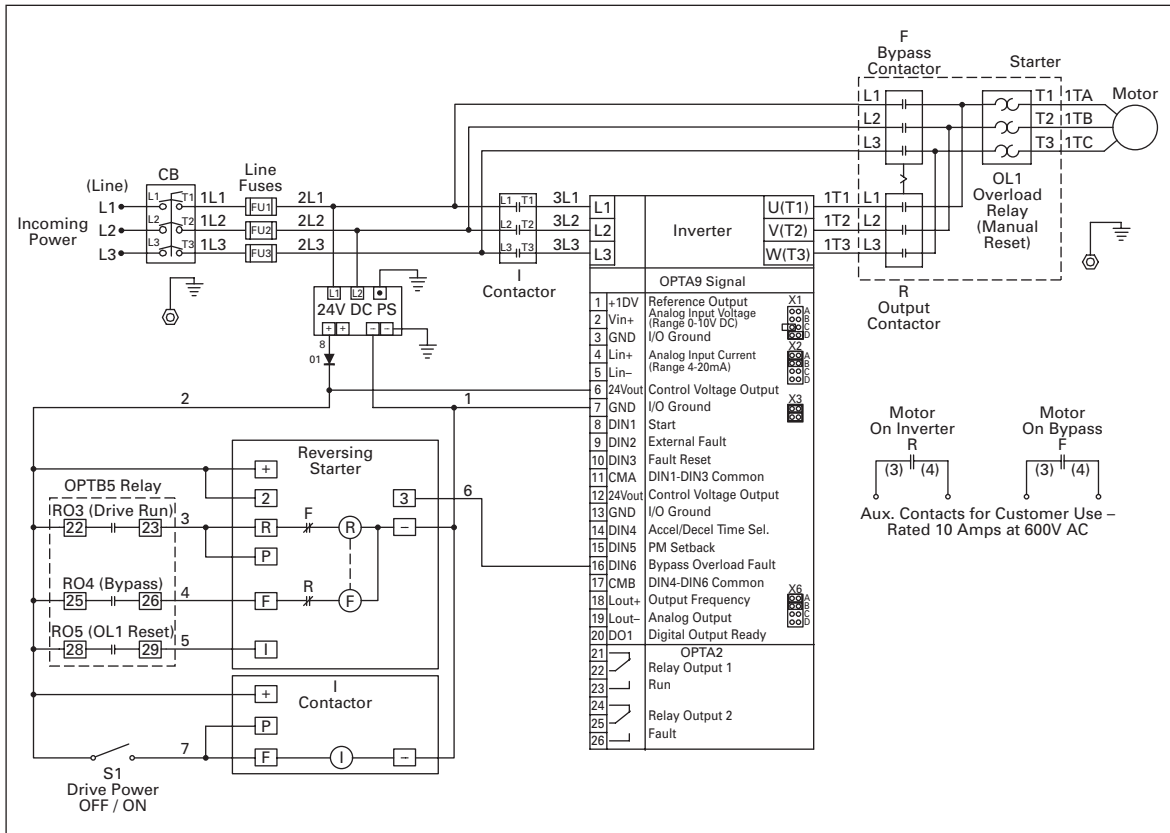


Figure 5-13: IntelliPass Control Diagram

August 2006

IntelliPass Control Wiring Instructions

Use the instructions and diagrams in Chapter 4 “Control Wiring” for wiring standard option boards A9 and A2.

In addition to these two boards, the IntelliPass Bypass includes option board B5, which is described in the following section.

Wiring Option Board B5

- This board is to be mounted in slot C.

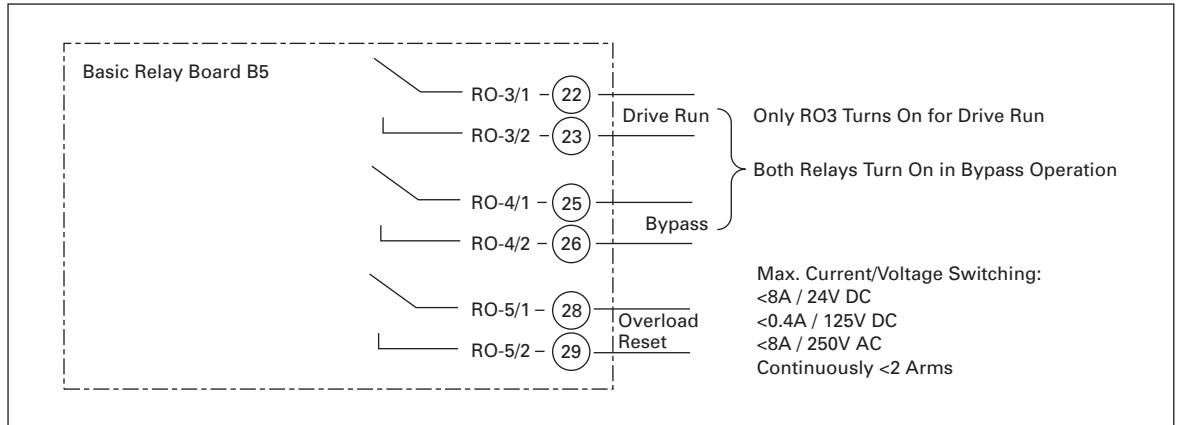


Figure 5-14: Option Board B5 Wiring Diagram

Table 5-14: Option Board B5 Terminal Descriptions

Terminal	Signal		Description and Parameter Reference
22	RO-3/1	Common	Drive Run Switching Capacity: 24V DC / 8A 250V AC / 8A 125V DC / 0.4A Min Switching Load: 5V/10 mA Continuously: <2 Arms
23	RO-3/2	Normally Open	
25	RO-4/1	Common	Bypass Switching Capacity: 24V DC / 8A 250V AC / 8A 125V DC / 0.4A
26	RO-4/2	Normally Open	
28	RO-5/1	Common	Overload Reset Switching Capacity: 24V DC / 8A 250V AC / 8A 125V DC / 0.4A
29	RO-5/2	Normally Open	

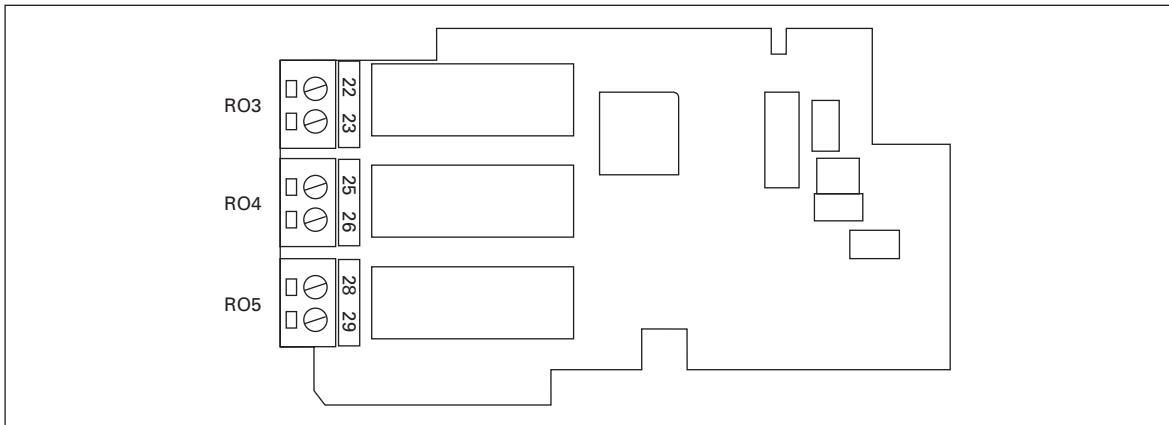


Figure 5-15: Option Board B5 Terminal Location

August 2006

Chapter 6 — Menu Information

Keypad Operation

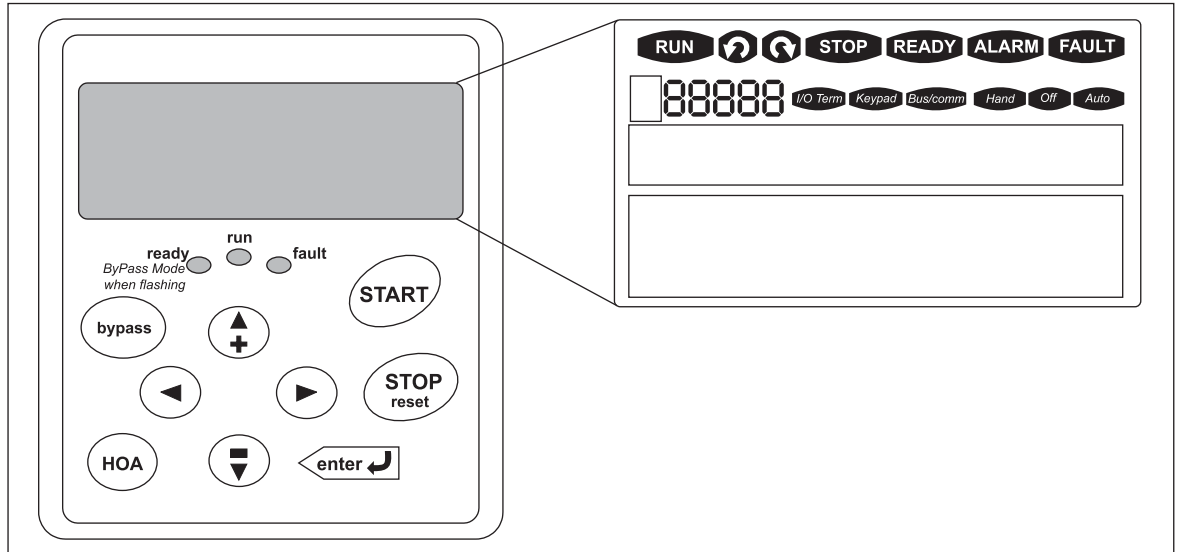


Figure 6-1: Keypad and Display

Table 6-1: LCD Status Indicators





















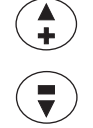
Indicator	Description
	Run Indicates that the HVX9000 is running and controlling the load in Drive or Bypass.
	Counterclockwise Operation The output phase rotation is BAC , corresponding to counterclockwise rotation of most motors.
	Clockwise Operation The output phase rotation is ABC , corresponding to clockwise rotation of most motors.
	Stop Indicates that the HVX9000 is stopped and not controlling the load.
	Ready Indicates that the HVX9000 is ready to be started. Run Enable/INTLK DIN selection will disable "Ready."
	Alarm Indicates that there is one or more active drive alarm(s).
	Fault Indicates that there is one or more active drive fault(s).
	I/O Terminal Indicates that the I/O terminal have been chosen for control.
	Keypad Indicates that the keypad has been chosen for control.
	Bus/Communications Indicates that the communications bus has been chosen for control.
	Hand Indicates that HAND has been chosen in the HOA control mode.
	Off Indicates that the HVX9000 is stopped while in the HOA control mode.
	Auto Indicates that AUTO has been chosen in the HOA control mode.

Table 6-2: LED Status Indicators

Indicator	Description
ready	Ready — Steady Illumination Indicates that the HVX9000 is ready to be started. Ready — Flashing once per second, Bypass Mode is enabled and awaiting a start signal. Flashing twice per second, indicates that the HVX9000 is running motor in Bypass.
run	Run Indicates that the HVX9000 or Bypass is operating and controlling the load.
fault	Fault Indicates that there is one or more active drive fault(s).

August 2006

Table 6-3: Navigation Buttons

Button	Description
	<p>Start This button operates as START button for normal operation when the “Keypad” is selected as the active control.</p>
	<p>Enter This button in the parameter edit mode is used to</p> <ul style="list-style-type: none"> • leave the programming mode • leave the parameter group • save the parameter setting and move to the next parameter <p>This button is also used to reset Fault History</p> <ul style="list-style-type: none"> • Fault History is reset if ENTER is pressed on the “Fault History” menu group in “Monitoring Menu” or • if ENTER is pressed while in the “Fault History” menu
	<p>Stop/Reset This button has three integrated functions. The button operates as the STOP button during normal operation. In the fault mode, it is used as the fault RESET button. It is also used to enter programming mode when pressed for two seconds from the “Operate Menu”.</p> <ul style="list-style-type: none"> • motor STOP from the keypad • used to reset the active fault
	<p>Bypass Switches between the drive and bypass modes.</p>
	<p>HOA Steps through Hand, Off and Auto control modes. Press “Enter” to select mode. If “Enter” is not pressed, control mode will remain in previous control mode.</p>
	<p>Left Arrow</p> <ul style="list-style-type: none"> • navigation button, movement to left • in display mode, enter parameter group mode • in parameter edit mode, exits mode, backs up one step • cancels edited parameter (exit from a parameter edit mode)
	<p>Right Arrow</p> <ul style="list-style-type: none"> • navigation button, movement to right • enter parameter group mode • enter parameter mode from group mode
	<p>Up and Down Arrows</p> <ul style="list-style-type: none"> • move either up or down the operating menu list in order to view the desired operating values • move either up or down the parameter group list in order to select the desired group • move either up or down the parameter list in order to select the desired parameter in the group • increase/decrease the reference value of the selected parameter

Start-Up Wizard

Upon initial power up, the **Start-Up Wizard** guides the commissioner through the basic HVX9000 setup. The **Start-Up Wizard** may be set to function upon power up by setting parameter P3.5.3, or by pressing the STOP button for 5 seconds. The display will read "Startup Wizard" ACTIVATED after 5 seconds.

Upon power up, the display will read:
"Startup wizard"
"Press enter"

Upon pressing ENTER, the choice for the language to be used followed by the application desired are presented. Change selection by using the up and down arrow buttons. A selection is confirmed by pressing ENTER. After the application selection, the following text appears:
"Setup starts"
"Press enter"

When ENTER is pressed the setup parameter list is presented. The parameter value will be blinking allowing setting by the up and down arrow buttons. The value is confirmed using the ENTER button, after which the next parameter in the list will be displayed.

After the last setup parameter is presented, the following text is displayed:
"Repeat setup?"
"←No" and "Yes→"

If the right arrow is pressed, the Start-Up Wizard restarts. If the left arrow is pressed, the following is displayed:
"Setup done"
"Press enter"

After this, the display returns to the default page, normally the Operate Menu.

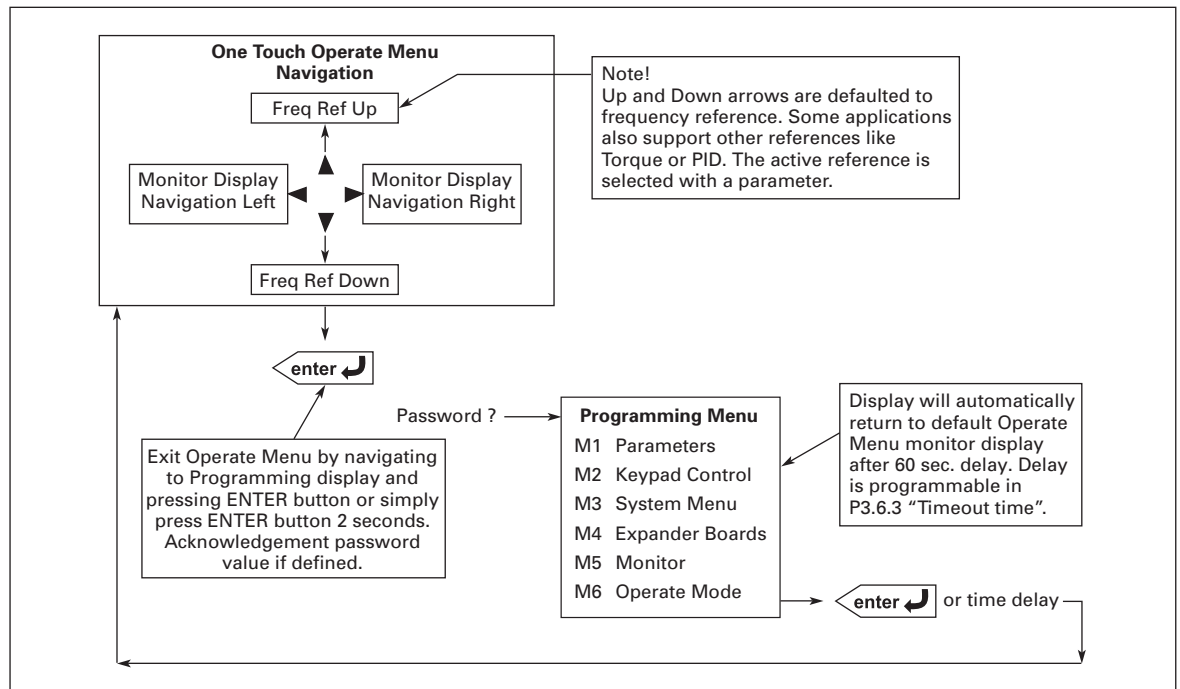


Figure 6-2: Operate Menu Navigation

The Operate Menu provides an easy to use method of viewing key numerical Monitoring Menu items. Some applications also support the setting of reference values in this menu. The items displayed vary by application. **Table 6-4** is an example for the Standard application.

Table 6-4: Operate Menu Items — IntelliPass Application Example

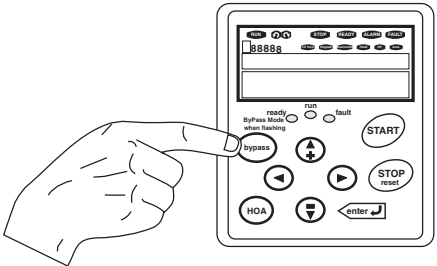
Code	Signal Name	Unit	Description
O.1	Motor Speed	rpm	Calculated motor speed
O.2	Motor Nomspeed	%	Motor nominal speed
O.3	Freq Reference	Hz	Frequency Reference
O.4	Output Frequency	Hz	Output Frequency
O.5	Motor Current	A	Measured Motor Current
O.6	Motor Torque	%	Calculated torque based on nominal motor torque
O.7	Motor Power	%	Calculated motor power
O.8	DC-Bus Voltage	V	Measured DC-Bus Voltage
O.9	Unit Temperature	°C	Heatsink temperature
O.10	Calc. MotorTemp	%	Calculated motor temperature based on the motor nameplate information and the calculated motor load
O.11	Analog Input 1	V	Voltage input at Terminals AI1 + and GND

The menu is navigated by using the left and right arrow buttons. If a reference level is available for setting, the up and down arrow buttons adjust the value. To exit the Operate Menu to access the other menus, depress the ENTER button for 2 seconds. While in the other menus, if there is no keypad activity, the display will return to the Operate Menu after 60 seconds. Programmable per P3.6.3 "Timeout Time". **Figure 6-2** illustrates the Operate Menu button function.


Note: Once enabled, bypass operation (across the input line) will be controlled through whichever control source is selected. Pressing BYPASS button will not work if HOA (HAND/OFF/AUTO) is in OFF.


Bypass: Enabling, Disabling and Running Motor

To enable the bypass:
Press the BYPASS button.




Display Reads:
"Activate Bypass?"
"Press Enter"


Press  key.

After pressing the  key, display will read "RUN IN BYPASS? Press Start!" You should also observe that "READY LED" is flashing once per second.

This LED indicates that the unit is in "Bypass Mode" and awaiting a start signal. Once Bypass is "running", the LED will flash at a faster rate, twice every second, plus display will read "MOTOR RUNNING IN BYPASS!!"

IMPORTANT!
At this point you have two possible start sources for bypass operation. Whichever control source is indicated on the display such as I/O term or Bus/Comm, plus directly from the keypad.

When you want to leave "Bypass Mode" and return to AFD operation, press the BYPASS button. Display will read "RETURN TO DRIVE? Press Enter!" If "Activate Bypass Press Enter" is displayed, you must press the  key to activate Keypad Bypass Control before pressing the BYPASS button again to return to drive operation.

After pressing the  key, you will be in AFD operation. The "Ready/Bypass Mode when Flashing" LED should now be either solid green or OFF.

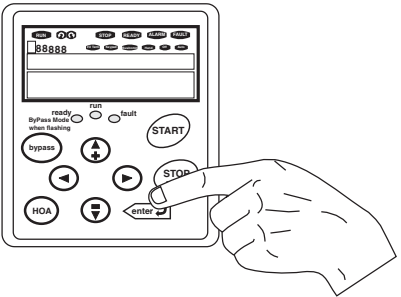
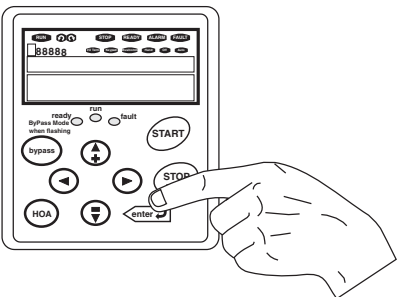



Figure 6-3: Enable Bypass

Note: See Parameter Group 1.10 "IntelliPass Parameters" for more information on customizing bypass operation.

Another way to return to drive operation is to go directly to Parameter 1.10.1 INTELLI-PASS and disable, which also disables the BYPASS in all control sources.

When in doubt as to Mode of Bypass, view status of "Ready/Bypass Mode when flashing" LED along with keypad display.

August 2006

Menu Navigation

Navigation Tips

- To navigate within one level of menu, use the up and down arrows.
- To move deeper into the menu structure and back out, use the right and left arrows.
- To edit a parameter, navigate to show that parameter's value, and press the right arrow button to enter the edit mode. In edit mode, the parameter value will flash.
- When in edit mode, the parameter value can be changed by pressing the up or down arrow keys.
- When in edit mode, pressing the right arrow a second time will allow you to edit the parameter value digit by digit.
- To confirm the parameter change you must press the ENTER key. *The value will not change unless the ENTER button is pushed.*
- Parameters identified with a footnote in **Appendix B** can not be changed while the HVX9000 is running. The screen will display LOCKED if you attempt to edit these parameters while the drive is running. Stop the drive to edit these parameters.

Main Menu

The data on the control keypad are arranged in menus and submenus.

The first menu level consists of menus M1 to M6 and is called the Main menu. These menus and their submenus are illustrated in **Figures 6-4** and **6-5**.

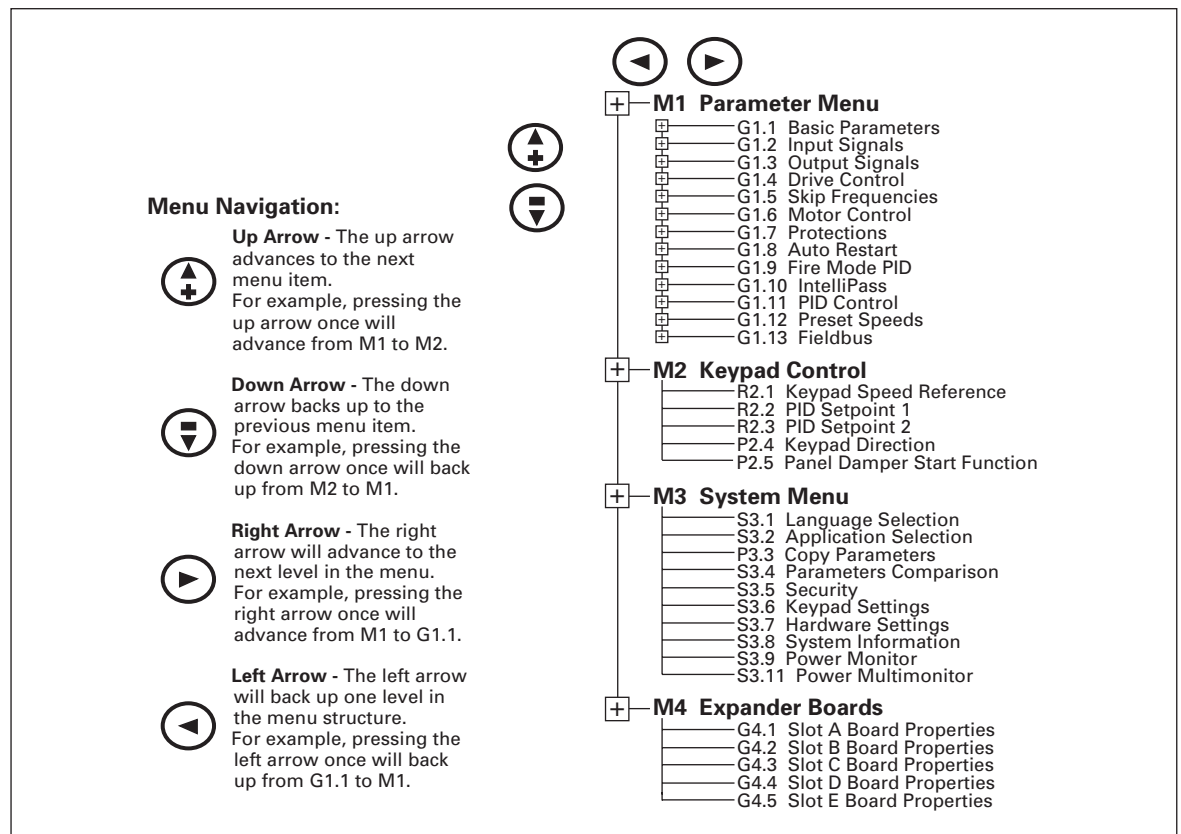


Figure 6-4: Main Menu Navigation — 1 of 2

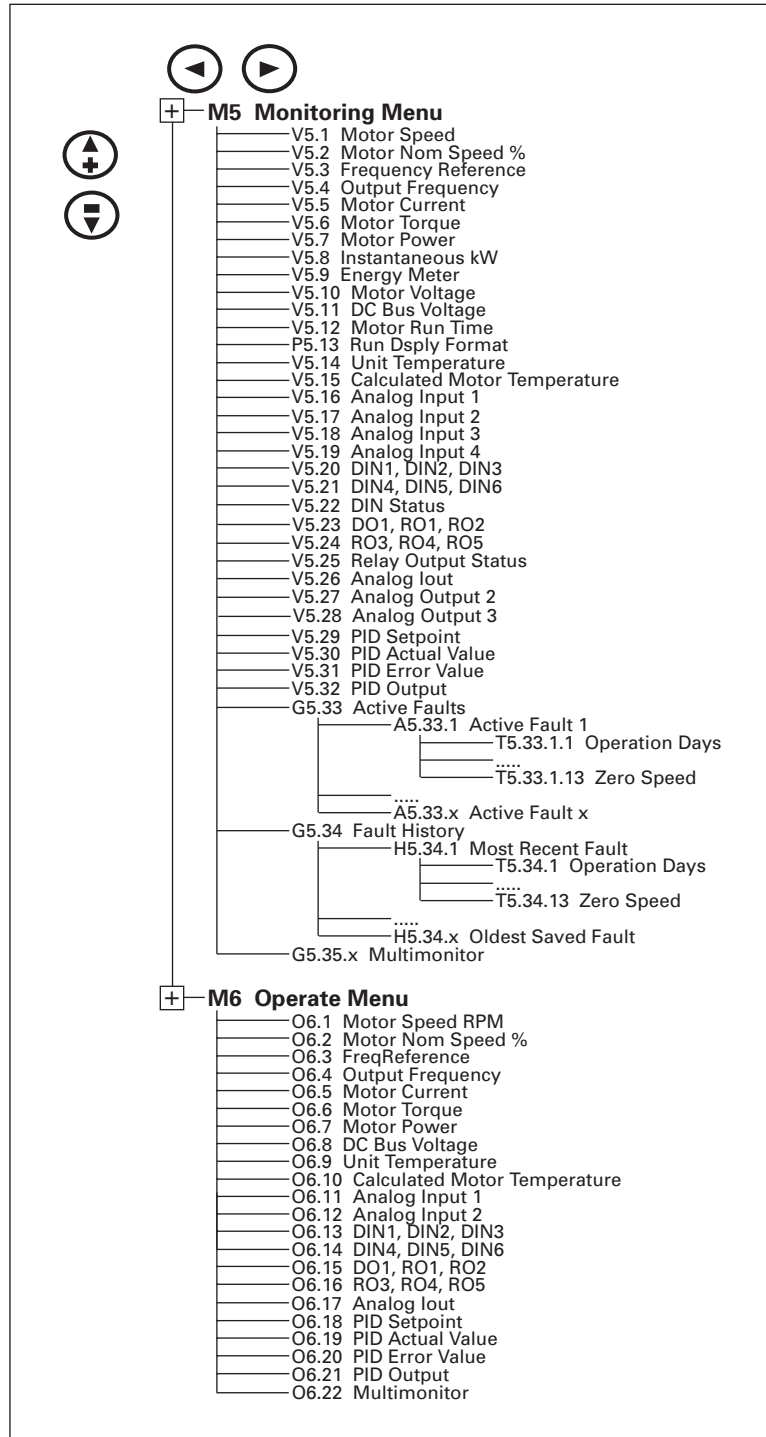


Figure 6-5: Main Menu Navigation — 2 of 2

August 2006

Parameter Menu (M1)

The Parameter Menu is a multi-level menu, arranged by parameter group as illustrated in **Figure 6-6**. Parameters and parameter groups are explained in further detail in **Chapter 8** and **Appendix B**.

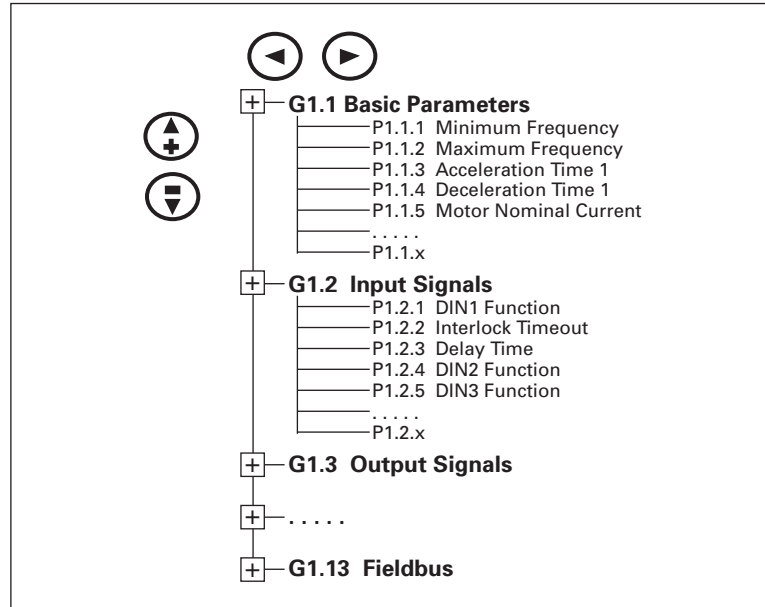


Figure 6-6: Parameter Menu Structure

Keypad Control Menu (M2)

In the Keypad Control Menu, you can set the frequency reference, PID Setpoint and PID Setpoint 2, choose the motor direction for keypad operation and choose the keypad Damper Start Function. See **Figure 6-7**.

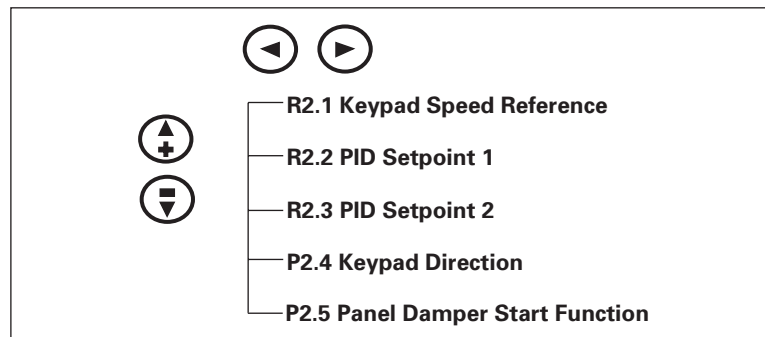


Figure 6-7: Keypad Control Menu

R2.1 Keypad Speed Reference	<p>Range: 0.0 – 100.0 Units: Percent <i>KEYPAD SPEED REF</i></p> <p>The keypad reference displays and allows the operator to edit the motor speed reference. The changes will take place immediately. This reference value will not, however, influence the motor rotation speed unless the keypad has been selected as the active control place. 100% corresponds to Maximum Frequency.</p>	
R2.2 PID Setpoint 1	<p>Range: 0.00 – 100.00 Units: Percent <i>PID SETPOINT 1</i></p> <p>This parameter sets the value of the PID setpoint 1 reference, if the keypad is the active control place.</p>	Default: 0.00
R2.3 PID Setpoint 2	<p>Range: 0.00 – 100.00 Units: Percent <i>PID SETPOINT 2</i></p> <p>This parameter sets the value of the PID setpoint 2 reference, if PID Ref2 Sel is enabled in the Digital Inputs.</p>	Default: 0.00
R2.4 Keypad Direction	<p>Range: Forward, Reverse <i>KEYPAD DIRECTION</i></p> <p>The keypad direction displays and allows the operator to change the rotation direction of the motor. This setting will not, however, influence the rotation direction of the motor unless the keypad has been selected as the active control place.</p>	Default: Forward
R2.5 Panel Damper Function	<p>Range: 1 – 3 <i>PANEL DAMPER FUNCTION</i></p> <p>P1.1.12 Start Source Hand must be set to selection #3 Panel Damper. Similar to the DIN1 Function only using the keypad or panel start versus the I/O terminal BAS start for P1.2.1 DIN1 Function.</p> <ol style="list-style-type: none"> 1 Interlocked Start – To use this, a relay output, RO1 – RO8, needs to be programmed for selections 27 “StrtDelayRly,” and a digital input DIN2 to DIN6 must be programmed for selection 3 “RunEn/INTLK.” The relay output is used to energize an element of the driven system, such as a damper, seal water solenoid, or a pre-lube pump. Upon a return acknowledgement contact closure to the programmed digital input, the HVX9000 will start. 2 Interlock Time Start – This functions the same as the Interlocked Start, except that if the return acknowledgement contact is not received within the Interlock Timeout, an “IntlkTimeExpired RestartDrive” message is displayed and the start sequence will need to be restarted. 3 Delay Start – This start is similar to the Interlocked Start, except that a return contact is not used. After the “Delay Time” following the relay output closure, the HVX9000 starts. <p>Note: If Run Enable/Interlock opens, the START button must be pressed in order to restart damper open and restart drive. Using I/O BAS start, which is maintained retoggle of DIN1 is unnecessary. Motor will start automatically when Run Enable/Interlock is closed again.</p> <p>Note: Panel Damper uses the same timers P1.2.2 and P1.2.3 that P1.2.1 DIN1 uses.</p>	Default: 1 (Interlock Start)

August 2006

System Menu (M3)

The controls associated with the general use of the drive, such as application selection, customized parameter sets or information about the hardware and software are located in the System Menu.

Descriptions of the system menu parameters are illustrated in **Figure 6-8**.

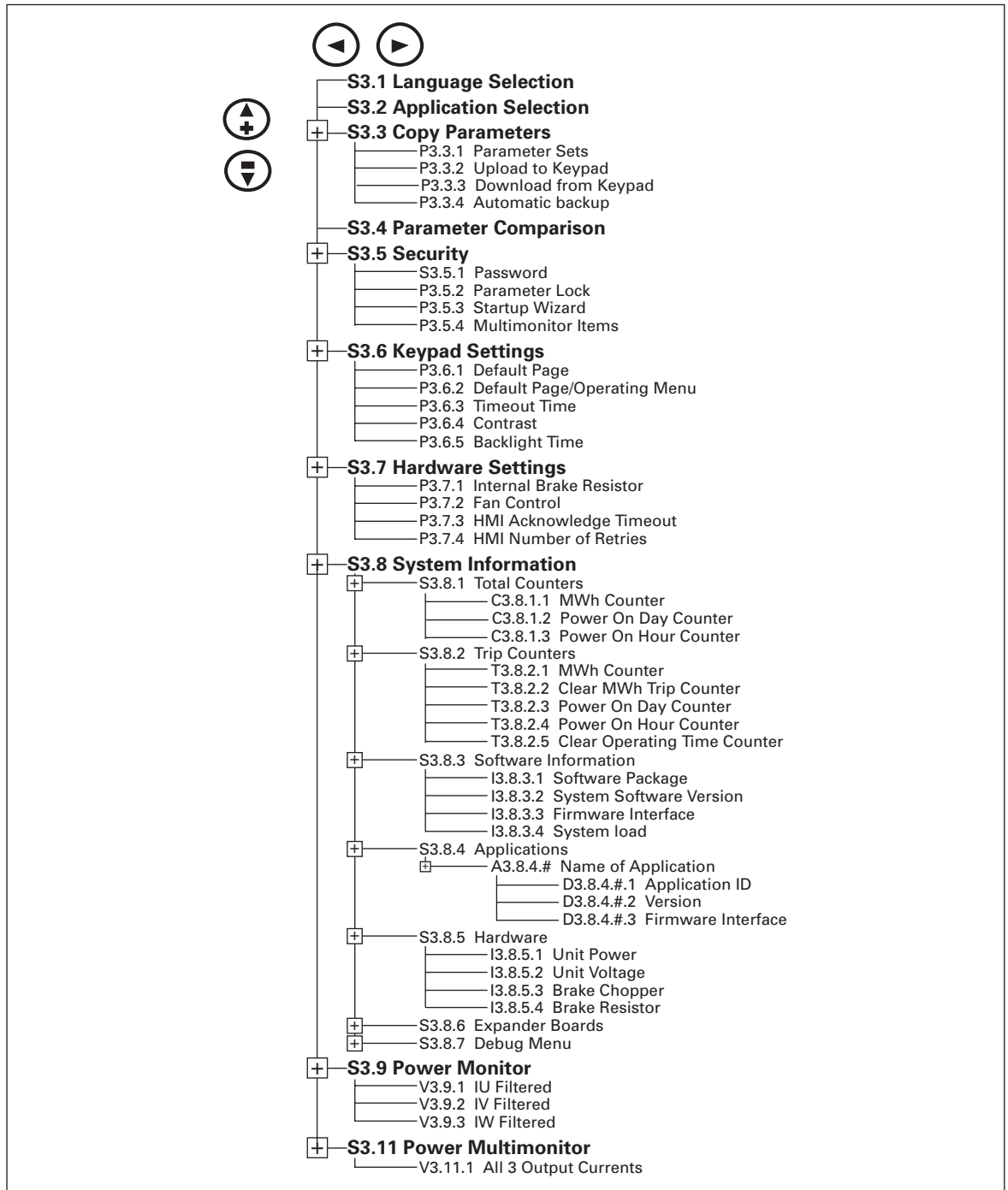


Figure 6-8: System Menu Structure

System Menu Parameters

S3.1 **Language Selection** Default: English
LANGUAGE
 This parameter offers the ability to control the HVX9000 through the keypad in the language of your choice. Currently available languages are: English, Spanish, French and Portuguese.

S3.2 **Application Selection** Default: HVX 11.13
APPLICATION
 This parameter sets the active application if multiple applications have been loaded.
 When changing applications, you will be asked if you want the parameters of the new application to be uploaded to the keypad. If you wish to load the new application parameters, push the ENTER button. Pushing any other button saves the parameters of the previously used application in the keypad.

System Menu Copy Parameter Options (S3.3)

The parameter copy function is used when the operator wants to copy one or all parameter groups from one drive to another. All the parameter groups are first uploaded to the keypad, then the keypad is connected to another drive and then the parameter groups are downloaded to it (or possibly back to the same drive).

Note: Before any parameters can successfully be copied from one drive to another, the drive must be stopped when the parameters are downloaded to it.

S3.3.1 **Parameter Sets**
PARAMETER SETS
 This parameter allows you to reload the factory default parameter values, and to store and load two customized parameter sets.

- 1 Load Factory Default parameters
- 2 Store parameter set #1
- 3 Load parameter set #1
- 4 Store parameter set #2
- 5 Load parameter set #2

S3.3.2 **Load Up to Keypad**
UP TO KEYPAD
 This function uploads all existing parameter groups to the keypad.

S3.3.3 **Download from Keypad** Range: 0 – 3 Default: 0 (All parameters)
DOWN FROM KEYPAD
 This function downloads one or all parameter groups from the keypad to the drive.

- 0 All parameters
- 1 All, no parameters
- 2 Application parameters

S3.3.4 **Automatic Backup** Range: Yes, No Default: Yes
AUTO. BACKUP
 This parameter activates and deactivates the parameter backup function. When the Parameter backup function is activated, the keypad makes a copy of the parameters and settings in the currently active application.

August 2006

System Menu Parameter Comparison Options (S.3.4)

S3.4 Parameter Comparison

PARAMCOMPARISON

With the Parameter Comparison function, you can compare the actual parameter values to the values of your customized parameter sets and those loaded to the control keypad.

The actual parameter values are first compared to those of the customized parameter Set1. If no differences are detected, a "0" is displayed on the lowermost line of the keypad.

If any of the parameter values differ from those of the Set1 parameters, the number of the deviations is displayed together with symbol P (e.g. P1 → P5 = five deviating values).

By pressing the right arrow button once again you will see both the actual value and the value it was compared to. In this display, the value on the Description line (in the middle) is the default value, and the one on the value line (lowermost line) is the edited value. You can also edit the actual value by pushing the Right Arrow button.

Actual values can also be compared to Set2, Factory Settings and Keypad Set values.

Security Menu Parameter Options (S3.5)

Note: The Security submenu is protected with a password.

Store the password in a safe place.

S3.5.1 Password

Range: 0 – 65,535

Default: 0

PASSWORD

The application selection can be protected against unauthorized changes with the Password function. When the password function is enabled, the user will be prompted to enter a password before application changes, parameter value changes, or password changes.

By default, the password function is not in use. If you want to activate the password, change the value of this parameter to any number between 1 and 65,535. The password will be activated after the Timeout time (**Timeout Time**) has expired.

To deactivate the password, reset the parameter value to 0.

S3.5.2 Parameter Lock

Range: ChangeEnable, ChangeDisabl Default: ChangeEnable

PARAMETER LOCK

This function allows the user to prohibit changes to the parameters.

If the parameter lock is activated the text **LOCKED** will appear on the display if you try to edit a parameter value.

Note: This function does not prevent unauthorized editing of parameter values.

S3.5.3 Start-Up Wizard

Range: Yes, No

Default: No

START-UP WIZARD

The Start-Up Wizard facilitates commissioning the HVX9000. If selected active, the Start-Up Wizard prompts the operator for the language and application of his/her choice and then returns to the starting menu or page.

This feature can also be selected by pressing the STOP button for 5 seconds. Display will then show "Start-Up Wizard Activated". Unit must then be powered down and "SUW" will be displayed on powerup.

- S3.5.4 Multi-Monitoring Items** Range: ChangeEnable, Change Disabl Default: ChangeEnable
MULTIMON. ITEM
 The keypad display where can display three actual monitored values at the same time. This parameter determines if the operator is allowed to replace the values monitored with other values.

Keypad Settings (S3.6)

There are four parameters (*Default Page* to *Backlight Time*) associated with the keypad operation:

- P3.6.1 Default Page** Default: 0
DEFAULT PAGE
 This parameter sets the view to which the display automatically moves as the **Timeout Time** expires or when the keypad power is switched on. If the Default Page value is 0 the function is not activated, i.e. the last displayed page remains on the keypad display.

- P3.6.2 Default Page in the Operating Menu** Default: 1
DEFAULT PAGE/OM
 Here you can set the location in the Operating menu to which the display automatically moves as the set **Timeout Time** expires, or when the keypad power is switched on. See setting of **Default Page** parameter above.

- P3.6.3 Timeout Time** Range: 0 – 65,535 Default: 60
 Units: Seconds
TIMEOUT TIME
 The Timeout Time setting defines the time after which the keypad display returns to the **Default Page**.
Note: If the Default Page value is 0 the Timeout Time setting has no effect.

- P3.6.4 Contrast Adjustment** Range: 0 – 31 Default: 18
CONTRAST ADJUSTMENT
 If the display is not clear, you can adjust the keypad contrast with this parameter.

- P3.6.5 Backlight Time** Range: 1 – 65,535 or Forever Default: 10
 Units: Minutes
BACKLIGHT TIME
 This parameter determines how long the backlight stays on before going out. You can select here any time between 1 and 65,535 minutes or "Forever".

August 2006

Hardware Settings (S3.7)

The Hardware Settings submenu (S3.7) provides parameters for Internal brake resistor connection, Fan control, HMI acknowledge timeout and HMI retry.

- P3.7.1**
Internal Brake Resistor Connection
- Range: Connected, Not Connected Default: Not connected
INTERBRAKES
- With this function you can tell the HVX9000 whether the internal brake resistor is connected or not.
- If your drive has an internal brake resistor, the default value of this parameter is "Connected". However, if it is necessary to increase braking capacity by installing an external brake resistor, or if the internal brake resistor is disconnected, it is advisable to change the value of this function to "Not Connected" in order to avoid unnecessary fault trips.
- Note:** The brake resistor is available as an option for all drives. It can be installed internally in frame sizes FR4 to FR6.
-
- P3.7.2**
Fan Control
- Range: Continuous, Temperature, First Start and Calc Temp Default: Continuous
FAN CONTROL
- This function allows you to control the HVX9000's cooling fan. You can set the fan to run:
- 1 Continuous — fan runs continuously.
 - 2 Temperature — based on the temperature of the unit. The fan is switched on automatically when the heatsink temperature reaches 60°C. The fan receives a stop command when the heatsink temperature falls to 55°C. The fan runs for about a minute after receiving the stop command or switching on the power, as well as after changing the value from "Continuous" to "Temperature".
 - 3 First Start — after power up the fan is stopped until the run command is given and then fan runs continuously. This is mainly made for common DC-bus systems to prevent cooling fans to load charging resistors on power up moment.
 - 4 Calc Temp — starting of cooling fan is based on calculated IGBT-temperature. When IGBT temp = 40°C, fan starts and when temp falls down to 30°C, fan stops.
- Note:** The fan runs continuously, regardless of this setting, when the HVX9000 is in RUN state.

P3.7.3 HMI Acknowledge Timeout	Range: 200 – 5,000 Units: mseconds <i>HMI ACK TIMEOUT</i> This function allows the user to change the timeout of the HMI acknowledgement time. Note: If the HVX9000 has been connected to a PC with a serial cable, the default values of HMI Acknowledge Timeout and Number of Retries to Receive HMI Acknowledgement must not be changed. If the HVX9000 has been connected to a PC via a modem and there is delay in transferring messages, the value of HMI Acknowledge Timeout must be set according to the delay as follows: Example: <ul style="list-style-type: none">• Transfer delay between the frequency converter and the PC = 600 ms• The value of HMI Acknowledge Timeout is set to 1200 ms (2 x 600, sending delay + receiving delay)• The corresponding setting shall be entered in the [Misc]-part of the file NCDrive.ini: Retries = 5 AckTimeOut = 1200 TimeOut = 6000 It must also be considered that intervals shorter than the HMI Acknowledge Timeout time cannot be used in HVX9000 drive monitoring.	Default: 200 ms
P3.7.4 Number of Retries to Receive HMI Acknowledgement	Range: 1 – 10 <i>HMI RETRY</i> With this parameter you can set the number of times the drive will try receive acknowledgement when it has not been received within the acknowledgement time (HMI Acknowledge Timeout) or if the received acknowledgement is faulty.	Default: 5

August 2006

System Information (S3.8)

This section contains hardware and software information as well as operation information.

S3.8.1

Total Counters

TOTAL COUNTERS

In the Total Counters page (**Total Counters**) you can find information related to the HVX9000 operating times, i.e. the total numbers of MWh, operation days and operation hours passed so far. See **Table 6-5**.

Unlike the counters in the Trip Counters, these counters cannot be reset.

Note: The Power On time counter (days and hours) runs always, when the power is on.

Table 6-5: Total Counters

Number	Name	Description
C3.8.1.1	MWh counter	Megawatt hours total operation time counter.
C3.8.1.2	Power On day counter	Number of days the HVX9000 has been supplied with power.
C3.8.1.3	Power On hour counter	Number of hours the HVX9000 has been supplied with power.

S3.8.2

Trip Counters

TRIP COUNTERS

Trip counters are counters the values of which can be reset i.e. restored to zero. You have the following resettable counters at your disposal:

Table 6-6: Trip Counters

Number	Name	Description
T3.8.2.1	MWh counter	Megawatts hours since last reset.
T3.8.2.2	Clear MWh counter	Resets megawatts hours counter and clears Energy Meter in the Monitoring Menu (V5.9).
T3.8.2.3	Power On day counter	Number of days since the last reset.
T3.8.2.4	Power On hour counter	Number of hours the HVX9000 has been running a motor since the last reset.
T3.8.2.5	Clear Operation time counter	Resets the day and hour motor or drive running counter and resets the Motor Run Time in the Monitoring Menu (V5.12).

Note: The trip counters operate only when the motor is running above 0.00 Hz.

The counters can be reset with **Clear MWh counter** and **Clear Operation time counter**.

S3.8.3 Software Information

SOFTWARE

The Software information page includes information on the following software topics:

Table 6-7: Software Information

Number	Content
I3.8.3.1	Software package
I3.8.3.2	System software version
I3.8.3.3	Firmware interface
I3.8.3.4	System load

S3.8.4 Application Information

APPLICATIONS

The Application information page includes information on not only the application currently in use but also all other applications loaded into the HVX9000. The information available is:

Table 6-8: Application Information

Number	Content
A3.8.4.1	Name of application
D3.8.4.1.1	Application ID
D3.8.4.1.2	Version
D3.8.4.1.3	Firmware interface

S3.8.5 Hardware Information

HARDWARE

The Hardware information page provides information on the following hardware-related topics:

Table 6-9: Hardware Information

Number	Content
I3.8.5.1	Power unit type
I3.8.5.2	Nominal voltage of the unit
E3.8.5.3	Brake chopper
E3.8.5.4	Brake resistor
E3.8.5.5	Serial number

S3.8.6 Expander Board Information

EXPANDER BOARDS

This parameter and its sub-items provide information about the basic and option boards plugged into the control board. **Table 6-10** provides an example for slot A.

Table 6-10: Slot A Expander Board Information

Number	Content
E3.8.6.1	Slot A board identification
E3.8.6.1.1	Operating state
E3.8.6.1.2	Program version

August 2006

**S3.8.7
Debug Menu**

DEBUG

This menu is meant for advanced users and application designers. Contact factory for any assistance needed.

Power Monitor (S3.9)

Monitors IU, IV and IW output phase currents.

**S3.9.1
IU Filtered**

IU FILTERED

Monitors U phase output current.

**S3.9.2
IV Filtered**

IV FILTERED

Monitors V phase output current.

**S3.9.2
IW Filtered**

IW FILTERED

Monitors W phase output current.

Power Multimonitor (S3.11)

Monitors all three phases of current on the same display.

Expander Board Menu (M4)

The Expander Board Menu makes it possible for the user to:

- to see what expander boards are connected to the control board and
- to reach and edit the parameters associated with the expander board.

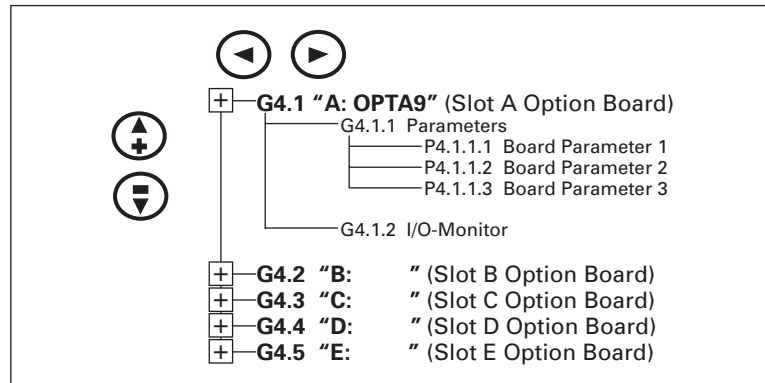


Figure 6-9: Expander Board Menu Structure

Example of Expander Board Parameters for Option Board A9

P4.1.1.1 AI1 Mode	Range: 1 – 5 <i>AI1 MODE</i> Analog Input 1 input options: 1 0 – 20 mA 2 4 – 20 mA 3 0 – 10V 4 2 – 10V 5 -10 – +10V	Default: 3
P4.1.1.2 AI2 Mode	Range: 1 – 5 <i>AI2 MODE</i> Analog Input 2 input options: 1 0 – 20 mA 2 4 – 20 mA 3 0 – 10V 4 2 – 10V 5 -10 – +10V	Default: 1
P4.1.1.3 AO1 Mode	Range: 1 – 4 <i>AO1 MODE</i> Analog Output 1 output options: 1 0 – 20 mA 2 4 – 20 mA 3 0 – 10V 4 2 – 10V	Default: 1

August 2006

Monitoring Menu (M5)

The Monitoring Menu items are meant for viewing parameter values during operation. Monitored values are updated every 0.3 sec. Monitored items are identified by item numbers V5.1 to V5.32 and G5.35, as listed in **Table 6-11**.

Table 6-11: Monitoring Menu Items

Code	Signal Name	Unit	ID #	Description
V5.1	Motor speed	rpm	2	Calculated motor speed
V5.2	Motor speed %	%	1590	Motor Nominal Speed %
V5.3	Frequency reference	Hz	25	Frequency reference setting
V5.4	Output frequency	Hz	1	Frequency to the motor
V5.5	Motor current	A	1780	Measured motor current
V5.6	Motor torque	%	4	Calculated torque based on nominal motor torque
V5.7	Motor power	%	5	Calculated power based on nominal motor power
V5.8	Instantaneous kW	kW	1888	Calculated power based on output to motor
V5.9	Energy meter	KwH	1666	Kilowatt hours total usage ^①
V5.10	Motor voltage	VAC	6	Calculated motor voltage
V5.11	DC-bus voltage	VDC	7	Measured DC-bus voltage
V5.12	Motor run time	Hrs	1701	Motor run time total ^①
P5.13	Run Display Format	—	1565	Changes motor run time between seconds, minutes, hours and days ^③
V5.14	Unit temperature	°C	8	Heatsink temperature
V5.15	Calculated motor temperature	°C	1917	Calculated motor temperature based on the motor nameplate information and the calculated motor load
V5.16	Analog Input 1	V	13	Voltage Input at Terminal AI1+ and GND
V5.17	Analog Input 2	mA	14	Current Input at Terminals AI2+ and AI2-
V5.18	Analog Input 3	mA	1680	Current Input at Terminals AI3+ and AI3-
V5.19	Analog Input 4	mA	1710	Current Input at Terminals AI4+ and AI4-
V5.20	DIN1, DIN2, DIN3	—	15	Digital input status (Figure 6-10)
V5.21	DIN4, DIN5, DIN6	—	16	Digital input status (Figure 6-11)
V5.22	DIN Status	—	1904	Status of all digital inputs
V5.23	DO1, RO1, RO2	—	17	Digital and relay output status (Figure 6-12)
V5.24	RO3, RO4, RO5	—	1678	Relay output status
V5.25	Relay out status	—	1773	Status of all relay outputs ^②
V5.26	Analog lout	mA	26	Current Output at Terminals AO1+ and AO1-
V5.27	Analog Output 2	mA	1874	Current Output at Terminals AO2+ and AO2-
V5.28	Analog Output 3	mA	1875	Current Output at Terminals AO3+ and AO3-
V5.29	PID Setpoint	Eng. Unit	20	PID Setpoint Level — Unit is dependent on selected Engineering Units P1.11.2
V5.30	PID Actual Level	Eng. Unit	21	PID Actual Level — Unit is dependent on selected Engineering Units P1.11.2
V5.31	PID Error Value	Eng. Unit	22	PID Error Value — Unit is dependent on selected Engineering Units P1.11.2
V5.32	PID Output	%	23	PID Output
G5.33	Active Faults	—		See Page 6-22
G5.34	Fault History	—		See Page 6-24
G5.35	Multimonitor	—		See Page 6-24

^① Resettable via S.3.8.2 trip counters.

^② Includes BIN — Binary to decimal converted value for all digital inputs and digital and relay outputs.

^③ See description on **Page 6-22**.

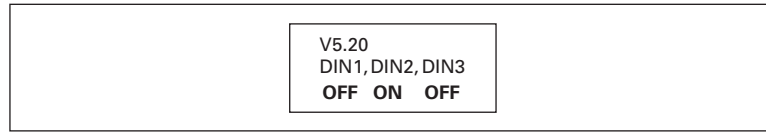


Figure 6-10: Digital Inputs DIN1, DIN2, DIN3 Status

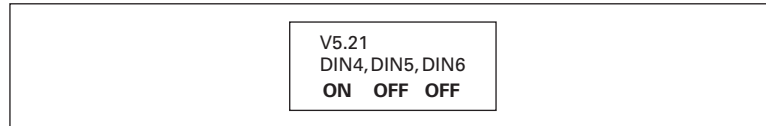


Figure 6-11: Digital Inputs DIN4, DIN5, DIN6 Status

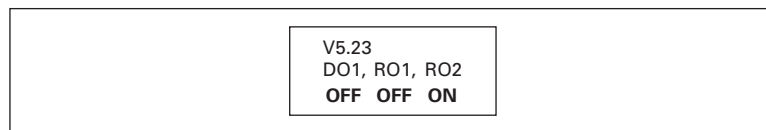


Figure 6-12: Digital Outputs DO1, RO1, RO2 Status

P5.13	Range: 4 – 7	Default: 5 (Minutes)
Run Display Format	<i>RUNSDPLYFORMAT</i>	
	This sets the format of the display for Motor Run Time , V 5.12.	
	4	Seconds
	5	Minutes
	6	Hours
	7	Days

Active Faults (G5.33)

When a fault occurs, the HVX9000 stops. The sequence indication F1, the fault code, a short description of the fault and the fault type symbol will appear on the display. In addition, the indication FAULT or ALARM is displayed and, in case of a FAULT, the red LED on the keypad starts to blink. If several faults occur simultaneously, the sequence of active faults can be browsed with the Browser buttons. See **Figure 6-13**.

The active faults memory can store the maximum of 10 faults in the sequential order of appearance. The display can be cleared with the STOP/RESET button and the readout will return to the same state it was before the fault trip. The fault remains active until it is cleared with the STOP/RESET button or with a reset signal from the I/O terminal.

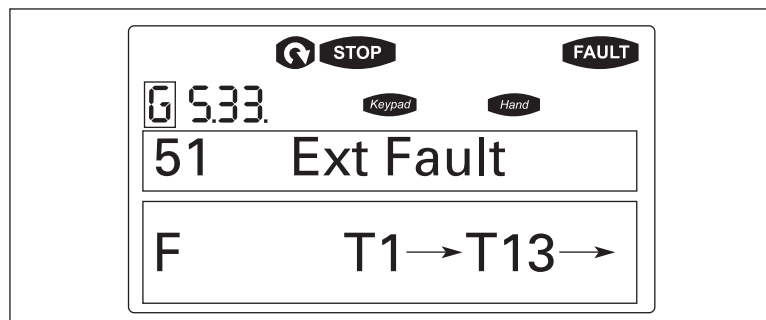


Figure 6-13: Active Fault Display Example

⚠ CAUTION

Remove any External Start signals or permissives before resetting the fault to prevent unintentional restart of the HVX9000, which could result in personal injury or equipment damage.

Fault Type Range: A, F, AR, FT
FAULT TYPE
 There are four different types of faults. These faults and their definitions are given **Table 6-12**.

Table 6-12: Fault Types

Fault Type	Fault Name	Description
A	Alarm	This type of fault is a sign of an unusual operating condition. It does not cause the drive to stop, nor does it require any special actions. The "A fault" remains in the display for about 30 seconds.
F	Fault	An "F fault" is a kind of fault that makes the drive stop. Actions need to be taken in order to restart the drive.
AR	Auto-Restart Fault	If an "AR fault" occurs the drive will also stop immediately. The fault is reset automatically and the drive tries to restart the motor. If the restart is not successful, a fault trip (FT) occurs.
FT	Fault Trip	If the drive is unable to restart the motor after an AR fault, an FT fault occurs. The effect of the "FT fault" is the same as that of the F fault — the drive is stopped.

Fault Code Range: 1 – 82
FAULT CODE
 Fault codes indicate the cause of the fault. A list of fault codes, their descriptions, and possible solutions can be found in **Appendix C – Fault and Warning Codes**.

Fault Time Data Range: T.1 – T.16
FAULT TIME DATA
 In this menu, important data recorded at the time the fault is available. This feature is intended to help the user or the service person to determine the cause of fault. **Table 6-13** indicates the information that is recorded.

Table 6-13: Fault Time Data

Data	Units	Description
T.1 ^①	D	Counted operation days (Fault 43: Additional code)
T.2	hh:mm:ss (d)	Counted operation hours (Fault 43: Counted operation days)
T.3	Hz hh:mm:ss	Output frequency (Fault 43: Counted operation hours)
T.4	A	Motor current
T.5	V	Motor voltage
T.6	%	Motor power
T.7	%	Motor torque
T.8	V	DC bus voltage
T.9	°C	Unit temperature
T.10	—	Run status
T.11	—	Direction
T.12	—	Warnings
T.13	—	Zero speed

^① Real time record:
If real time is set, T.1 and T.2 will appear as follows:

T.1	yyyy-mm-dd	Counted operation days (Fault 43: Additional code)
T.2	hh:mm:ss.sss	Counted operation hours (Fault 43: Counted operation days)

Fault History (G5.34)

All faults are stored in the Fault History Menu, which can be viewed by using the Browser buttons. Additionally, the Fault time data record pages are accessible for each fault as in the Active Faults Menu described above. See **Figure 6-14**.

The HVX9000's memory can store a maximum of 30 faults, in the order of appearance. If there are 30 uncleared faults in the memory, the next occurring fault will erase the oldest fault from the memory.

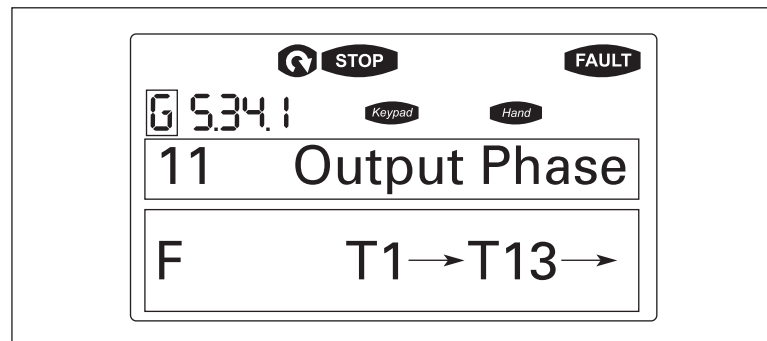


Figure 6-14: Sample Fault History Display

Note: Pressing the ENTER button for 3 seconds will clear the entire fault history.

Multimonitor (G5.35)

This Parameter allows the viewing and selection (if allowed by System menu item, P3.5.4) of three simultaneously monitored items from the Monitored Menu Items illustrated in **Table 6-11**. Use the right arrow key to select the item to be modified and then the up or down arrow keys to select the new item. Press the ENTER key to accept the change.

August 2006

Operate Menu

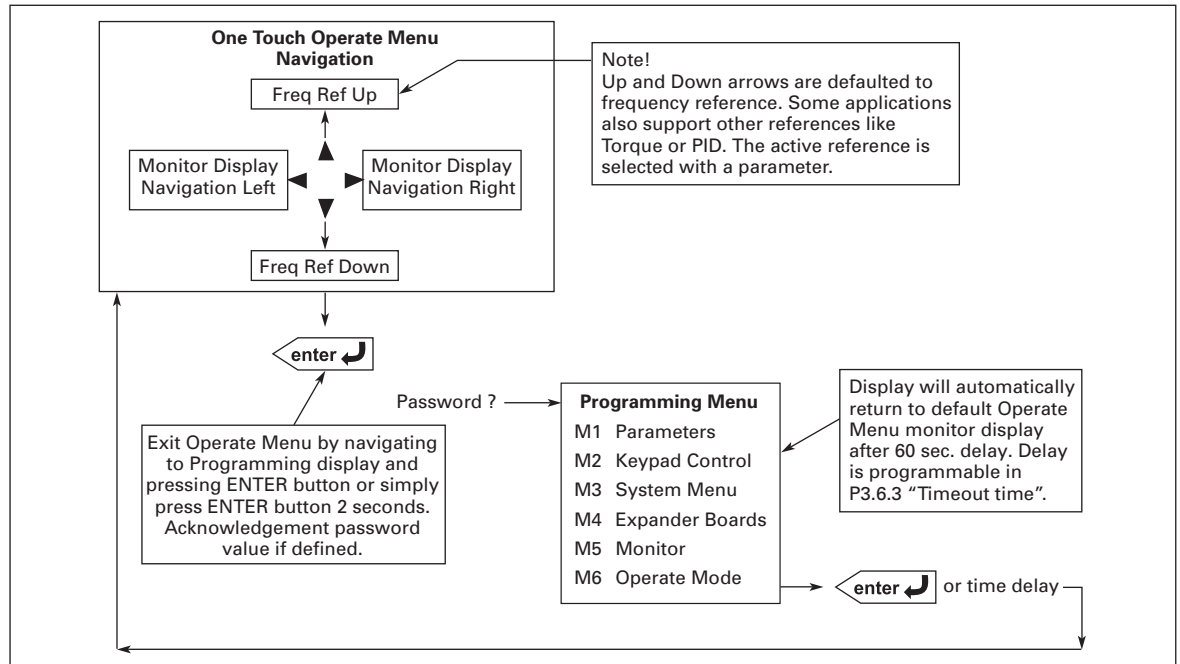


Figure 6-15: Operate Menu Navigation

The Operate Menu provides an easy to use method of viewing key numerical Monitoring Menu items. Some applications also support the setting of reference values in this menu. The items displayed vary by application. **Table 6-14** is an example of the first 11 menu variables for the IntelliPass application.

Table 6-14: Operate Menu Items — IntelliPass Application Example

Code	Signal Name	Unit	Description
O.1	Motor Speed	rpm	Calculated motor speed
O.2	Motor Nomspeed	%	Motor nominal speed
O.3	Freq Reference	Hz	Frequency Reference
O.4	Output Frequency	Hz	Output Frequency
O.5	Motor Current	A	Measured Motor Current
O.6	Motor Torque	%	Calculated torque based on nominal motor torque
O.7	Motor Power	%	Calculated motor voltage
O.8	DC-Bus Voltage	V	Measured DC-Bus Voltage
O.9	Unit Temperature	°C	Heatsink temperature
O.10	Calc. MotorTemp	%	Calculated motor temperature based on the motor nameplate information and the calculated motor load
O.11	Analog Input 1	V	Voltage input at Terminals AI1 + and GND

The menu is navigated by using the left and right arrow buttons. If a reference level is available for setting, the up and down arrow buttons adjust the value. To exit the Operate Menu to access the other menus, depress the ENTER button for 2 seconds. While in the other menus, if there is no keypad activity, the display will return to the Operate Menu after 60 seconds programmable per P3.6.3 "Timeout Time" parameter. **Figure 6-15** illustrates the Operate Menu button function.

August 2006

Chapter 7 — Start-Up

Safety Precautions

Before start-up, observe the following warnings and safety instructions.

 WARNING

- 1** Internal components and circuit boards (except the isolated I/O terminals) are at utility potential when the HVX9000 is connected to the line. This voltage is extremely dangerous and may cause death or severe injury if you come in contact with it.
- 2** When the HVX9000 is connected to the utility, the motor connections U (T1), V (T2), W (T3) and DC-link/brake resistor connections B-, B+ and R- are live even if the motor is not running.
- 3** Do not make any connections when the HVX9000 drive is connected to the utility line.
- 4** Do not open the cover of the HVX9000 immediately after disconnecting power to the unit, because components within the drive remain at a dangerous voltage potential for some time. Wait until at least five minutes after the cooling fan has stopped and the keypad or cover indicators are dark before opening the HVX9000 cover.
- 5** The control I/O terminals are isolated from the utility potential, but relay outputs and other I/Os may have dangerous external voltages connected even if power is disconnected from the HVX9000.
- 6** Before connecting to the utility make sure that the cover of the HVX9000 is closed.

Sequence of Operation

1. Read and follow all safety precautions.
2. At installation ensure:
 - a. That the HVX9000 and motor are connected to ground.
 - b. That the utility and motor cables are in accordance with the installation and connection instructions as detailed in **Chapter 3**.
 - c. That the control cables are located as far as possible from the power cables as detailed in **Chapter 4** and **Table 3-1**. That control cable shields are connected to protective ground. That no wires make contact with any electrical components in the HV9000.
 - d. That the common input of digital input groups is connected to +24V or ground of the I/O terminal supply or an external supply as detailed in **Chapter 4** and **Figure 4-6**.
3. Check the quality of the cooling air as detailed in **Chapter 2**.
4. Check that moisture has not condensed inside the HVX9000.
5. Check that all START/STOP switches connected to the I/O terminals are in the STOP state.
6. Connect the HVX9000 to the utility and switch the power on.
7. Ensure that Group G1.1 parameters match the application by setting the following parameters to match the motor nameplate:
 - P1.1.7 = the motor nominal current.
 - P1.1.8 = the nominal voltage of the motor.
 - P1.1.9 = the nominal nameplate frequency of the motor.
 - P1.1.10 = the nominal nameplate full load speed of the motor.
 - P1.1.11 = the motor power factor.

August 2006

8. Perform either Test A or Test B without the motor connected to the HVX9000.

Test A — Control from the Control Panel.

- Apply input power to the HVX9000.
- Press HOA button until HAND LCD is flashing, then press ENTER.
- Press the START button.
- Go to the Monitoring Menu and check that the output frequency follows the reference as detailed in **Reference Source Hand**.
- Press the STOP/RESET button.

Test B — Control from the I/O Terminals.

- Apply input supply power to the HVX9000.
- Change control from the keypad to the I/O terminals. Press HOA button until AUTO LCD is flashing, then press ENTER. Start drive by closing DIN1.
- Change the frequency reference, from where "Reference Source Auto" (P1.1.15) has been selected.
- Check from the monitoring menu at the control panel that the output frequency follows the frequency reference.
- Stop the drive by opening the start contact at DIN1.

Disconnect all power to the HVX9000. Wait until the cooling fan on the unit stops and the indicators on the panel are not lit. If no keypad is present, check the indicators in the cover. Wait at least five more minutes for the DC bus to discharge. Connect the motor to the HVX9000 and check for correct motor rotation. If possible, perform a start-up test with the motor connected to the HVX9000 but not connected to the process. If the HVX9000 must be tested with the motor connected to the process, perform it under no-load or light load conditions.

August 2006

Chapter 8 — Application Information

Parameter Menus

Parameter Group G1.1: Basic Parameters

P1.1.1 Minimum Frequency	Range: 0.00 – Max Frequency Units: Hertz <i>MIN FREQUENCY</i> Defines the minimum output frequency limit setting.	Default: 12.00
P1.1.2 Maximum Frequency	Range: Min Frequency – 320.00 Units: Hertz <i>MAX FREQUENCY</i> Defines the maximum output frequency limit setting.	Default: 60.00
P1.1.3 Acceleration Time 1	Range: 0.1 – 3000.0 Units: Seconds <i>ACCEL TIME 1</i> This defines the time required for the output frequency to change from the minimum frequency to the maximum frequency as set by Minimum Frequency and Maximum Frequency . With the use of Acceleration Time 1 and Acceleration Time 2 , two different acceleration times can be used for an application. The active set can be selected with one of the programmable digital inputs DIN2, DIN3, DIN4, DIN5 or DIN6. Note: If the PID-controller is used, Acceleration Time 2/Deceleration Time 2 is automatically selected.	Default: 60.0
V1.1.4 Accel Time 1, Read Only ^①	Range: 0.1 – 3000.0 Units: Seconds <i>ACCEL TIME 1, READ ONLY</i>	Default: 60.0
P1.1.5 Deceleration Time 1	Range: 0.1 – 3000.0 Units: Seconds <i>DECEL TIME 1</i> This defines the time required for the output frequency to change from the maximum frequency to the minimum frequency as set by Maximum Frequency and Minimum Frequency . With the use of Deceleration Time 1 and Deceleration Time 2 , two different deceleration times can be used for an application. The active set can be selected with one of the programmable digital inputs DIN2, DIN3, DIN4, DIN5 or DIN6. Note: If the PID-controller is used, Acceleration Time 2/Deceleration Time 2 is automatically selected.	Default: 60.0
V1.1.6 Decel Time 1, Read Only ^①	Range: 0.1 – 3000.0 Units: Seconds <i>DECEL TIME 1, READ ONLY</i>	Default: 60.0
P1.1.7 Motor Nominal Current	Range: $0.3 \times I_{nHVXL} - 2.0 \times I_{nHVXL}$ Units: Amperes <i>MOTOR NOM CURRNT</i> This is the motor nameplate full load current (I_n).	Default: I_{nHVXL}

^① This Read Only Value is only present when the Parameter Lock is set to "Change Disable". Also when the "Lock Panel" is "On" from the Siemens Apogee Network. The preceding parameter becomes invisible.

P1.1.8 Motor Nominal Voltage	Range: 180 – 690 Units: Volts <i>MOTOR NOM VOLTG</i> This is the motor nameplate base voltage. This parameter sets the voltage at the Field Weakening Point to 100% x V_n .	Default: 230 or 460 (Drive Rating)
P1.1.9 Motor Nominal Frequency	Range: 30.00 – 320.00 Units: Hertz <i>MOTOR NOM FREQ</i> This is the motor nameplate base frequency. This parameter sets the Field Weakening Point to the same value.	Default: 60.00
P1.1.10 Motor Nominal Speed	Range: 300 – 20,000 Units: rpm <i>MOTOR NOM SPEED</i> This is the motor nameplate base speed (N_n), which is used for displays using motor speed.	Default: 1760
P1.1.11 Motor Power Factor	Range: 0.30 – 1.00 <i>MOTORPOWERFACTOR</i> This is the motor nameplate full load power factor from the motor rating nameplate.	Default: 0.85
P1.1.12 Current Limit	Range: $0.1 \times I_L - 2.5 \times I_{nHVX}$ Units: Amperes <i>CURRENT LIMIT</i> This parameter determines the maximum motor current allowed from the HVX9000. The parameter value range differs from size to size and is based on the HVX9000 nameplate full load current.	Default: I_{nHVX}
P1.1.13 Current Limit, Read Only ^①	Range: $0.1 \times I_L - 2.5 \times I_{nHVX}$ Units: Amperes <i>CURRENT LIMIT, READ ONLY</i>	Default: I_{nHVX}
P1.1.14 HOA Control Source	Range: 0 – 2 <i>HOA CONTROL SRC</i> This parameter determines whether the HOA function is controlled from the keypad or terminal block. 0 Control from keypad 1 Control from I/O terminals 2 Control from communication bus Digital inputs need to be programmed for HAND/AUTO and/or OFF control, along with FB Fixed Control Word bits 4 – 7 corresponding to FB_DIN3-FB_DIN6.	Default: 0
P1.1.15 Start Source Hand	Range: 0 – 3 <i>START SRC HAND</i> This parameter determines where the Hand start is controlled from. 0 Keypad 1 BAS 2 I/O terminals 3-wire Start/Stop ^② 3 Keypad/Panel Damper ^③	Default: 0

^① This Read Only Value is only present when the Parameter Lock is set to "Change Disable". Also when the "Lock Panel" is "On" from the Siemens Apogee Network. The preceding parameter becomes invisible.

^② Digital inputs must be programmed for Run Enable/Interlock for 3-wire control.

^③ Digital inputs must be programmed for Run Enable/Interlock and "Damper Output" unless just using "Delay Start".

August 2006

P1.1.16 Reference Source Hand	<p>Range: 0 – 7 <i>REF SOURCE HAND</i></p> <p>This parameter determines the frequency reference input source when operating in the Hand mode.</p> <ul style="list-style-type: none"> 0 Analog Input AI1 1 Analog Input AI2 2 Analog Input AI3 3 Analog Input AI4 (Not operational at this time) 4 Keypad reference 5 Communication Bus 6 Motor potentiometer 7 PID-Controller — When selected PID Reference and Actual Value must be programmed in PID Control group. 	Default: 4
P1.1.17 Start Source Auto	<p>Range: 0 – 3 <i>START SRCE AUTO</i></p> <p>This parameter determines where the Auto start is controlled from.</p> <ul style="list-style-type: none"> 0 Keypad 1 BAS I/O terminal 2-wire Start/Stop 2 I/O terminals 3-wire Start/Stop ^① 3 Communication bus 	Default: 1
^① Digital inputs must be programmed for Run Enable/Interlock for 3-wire control.		
P1.1.18 Reference Source Auto	<p>Range: 0 – 7 <i>REF SOURCE AUTO</i></p> <p>This parameter determines the frequency reference input source when operating in the Auto mode.</p> <ul style="list-style-type: none"> 0 Analog Input AI1 1 Analog Input AI2 2 Analog Input AI3 3 Analog Input AI4 (Not operational at this time) 4 Keypad 5 Communication Bus 6 Motor potentiometer 7 PID-Controller — When selected PID Reference and Actual Value must be programmed in PID Control group. 	Default: 0
P1.1.19 PM Setback Percentage	<p>Range: 0.0 – 100.0 Units: Percent <i>PM SETBACK PCT</i></p> <p>This parameter determines the frequency reference for PM setback operation when DIN2, DIN4, DIN5 or DIN6 are set to control PM Setback and closed.</p>	Default: 30.0
P1.1.20 Smoke Purge	<p>Range: 0.0 – 100.0 Units: Percent <i>SMOKE PURGE</i></p> <p>Speed setting for Smoke Purge.</p>	Default: 60.0

Parameter Group G1.2: Input Signals

P1.2.1 DIN1 Function	Range: 0 – 3 <i>DIN1 FUNCTION</i> This parameter determines the function of digital input DIN1. 0 Start – standard start 1 Interlocked Start – To use this, a relay output, RO1 – RO8, needs to be programmed for selections 27 “Open Damper,” and a digital input DIN2 to DIN6 must be programmed for selection 3 “RunEn/INTLK.” The relay output is used to energize an element of the driven system, such as a damper, seal water solenoid, or a pre-lube pump. Upon a return acknowledgement contact closure to the programmed digital input, the HVX9000 will start. 2 Interlock Time Start – This functions the same as the Interlocked Start, except that if the return acknowledgement contact is not received within the Interlock Timeout , an “IntlkTimeExpired RestartDrive” message is displayed and the start sequence will need to be restarted. 3 Delay Start – This start is similar to the Interlocked Start, except that a return contact is not used. After the “Delay Time” following the relay output closure, the HVX9000 starts. Note: Selections 1 – 3 will only function properly with BAS selected for the “Start Source”.	Default: 0 (Start)
P1.2.2 Interlock Timeout	Range: 1 – 32,500 Units: Seconds <i>INTLK TIMEOUT</i> The timeout time used for an Interlocked Time Start, after which the start sequence must be restarted if no acknowledgement contact is received. See DIN1 Function . This parameter is also used for the Panel Damper Function “Interlock Time Start,” P2.5.	Default: 5
P1.2.3 Delay Time	Range: 1 – 32,500 Units: Seconds <i>DELAY TIME</i> The delay time following a Delay Start, after which the HVX9000 will be started. See DIN1 Function . This parameter is also used for the Panel Damper Function “Delay Start”, P2.5.	Default: 5

August 2006

**P1.2.4
DIN2 Function**

Range: 0 – 15

Default: 1
(Ext fault close)*DIN2 FUNCTION*

This parameter determines the function of digital input DIN2. If DIN2 is not being used, set this parameter value to 0.

- 0 Enable Bypass
- 1 Ext. Fault Close
- 2 Bypass Ovid Fault
- 3 Run enable/External interlock –
Contact open: HVX9000 start disabled
Contact closed: HVX9000 start enabled
- 4 Acceleration or deceleration time selection –
Contact open: Acceleration/Deceleration time 1 selected
Contact closed: Acceleration/Deceleration time 2 selected
- 5 Hand/Auto Select – contact closed: Auto control selected
- 6 PID Control – contact closed: PID control selected
- 7 Motor potentiometer down – contact closed: Motor potentiometer down selected
- 8 PID Reference 2 Select – selects between **PID Reference** and PID Setpoint 2 from keypad
- 9 PM Setback – contact closed: PM Setback enabled
- 10 Fault reset – contact closed: All faults reset
- 11 Acceleration/Deceleration prohibited –
Contact closed: No acceleration or deceleration possible until the contact is opened
- 12 HOA On/Off – contact closed: HOA Off
- 13 Speed Select 3
- 14 Fire Mode – contact closed: Fire Mode selected. See **Page 8-48**.
- 15 Fire Mode Preset Reference Select
Contact open or closed based on **FMRRefSelFunction**. If this input is “ON” then **FireModeFreqRef1** or **FireModeFreqRef2** is selected as a “Preset Speed.”

P1.2.5
DIN3 Function

Range: 0 – 15

Default: 10 (Fault Reset)

DIN3 FUNCTION

This parameter determines the function of digital input DIN3. If DIN3 is not being used, set this parameter to 0.

- 0 Enable Bypass
- 1 External fault – contact closed: Fault is displayed and motor stopped
- 2 External fault – contact open: Fault is displayed and motor stopped
- 3 Run enable/External interlock –
Contact open: HVX9000 start disabled
Contact closed: HVX9000 start enabled
- 4 Acceleration or deceleration time selection –
Contact open: Acceleration/Deceleration time 1 selected
Contact closed: Acceleration/Deceleration time 2 selected
- 5 Hand/Auto Select – contact closed: Auto control selected
- 6 Motor potentiometer up – contact closed: Motor potentiometer up selected
- 7 PID Control – contact closed: PID control selected
- 8 PID Reference 2 Select
- 9 Speed Select 1 – contact closed
- 10 Fault reset – contact closed: All faults reset
- 11 Acceleration/Deceleration prohibited –
Contact closed: No acceleration or deceleration possible until the contact is opened
- 12 DC braking command –
Contact closed: In Stop mode, the DC braking operates until the contact is opened. See **Figure 8-1**.
- 13 Smoke Purge
- 14 Fire Mode – contact closed: Fire Mode selected. See **Page 8-48**.
- 15 Fire Mode Preset Reference Select
Contact open or closed based on *FMRefSelFunction*. If this input is "ON" then *FireModeFreqRef1* or *FireModeFreqRef2* is selected as a "Preset Speed."

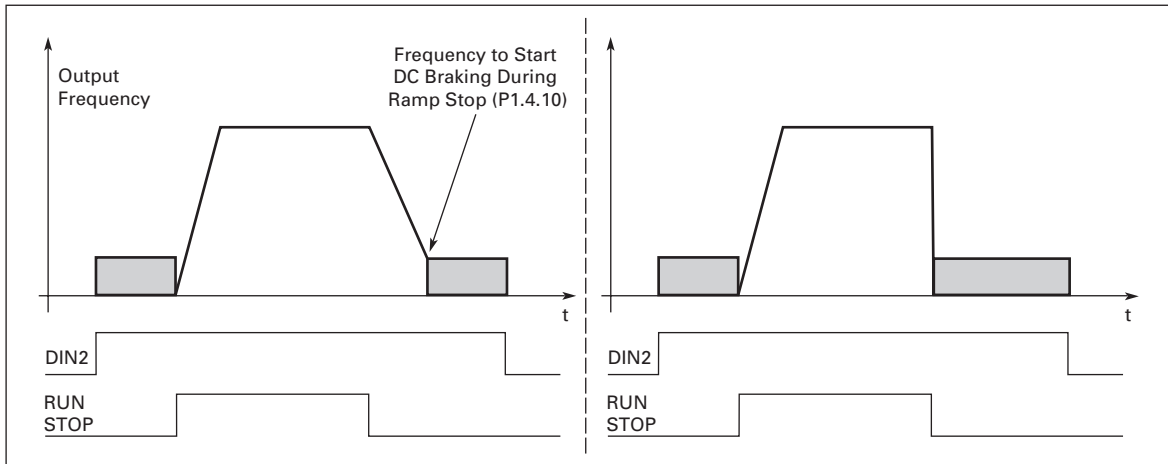


Figure 8-1: DC Braking Command

August 2006

P1.2.6	Range: 0 – 15	Default: 4 (Accel/decel time sel)
DIN4 Function	<i>DIN4 FUNCTION</i>	
	This parameter determines the function of digital input DIN4. If DIN4 is not being used, set this parameter to 0.	
	0 Enable Bypass	
	1 External fault – contact closed: Fault is displayed and motor stopped	
	2 External fault – contact open: Fault is displayed and motor stopped	
	3 Run enable/External interlock – Contact open: HVX9000 start disabled Contact closed: HVX9000 start enabled	
	4 Acceleration or deceleration time selection – Contact open: Acceleration/Deceleration time 1 selected Contact closed: Acceleration/Deceleration time 2 selected	
	5 Hand/Auto Select – contact closed: Auto control selected	
	6 PID Control – contact closed: PID control selected	
	7 Motor potentiometer down – contact closed: Motor potentiometer down selected	
	8 Reverse	
	9 PM Setback	
	10 Fault reset – contact closed: All faults reset	
	11 Speed Select 2	
	12 DC braking command – Contact closed: In Stop mode, the DC braking operates until the contact is opened. See Figure 8-1 .	
	13 HOA ON/OFF	
	14 Fire Mode – contact closed: Fire Mode selected. See Page 8-48 .	
	15 Fire Mode Preset Reference Select 1 / 2 Contact opened: Fire Mode Reference 1 selected Contact closed: Fire Mode Reference 2 selected	

- P1.2.7** Range: 0 – 15 Default: 13 (PM Setback)
DIN5 Function *DIN5 FUNCTION*
- This parameter determines the function of digital input DIN5. If DIN5 is not being used, set this parameter to 0.
- 0 Enable Bypass
 - 1 External fault – contact closed: Fault is displayed and motor stopped
 - 2 External fault – contact open: Fault is displayed and motor stopped
 - 3 Run enable/External interlock –
Contact open: HVX9000 start disabled
Contact closed: HVX9000 start enabled
 - 4 Acceleration or deceleration time selection –
Contact open: Acceleration/Deceleration time 1 selected
Contact closed: Acceleration/Deceleration time 2 selected
 - 5 Hand/Auto Select – contact closed: Auto control selected
 - 6 Motor potentiometer up – contact closed: Motor potentiometer up selected
 - 7 PID Control – contact closed: PID control selected
 - 8 Reverse – contact closed: Reverses motor direction
 - 9 DC Brake Command – contact closed: DC Brake is enabled
 - 10 Fault reset – contact closed: All faults reset
 - 11 Acceleration/Deceleration prohibited –
Contact closed: No acceleration or deceleration possible until the contact is opened
 - 12 HOA On/Off – contact closed: HOA Off
 - 13 PM Setback – contact closed: PM Setback enabled
 - 14 Fire Mode – contact closed: Fire Mode selected. See **Page 8-48**.
 - 15 Fire Mode Preset Reference Select 1 / 2
Contact opened: Fire Mode Reference 1 selected
Contact closed: Fire Mode Reference 2 selected

August 2006

P1.2.8 DIN6 Function	Range: 0 – 15 <i>DIN6 FUNCTION</i>	Default: 11 (Speed Select 3)
	<p>This parameter determines the function of digital input DIN6. If DIN6 is not being used, set this parameter to 0. On IntelliPass DIN6 is automatically set to "Bypass Overload Fault"; selection 13. However if DIN2 is already programmed for "Bypass Overload Fault", selection 2, this will not occur.</p>	
	<ul style="list-style-type: none"> 0 Not Used 1 External fault – contact closed: Fault is displayed and motor stopped 2 External fault – contact open: Fault is displayed and motor stopped 3 Run enable/External interlock – Contact open: Drive start disabled Contact closed: Drive start enabled 4 Acceleration or deceleration time selection – Contact open: Acceleration/Deceleration time 1 selected Contact closed: Acceleration/Deceleration time 2 selected 5 Hand/Auto Select – contact closed: Auto control selected 6 Motor potentiometer up – contact closed: Motor potentiometer up selected 7 Motor potentiometer down – contact closed: Motor potentiometer down selected 8 PID Reference 2 Select 9 PM Setback – contact closed: PM Setback enabled 10 Fault reset – contact closed: All faults reset 11 Speed Select 3 – contact closed 12 HOA On/Off – contact closed: HOA Off 13 Bypass Overload Fault 14 Fire Mode – contact closed: Fire Mode selected 15 Fire Mode Preset Reference Select 1 / 2 Contact opened: Fire Mode Reference 1 selected Contact closed: Fire Mode Reference 2 selected This selection is automatically set to 13 (Bypass Overload Fault) if P1.10.1 (IntelliPass) has Bypass enabled or if P1.10.3 (Auto Bypass) is enabled. 	
	<p>Note: If P1.2.4 DIN2 Function Selection 2, Bypass OvlD Fault is already programmed DIN6 will NOT change!</p>	
P1.2.9 AI1 Signal Range	Range: 0 – 2 Units: Percent <i>AI1 SIGNAL RANGE</i>	Default: 0 (0 – 20 mA / 0 – 100%)
	<p>With this parameter you can select the analog input 1 signal range.</p>	
	<ul style="list-style-type: none"> 0 Signal range 0 – 20 mA / 0 – 100% 1 Signal range 4 – 20 mA / 20 – 100% 2 Customized signal range defined with AI1 Custom Minimum and AI1 Custom Maximum 	
P1.2.10 AI1 Custom Minimum	Range: 0.00 – AI1 Custom Minimum Units: Percent <i>AI1 CUSTOM MIN</i>	Default: 0.00%
	<p>This parameter allows the setting of minimum level for the customized analog input 1 as a percentage of 10V.</p>	
P1.2.11 AI1 Custom Maximum	Range: AI1 Custom Maximum – 100.00% Units: Percent <i>AI1 CUSTOM MAX</i>	Default: 100.00%
	<p>This parameter allows the setting of the maximum level for the customized analog input 1 as a percentage of 10V.</p>	

P1.2.12 Range: 0 – 1 Default: 0 (No Inversion)
AI1 Signal Inversion *AI1 SIGNAL INV*
 Setting this parameter to 1 causes the maximum set output to occur with the minimum reference input and the minimum set output to occur with the maximum reference input.
 0 No Inversion
 1 AI1 signal inverted

P1.2.13 Range: 0.00 – 10.00 Default: 0.10
AI1 Filter Time Units: Seconds *AI1 FILTER TIME*
 This parameter, given a value greater than 0, activates the function that filters out disturbances from the incoming analog input 1 (V_{in}) signal. Long filtering time makes the signal change slower. See **Figure 8-2**.

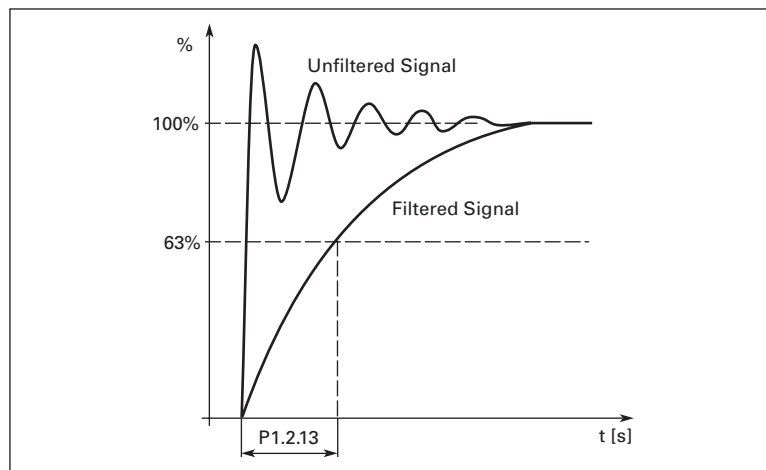


Figure 8-2: AI1 Signal Filtering

P1.2.14 Range: 0 – 2 Default: 1 (4 – 20 mA / 20 – 100%)
AI2 Signal Range Units: Percent *AI2 SIGNAL RANGE*
 0 Signal range 0 – 20 mA / 0 – 100%
 1 Signal range 4 – 20 mA / 20 – 100%
 2 Custom signal range (see **AI2 Custom Minimum** and **AI2 Custom Maximum**)

P1.2.15 Range: 0.00 – AI2 Custom Max Default: 0.00%
AI2 Custom Minimum Units: Percent *AI2 CUSTOM MIN*
 This parameter allows the setting of the minimum level of analog input 2 as a percentage of 20 mA. See also **AI1 Custom Minimum**.

P1.2.16 Range: AI2 Custom Min – 100.00% Default: 100.00%
AI2 Custom Maximum Units: Percent *AI2 CUSTOM MAX*
 This parameter allows the setting of the maximum level of analog input 2 as a percentage of 20 mA. See also **AI1 Custom Maximum**.

August 2006

P1.2.17 Range: 0 – 1 Default: 0 (No Inversion)
AI2 Signal Inversion
AI2 SIGNAL INV
 Setting this parameter to 1 causes the maximum set output to occur with the minimum reference input and the minimum set output to occur with the maximum reference input. See also **AI1 Signal Inversion**.
 0 No Inversion
 1 AI2 signal inverted

P1.2.18 Range: 0.00 – 10.00 Default: 0.10
AI2 Filter Time
AI2 FILTER TIME
 This parameter, given a value greater than 0, activates the function that filters out disturbances from the analog input 2 (I_{in}) signal. A long filtering time makes the signal change slower. See **Figure 8-3**.

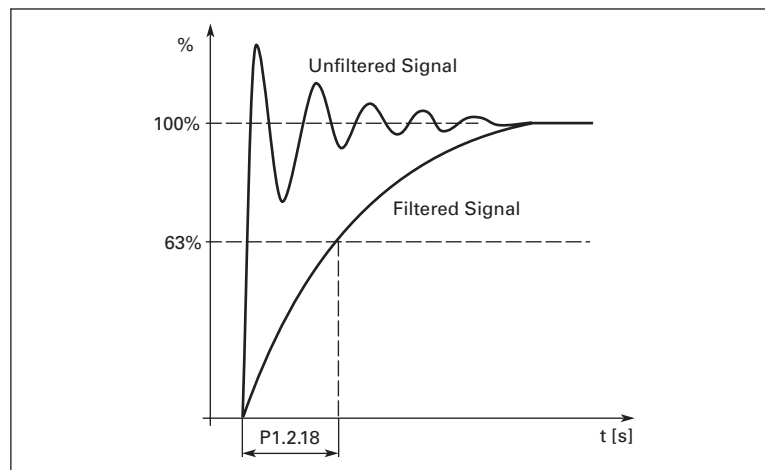


Figure 8-3: AI2 Signal Filtering

P1.2.19 Range: 0.1 – 2000.0 Default: 10.0
Motor Potentiometer Ramp Time
MOTORPOT RAMP TIME
 Defines the rate of change of the reference from the motor potentiometer.

P1.2.20 Range: 0 – 2 Default: 1
Motor Potentiometer Memory Reset (Frequency Reference)
MOTORPOTMEMFREQREF
 This parameter sets whether the memory of the motor potentiometer, when used as a frequency reference, is maintained or reset at stop or power down.
 0 No reset
 1 Memory reset at stop and power down
 2 Memory reset at power down

P1.2.21 Range: 0 – 2 Default: 0 (No Reset)
Motor Potentiometer Memory Reset (PID Reference)
MOTORPOTMEMPIDREF
 This parameter sets whether the memory of the motor potentiometer, when used as a PID reference, is maintained or reset at stop or power down.
 0 No reset
 1 Memory reset at stop and power down
 2 Memory reset at power down

**P1.2.22
Reference Scale
Minimum**

Range: 0.00 – Ref Scale Max Default: 60.00
Units: Hertz
REF SCALE MIN

This parameter allows the scaling of the minimum frequency reference from its preset value to a value less than that set by the **Reference Scale Maximum** parameter. If no scaling is desired, set this parameter to 0.

An example is shown in **Figure 8-4**. Voltage input AI1, with a signal range of 0 – 10V, is selected for the Place B reference, and its minimum and maximum output values are scaled from their preset values by using the **Reference Scale Minimum** and **Reference Scale Maximum** parameters.

**P1.2.23
Reference Scale
Maximum**

Range: Ref Scale Min – 320.00 Default: 60.00
Units: Hertz
REF SCALE MAX

This parameter allows the scaling of the maximum frequency reference from its preset value to a value greater than that set by the **Reference Scale Minimum** parameter. If no scaling is desired, set this parameter to 0.

An example is shown in **Figure 8-4**. Voltage input AI1, with a signal range of 0 – 10V, is selected for the Place B reference, and its minimum and maximum output values are scaled from their preset values by using the **Reference Scale Minimum** and **Reference Scale Maximum** parameters.

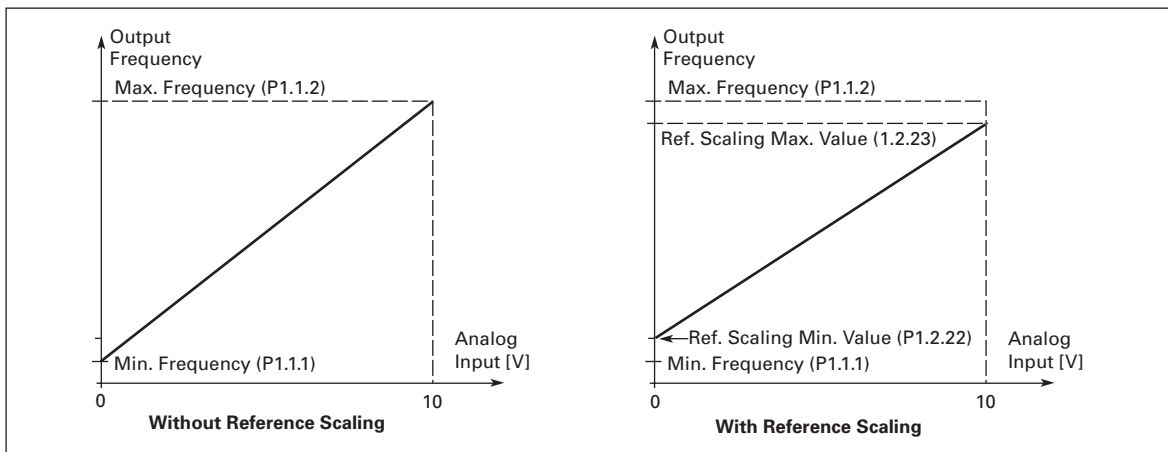


Figure 8-4: Control Place B with and without Reference Scaling

**P1.2.24
AI3 Signal
Selection**

Range: AnIN:0.1 – AnIN:E.10 Default: AnIN:0.1
AI3 SIGNAL SEL

Connect the AI3 signal to the analog input of your choice with this parameter.

**P1.2.25
AI3 Signal Range**

Range: 0 – 1 Default: 1 (4 – 20 mA/20 – 100%)
AI3 SIGNAL RANGE

This parameter sets the signal range of analog input 3.

0 Signal range 0 – 20 mA / 0 – 100%

1 Signal range 4 – 20 mA / 20 – 100%

This parameter allows the setting of the maximum level of analog input 2 as a percentage of 20 mA. See also **AI1 Custom Maximum**.

August 2006

P1.2.26 AI3 Signal Inversion	Range: 0 – 1 <i>AI3 SIGNAL INV</i> Setting this parameter to 1 causes the maximum set output to occur with the minimum reference input and the minimum set output to occur with the maximum reference input. 0 No inversion 1 AI3 signal inverted	Default: 0 (No Inversion)
P1.2.27 AI3 Filter Time	Range: 0.00 – 10.00 Units: Seconds <i>AI3 FILTER TIME</i> When this parameter is given a value greater than 0, it activates the function that filters out disturbances from the incoming analog input 3 signal. A long filtering time makes the signal change slower. See Figure 8-3 .	Default: 0.10
P1.2.28 AI4 Signal Selection	Range: AnIN:0.1 – AnIN:E.10 <i>AI4 SIGNAL SEL</i> Connect the AI4 signal to the analog input of your choice with this parameter.	Default: AnIN:0.1
P1.2.29 AI4 Signal Range	Range: 0 – 1 <i>AI4 SIGNAL RANGE</i> This parameter sets the signal range of analog input 4. 0 Signal range 0 – 20 mA / 0 – 100% 1 Signal range 4 – 20 mA / 20 – 100%	Default: 1 (4 – 20 mA/20 – 100%)
P1.2.30 AI4 Signal Inversion	Range: 0 – 1 <i>AI4 SIGNAL INV</i> Setting this parameter to 1 causes the maximum set output to occur with the minimum reference input and the minimum set output to occur with the maximum reference input.	Default: 0 (No Inversion)
P1.2.31 AI4 Filter Time	Range: 0.00 – 10.00 Units: Seconds <i>AI4 FILTER TIME</i> When this parameter is given a value greater than 0, it activates the function that filters out disturbances from the analog input 4 signal. A long filtering time makes the signal change slower. See Figure 8-3 .	Default: 0.10

P1.2.32 Interlock/Run Enable Display Text Parameters	Range: 0 – 9	
	<i>INTLK TEXT DIN2</i>	
	1.2.32.1 Interlock/Run Enable Text for DIN2	Default: 0
	<i>INTLK TEXT DIN3</i>	
	1.2.32.2 Interlock/Run Enable Text for DIN3	Default: 0
	1.2.32.3 Interlock/Run Enable Text for DIN4	Default: 0
	<i>INTLK TEXT DIN5</i>	
	1.2.32.4 Interlock/Run Enable Text for DIN5	Default: 0
	<i>INTLK TEXT DIN6</i>	
	1.2.32.5 Interlock/Run Enable Text for DIN6	Default: 0

When a Digital Input is selected for External Interlock/Run Enable, the user has a choice of the following text displays when the contact is open.

- 0 Ext Interlock
- 1 Run Enable
- 2 Vibration Cutout
- 3 High Motor Temperature
- 4 Freeze Stat Trip
- 5 Low Pressure
- 6 High Pressure
- 7 Low Water
- 8 Smoke Detect
- 9 3-Wire Off
- 10 Damper Interlock
- 11 Open Safety (See Note below)
- 12 Seal Leakage
- 13 Valve Sequence
- 14 Megger Shutdown

Note: When "Open Safety" is used along with "Damper Output" the operation of the start sequence is "restarted" when the contact opens. This varies only in "BAS" control whereas if any other of the selections above are used, the damper output relay will remain ON when this contact is opened and the motor will automatically restart when contact is closed. If selection 11 (Open Safety) is selected, the damper output will turn OFF when the input is open. Once the "Open Safety" input is "closed", the damper output will turn ON and the motor will restart automatically as long as the BAS Start (DIN1) is "maintained" closed.

August 2006

Parameter Group G1.3: Output Signals

**P1.3.1
Analog Output
(A_{out}) Content**

Range: 0 – 13

Default: 1 (Output Frequency)

ANALOG OUT FUNCTION

This parameter selects the desired function for the analog output signal.

- 0 Not used
- 1 Output frequency (0 – f_{max})
- 2 Frequency reference (0 – f_{max})
- 3 Motor speed (0 – Motor nominal speed)
- 4 Output current (0 – I_{nMotor})
- 5 Motor torque (0 – T_{nMotor})
- 6 Motor power (0 – P_{nMotor})
- 7 Motor voltage (0 – V_{nMotor})
- 8 DC-link voltage (0 – 1000V)
- 9 PID controller reference value
- 10 PID controller actual value 1
- 11 PID controller actual value 2
- 12 PID controller error value
- 13 PID controller output

**P1.3.2
Analog Output
(A_{out}) Filter Time**

Range: 0.00 – 10.00

Default: 1.00

Units: Seconds

A_{OUT} FILTER TIME

When this parameter is given a value greater than 0, it activates the function that filters out disturbances from the analog output signal. A long filtering time makes the output signal change slower. If you set a value of 0, no filtering takes place. See **Figure 8-5**.

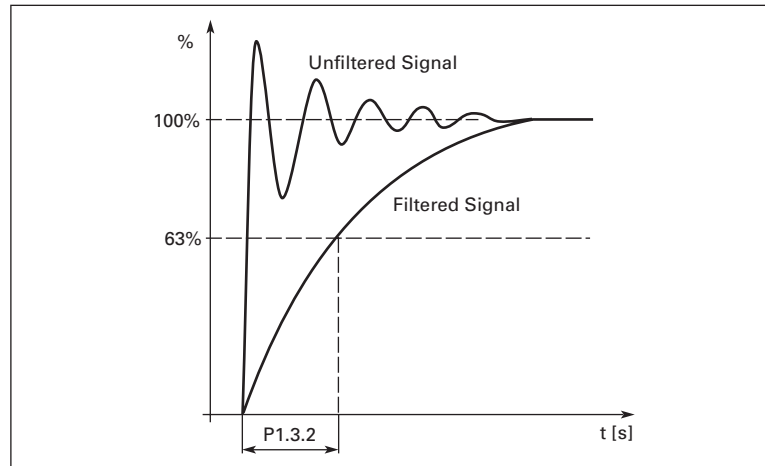


Figure 8-5: Analog Output Filtering

P1.3.3 Range: 0 – 1 Default: 0 (Not Inverted)
A_{out} Invert *A_{OUT} INVERT*
 Setting this parameter to 1 inverts the analog output signal so that the maximum output occurs at the minimum value of the **Analog Output (A_{out}) Content** parameter and the minimum output occurs at the maximum value of the **Analog Output (A_{out}) Content** parameter. See **Figure 8-6**.
 0 Not inverted
 1 Inverted

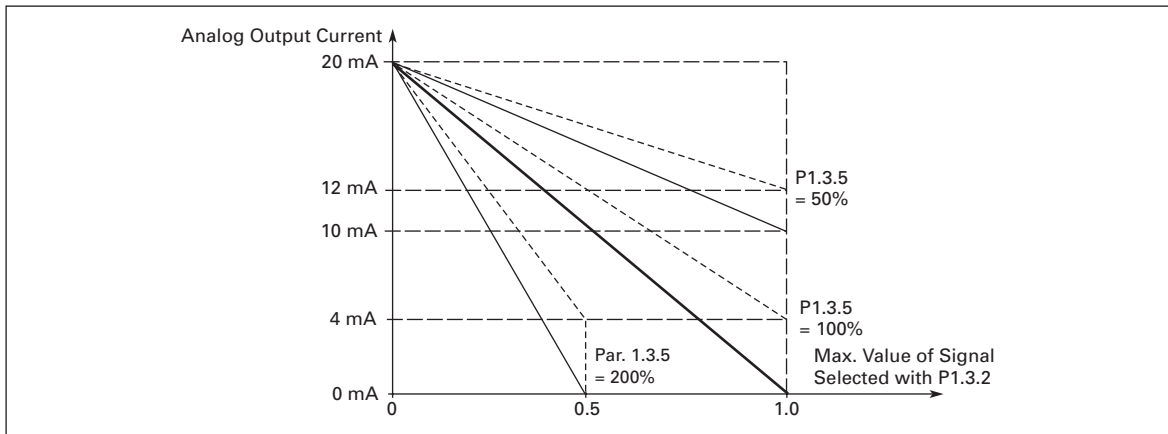


Figure 8-6: Analog Output Inversion

P1.3.4 Range: 0 – 1 Default: 0 (0 mA)
Analog Output (A_{out}) Minimum *A_{OUT} MINIMUM*
 Sets the signal minimum to either 0 mA or 4 mA.
 0 0 mA minimum
 1 4 mA minimum

P1.3.5 Range: 10 – 1000 Default: 100
Analog Output (A_{out}) Scale *A_{OUT} SCALE*
 See **Figures 8-6** and **8-7** and **Table 8-1** for scaling information and examples.

Table 8-1: Scaling Factor for the Analog Output

Signal	Maximum Value of the Signal
Output frequency	100 x f _{max}
Motor speed	100% x Motor nominal speed
Output current	100% x I _{nMotor}
Motor torque	100% x T _{nMotor}
Motor power	100% x P _{nMotor}
Motor voltage	100% x V _{nmotor}
DC-link voltage	1000 V
PI-ref. value	100% x ref. value max.
PI act. value 1	100% x actual value max.
PI act. value 2	100% x actual value max.
PI error value	100% x error value max.
PI output	100% x output max

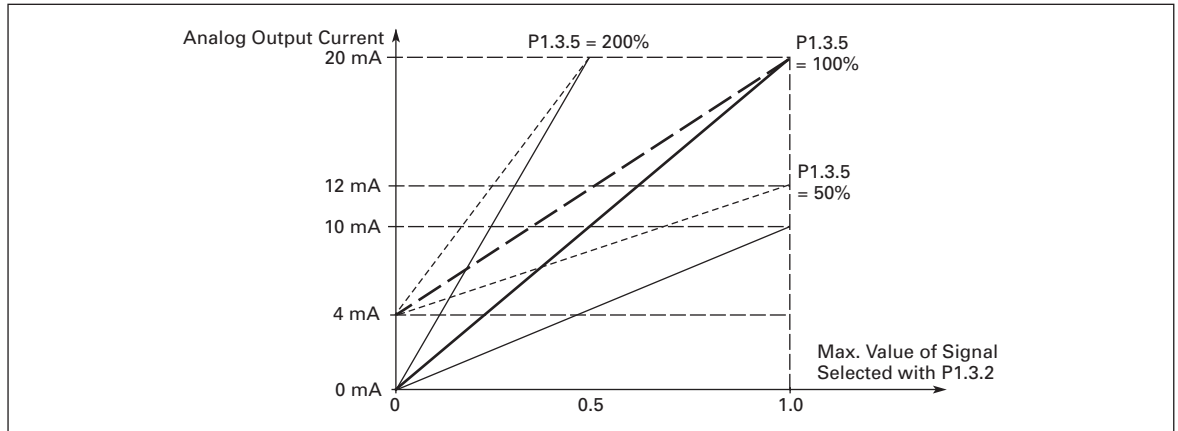


Figure 8-7: Analog Output Scale

P1.3.6
Digital Output 1
(DO1) Function

Range: 1 – 26

Default: 1 (Ready)

DO1 FUNCTION

Digital output DO1 sinks current when the selected setting is true. See **Table 8-2** for setting information.

Table 8-2: DO1 Function Settings

Setting		Signal Content
1	Ready	The HVX9000 is ready to operate
2	Run	The HVX9000 is operating (motor is running)
3	Fault	A fault trip has occurred
4	Fault inverted	A fault trip has not occurred
5	Drive overheat warning	The heat-sink temperature exceeds +70C
6	External fault or warning	Fault or warning depending on External Fault
7	Reference fault or warning	Fault or warning depending on 4 mA (Reference) Fault Response — if analogue reference is 4 – 20 mA and signal is <4 mA
8	Warning	Always if a warning exists
9	Reversed	The reverse command has been selected
10	Bypass Run	Bypass has been selected
11	At speed	The output frequency has reached the set reference
12	Motor regulator activated	Overvoltage or overcurrent regulator was activated
13	Output frequency limit 1 supervision	The output frequency is outside the set supervision low limit/high limit (see Frequency Supervision Function 1 and Speed Supervision Value 1)
14	Output frequency limit 2 supervision	The output frequency is outside the set supervision low limit/high limit (see Frequency Supervision Function 2 and Speed Supervision Value 2)

Table 8-2: DO1 Function Settings, continued

Signal	Signal Content
15	Torque limit supervision The motor torque is beyond the set supervision low limit/high limit (see Torque Supervision Function and Torque Supervision Value)
16	Reference limit supervision Active reference is beyond the set supervision low limit/high limit (see Reference Supervision Limit and Reference Supervision Value)
17	External brake control External brake ON/OFF control with programmable delay (see External Brake Off Delay and External Brake On Delay)
18	Control from I/O terminals In external control mode
19	Drive temperature limit supervision Frequency converter heatsink temperature goes beyond the set supervision limits (see Temperature Function Supervision and Temperature Supervision Value)
20	Unrequested rotation direction Motor rotation direction is different from the requested one.
21	External brake control inverted External brake ON/OFF control (see External Brake Off Delay and External Brake On Delay); Output active when brake control is OFF
22	Thermistor fault or warning The thermistor input of option board indicates overtemperature. Fault or warning depending on Thermistor Fault Response
23	Pass Through Communications Output can be "forced" on via Fldbus
24	Fire Mode Fire Mode is active
25	Auto Control In Auto Control mode
26	Hand Control In Hand Control mode

P1.3.7
Relay Output 1
(RO1) Function

Range: 1 – 28

Default: 2 (Run)

RO1 FUNCTION

Relay output RO1 is activated when the selected setting is true. See Table 8-3 for setting information.

Table 8-3: RO1 Function Settings

Setting	Signal Content
0	Not used —
1	Ready The HVX9000 is ready to operate
2	Run The HVX9000 is operating (motor is running)
3	Fault A fault trip has occurred
4	Fault inverted A fault trip has not occurred
5	Drive overheat warning The heat-sink temperature exceeds +70C
6	External fault or warning Fault or warning depending on External Fault
7	Reference fault or warning Fault or warning depending on 4 mA (Reference) Fault Response — if analogue reference is 4 – 20 mA and signal is <4 mA

Table 8-3: RO1 Function Settings, continued

Setting		Signal Content
8	Warning	Always if a warning exists
9	Reversed	The reverse command has been selected
10	Bypass Run	Bypass has been selected
11	At speed	The output frequency has reached the set reference
12	Motor regulator activated	Overvoltage or overcurrent regulator was activated
13	Output frequency limit 1 supervision	The output frequency is outside the set supervision low limit/high limit (see Frequency Supervision Function 1 and Speed Supervision Value 1)
14	Output frequency limit 2 supervision	The output frequency is outside the set supervision low limit/high limit (see Frequency Supervision Function 2 and Speed Supervision Value 2)
15	Torque limit supervision	The motor torque is beyond the set supervision low limit/high limit (see Torque Supervision Function and Torque Supervision Value)
16	Reference limit supervision	Active reference is beyond the set supervision low limit/high limit (see Reference Supervision Limit and Reference Supervision Value)
17	External brake control	External brake ON/OFF control with programmable delay (see External Brake Off Delay and External Brake On Delay)
18	Control from I/O terminals	In external control mode
19	Drive temperature limit supervision	Frequency converter heatsink temperature goes beyond the set supervision limits (see Temperature Function Supervision and Temperature Supervision Value)
20	Unrequested rotation direction	Motor rotation direction is different from the requested one
21	External brake control inverted	External brake ON/OFF control (see External Brake Off Delay and External Brake On Delay); Output active when brake control is OFF
22	Thermistor fault or warning	The thermistor input of option board indicates overtemperature. Fault or warning depending on Thermistor Fault Response
23	Pass Through Communications	Output can be "forced" on via Fldbus
24	Fire Mode	Fire Mode is active
25	Auto Control	In Auto Control mode
26	Hand Control	In Hand Control mode
27	Start Delay Relay	Starts delay relay
28	Run Bypass or Drive	Running in Bypass or Drive

P1.3.8
Relay Output 2
(RO2) Function

Range: 1 – 28

Default: 3 (Fault)

RO2 FUNCTION

Relay output RO2 is activated when the selected setting is true. See **Table 8-4** for setting information.

Table 8-4: RO2 Function Settings

Setting	Signal Content
0	Not used
1	Ready
2	Run
3	Fault
4	Fault inverted
5	Drive overheat warning
6	External fault or warning
7	Reference fault or warning
8	Warning
9	Reversed
10	Bypass Run
11	At speed
12	Motor regulator activated
13	Output frequency limit 1 supervision
14	Output frequency limit 2 supervision
15	Torque limit supervision
16	Reference limit supervision
17	External brake control
18	Control from I/O terminals
19	Drive temperature limit supervision
20	Unrequested rotation direction

August 2006

Table 8-4: RO2 Function Settings, continued

Setting		Signal Content
21	External brake control inverted	External brake ON/OFF control (see External Brake Off Delay and External Brake On Delay); Output active when brake control is OFF
22	Thermistor fault or warning	The thermistor input of option board indicates overtemperature. Fault or warning depending on Thermistor Fault Response
23	Pass Through Communications	Output can be "forced" on via Fieldbus
24	Fire Mode	Fire Mode is active
25	Auto Control	In Auto Control mode
26	Hand Control	In Hand Control mode
27	Start Delay Relay	Starts delay relay
28	Run Bypass or Drive	Running in Bypass or Drive

P1.3.9
Relay Output 3
(RO3) Content

Range: 1 – 28

Default: 28 (Run Bypass or Drive)

RO3 CONTENT

Relay output RO3 is activated when the selected setting is true. See **Table 8-5** for setting information.

Table 8-5: RO3 Content Settings

Setting		Signal Content
0	Not used	—
1	Ready	The HVX9000 is ready to operate
2	Run	The HVX9000 is operating (motor is running)
3	Fault	A fault trip has occurred
4	Fault inverted	A fault trip has not occurred
5	Drive overheat warning	The heat-sink temperature exceeds +70C
6	External fault or warning	Fault or warning depending on External Fault
7	Reference fault or warning	Fault or warning depending on 4 mA (Reference) Fault Response — if analogue reference is 4 – 20 mA and signal is <4 mA
8	Warning	Always if a warning exists
9	Reversed	The reverse command has been selected
10	Bypass Run	Bypass has been selected
11	At speed	The output frequency has reached the set reference
12	Motor regulator activated	Overvoltage or overcurrent regulator was activated
13	Output frequency limit 1 supervision	The output frequency is outside the set supervision low limit/high limit (see Frequency Supervision Function 1 and Speed Supervision Value 1)
14	Output frequency limit 2 supervision	The output frequency is outside the set supervision low limit/high limit (see Frequency Supervision Function 2 and Speed Supervision Value 2)

Table 8-4: RO3 Content Settings, continued

Setting		Signal Content
15	Torque limit supervision	The motor torque is beyond the set supervision low limit/high limit (see Torque Supervision Function and Torque Supervision Value)
16	Reference limit supervision	Active reference is beyond the set supervision low limit/high limit (see Reference Supervision Limit and Reference Supervision Value)
17	External brake control	External brake ON/OFF control with programmable delay (see External Brake Off Delay and External Brake On Delay)
18	Control from I/O terminals	External control mode
19	Drive temperature limit supervision	Frequency converter heatsink temperature goes beyond the set supervision limits (see Temperature Function Supervision and Temperature Supervision Value)
20	Unrequested rotation direction	Motor rotation direction is different from the requested one.
21	External brake control inverted	External brake ON/OFF control (see External Brake Off Delay and External Brake On Delay); Output active when brake control is OFF
22	Thermistor fault or warning	The thermistor input of option board indicates overtemperature. Fault or warning depending on Thermistor Fault Response
23	Fault Reset	This output is activated when faults are reset
24	Fire Mode	Fire Mode is active
25	Auto Control	In Auto Control mode
26	Hand Control	In Hand Control mode
27	Start Delay Relay	Starts delay relay
28	Run Bypass or Drive	Running in Bypass or Drive

P1.3.10
Relay Output 4
(RO4) Content

Range: 1 – 28

Default: 10 (Bypass Run)

RO4 CONTENT

Relay output RO4 is activated when the selected setting is true. See **Table 8-5** for setting information which is the same as RO3.

P1.3.11
Relay Output 5
(RO5) Content

Range: 1 – 28

Default: 23 (Fault Reset)

RO5 CONTENT

Relay output RO5 is activated when the selected setting is true. See **Table 8-5** for setting information which is the same as RO3.

P1.3.12
Relay Output 6
(RO6) Content

Range: 1 – 28

Default: 0 (Not Used)

RO6 CONTENT

Relay output RO6 is activated when the selected setting is true. See **Table 8-5** for setting information which is the same as RO3. This parameter is only available if optional relay board is added to slot D.

August 2006

P1.3.13 Relay Output 7 (RO7) Content	Range: 1 – 28 <i>RO7 CONTENT</i> Relay output RO7 is activated when the selected setting is true. See Table 8-5 for setting information which is the same as RO3. This parameter is only available if optional relay board is added to slot D.	Default: 0 (Not Used)
P1.3.14 Relay Output 8 (RO8) Content	Range: 1 – 28 <i>RO8 CONTENT</i> Relay output RO8 is activated when the selected setting is true. See Table 8-5 for setting information which is the same as RO3. This parameter is only available if optional relay board is added to slot D.	Default: 0 (Not Used)

Note: P1.3.12 – P1.3.14 will be invisible unless there is an OPTB5 option board installed in slot D on drive.

P1.3.15 Frequency Supervision Function 1	Range: 0 – 2 <i>FREQ SUPV FUNCTION 1</i> If this parameter is set for 1 or 2, and the output frequency goes under/over Frequency Supervision Function 1 , this function generates a warning message via digital output DO1 or via one of the relay outputs RO1 or RO2, dependent upon their settings. 0 No supervision 1 Low limit supervision 2 High limit supervision	Default: 0 (No Supervision)
P1.3.16 Speed Supervision Value 1	Range: 0.0 – 200.0 Units: Percent <i>SPEEDSUPRVALUE1</i> Selects the frequency value supervised by Frequency Supervision Function 1 parameter.	Default: 0.0
P1.3.17 Frequency Supervision Function 2	Range: 0 – 2 <i>FREQ SUPV FUNCTION 2</i> If this parameter is set for 1 or 2, and the output frequency goes under/over Frequency Supervision Function 2 , this function generates a warning message via digital output DO1 or via one of the relay outputs RO1 or RO2, dependent upon their settings. 0 No supervision 1 Low limit supervision 2 High limit supervision	Default: 0 (No Supervision)

P1.3.18 Range: 0.0 – 200.0 Default: 0.0
Speed Supervision Value 2 Units: Percent
SPEEDSUPRVL 2
 Selects the frequency value supervised by **Frequency Supervision Function 2** parameter.

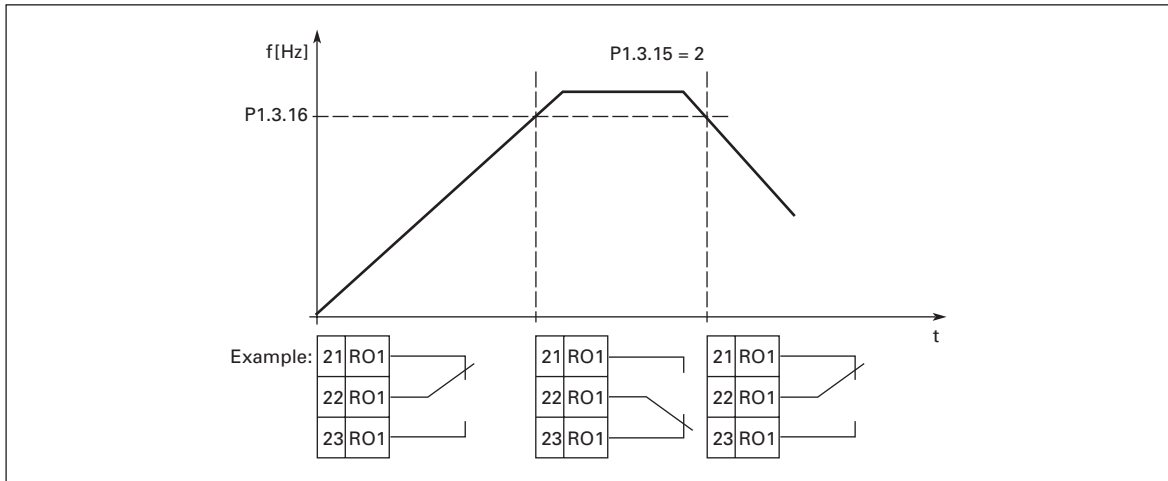


Figure 8-8: Output Frequency Supervision

P1.3.19 Range: 0 – 2 Default: 0 (No Supervision)
Torque Supervision Function *TORQUE SUPV FUNC*
 If this parameter is set for 1 or 2 and the calculated torque value goes under/over the set limit (**Torque Supervision Value**) this function generates a warning message via digital output DO1 or via one of the relay outputs depending on the settings of **Digital Output 1 (DO1) Function**, **Relay Output 1 (RO1) Function** or **Relay Output 2 (RO2) Function**.

- 0 No supervision
- 1 Low limit supervision
- 2 High limit supervision

P1.3.20 Range: 0.0 – 300.0 Default: 100.0%
Torque Supervision Value Units: Percent
TORQUE SUPV VAL
 This parameter sets the torque value to be supervised by **Torque Supervision Function** parameter.

P1.3.21 Range: 0 – 2 Default: 0 (No Supervision)
Reference Supervision Limit *REF SUPERV LIM*
 If this parameter is set for 1 or 2 and the reference value goes under/over the set limit (**Reference Supervision Value**) this function generates a warning message via digital output DO1 or via one of the relay outputs depending on the settings of **Digital Output 1 (DO1) Function**, **Relay Output 1 (RO1) Function** or **Relay Output 2 (RO2) Function**. The current active reference is supervised. It may come from place A or B depending on the DIN6 input, from the keypad if keypad is the active control or from the communication bus if the communication bus is the active control.

- 0 No supervision
- 1 Low limit supervision
- 2 High limit supervision

August 2006

P1.3.22 Reference Supervision Value Range: 0.0 – 100.0 Units: Percent Default: 0.0
REF SUPERV VAL
 This parameter sets the reference value to be supervised by **Reference Supervision Limit** parameter.

P1.3.23 External Brake Off Delay Range: 0.0 – 100.0 Units: Seconds Default: 0.5
EXT BRAKE OFFDEL
 The activation of the external brake can be linked to the Start and Stop control signals with the **External Brake Off Delay** and **External Brake On Delay** parameters, which define the time for which the external brake remains in its previous position before reacting to the START/STOP signal. See **Figure 8-9**. To program the brake control signal, you can use either the digital output DO1 or the relay outputs RO1 and RO2, see **Digital Output 1 (DO1) Function, Relay Output 1 (RO1) Function** or **Relay Output 2 (RO2) Function**.

P1.3.24 External Brake On Delay Range: 0.0 – 100.0 Units: Seconds Default: 0.5
EXT BRAKE ONDEL
 The activation of the external brake can be linked to the Start and Stop control signals with the **External Brake Off Delay** and **External Brake On Delay** parameters, which define the time for which the external brake remains in its previous position before reacting to the START/STOP signal. See **Figure 8-9**. To program the brake control signal, you can use either the digital output DO1 or the relay outputs RO1 and RO2, see **Digital Output 1 (DO1) Function, Relay Output 1 (RO1) Function** or **Relay Output 2 (RO2) Function**.

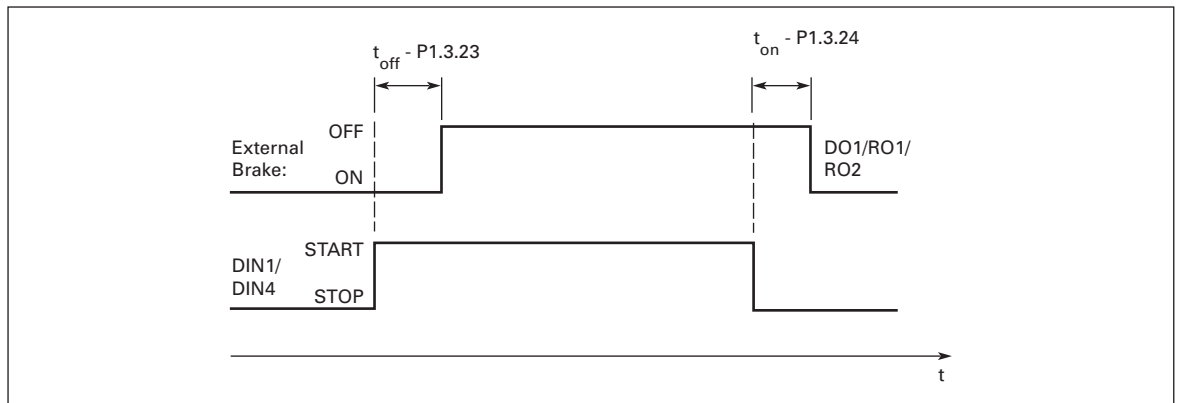


Figure 8-9: External Brake Control

P1.3.25 Temperature Function Supervision Range: 0 – 2 Default: 0 (No Supervision)
TEMP FUNC SUPV
 If this parameter is set for 1 or 2 and the HVX9000 temperature goes under/over the set limit (**Temperature Supervision Value**), this function generates a warning message via digital output DO1 or the relay outputs depending on the settings of **Digital Output 1 (DO1) Function, Relay Output 1 (RO1) Function** or **Relay Output 2 (RO2) Function**.

- 0 No temperature limit supervision
- 1 Low limit supervision
- 2 High limit supervision

P1.3.26 Temperature Supervision Value	Range: -10 – 75°C Units: degrees Celsius <i>TEMP SUPV VALUE</i>	Default: 40°C
	This parameter sets the temperature that is supervised by Temperature Function Supervision parameter.	
P1.3.27 Analog Output 2 (A2_{out}) Signal	Range: AnOUT:0.1 – AnOUT:E.10 <i>A2OUT SIGNAL</i>	Default: AnOUT:0.1
	Connect the AO2 signal to the analog output of choice with this parameter.	
P1.3.28 Analog Output 2 (A2_{out}) Content	Range: 0 – 13 <i>A2OUT FUNCTION</i>	Default: 4 (Output Current)
	This parameter selects the desired function for the analog output 2 signal.	
	<ul style="list-style-type: none"> 0 Not used 1 Output frequency (0 – f_{max}) 2 Frequency reference (0 – f_{max}) 3 Motor speed (0 – Motor nominal speed) 4 Output current (0 – I_{nMotor}) 5 Motor torque (0 – T_{nMotor}) 6 Motor power (0 – P_{nMotor}) 7 Motor voltage (0 – V_{nMotor}) 8 DC-link voltage (0 – 1000V) 9 PID controller reference value 10 PID controller actual value 1 11 PID controller actual value 2 12 PID controller error value 13 PID controller output 	
P1.3.29 Analog Output 2 (A2_{out}) Filter Time	Range: 0.00 – 10.00 Units: Seconds <i>A2OUT FILTER TIME</i>	Default: 1.00
	When this parameter is given a value greater than 0, it activates the function that filters out disturbances from the analog output 2 signal. A long filtering time makes the output signal change slower. If you set a value of 0, no filtering takes place. See Figure 8-5 .	
P1.3.30 Analog Output 2 (A2_{out}) Inversion	Range: 0 – 1 <i>A2OUT INVERT</i>	Default: 0 (No Inversion)
	Setting this parameter to 1, inverts the analog output 2 signal so that the maximum output occurs at the minimum value of the parameter selected in Analog Output 2 (A2_{out}) Content and the minimum output occurs at the maximum value of the parameter selected in Analog Output 2 (A2_{out}) Content . See Figure 8-6 .	
	<ul style="list-style-type: none"> 0 Not inverted 1 Inverted 	
P1.3.31 Analog Output 2 (A2_{out}) Minimum	Range: 0 – 1 <i>A2OUT MINIMUM</i>	Default: 1 (4 mA)
	Sets the signal minimum to either 0 mA or 4 mA.	
	<ul style="list-style-type: none"> 0 0 mA minimum 1 4 mA minimum 	

August 2006

**P1.3.32
Analog Output 2
(A2_{out}) Scale**

Range: 0 – 1000
Units: Percent
A2_{OUT} SCALE

Default: 100%

See **Figures 8-6** and **8-7** and **Table 8-6** for scaling information and examples.

Table 8-6: Scaling Factor for the Analog Output

Signal	Maximum Value of the Signal
Output Frequency	100 x f _{max}
Motor speed	100% x Motor nominal speed
Output current	100% x I _{nMotor}
Motor torque	100% x T _{nMotor}
Motor power	100% x P _{nMotor}
Motor voltage	100% x V _{nMotor}
DC-link voltage	1000 V
PI-ref. value	100% x ref. value max.
PI act. value 1	100% x actual value max.
PI act. value 2	100% x actual value max.
PI error value	100% x error value max.
PI output	100% x output max
See Analog Output (A_{out}) Scale .	

**P1.3.33
Analog Output 3
(A3_{out}) Signal**

Range: AnOUT:0.1 – AnOUT:E.10
A3_{OUT} SIGNAL

Default: AnOUT:0.1

Connect the AO3 signal to the analog output of choice with this parameter.

**P1.3.34
Analog Output 3
(A3_{out}) Content**

Range: 0 – 13
A3_{OUT} FUNCTION

Default: 0 (Not used)

This parameter selects the desired function for the analog output 3 signal.

- 0 Not used
- 1 Output frequency (0 – f_{max})
- 2 Frequency reference (0 – f_{max})
- 3 Motor speed (0 – Motor nominal speed)
- 4 Output current (0 – I_{nMotor})
- 5 Motor torque (0 – T_{nMotor})
- 6 Motor power (0 – P_{nMotor})
- 7 Motor voltage (0 – V_{nMotor})
- 8 DC-link voltage (0 – 1000V)
- 9 PID controller reference value
- 10 PID controller actual value 1
- 11 PID controller actual value 2
- 12 PID controller error value
- 13 PID controller output

**P1.3.35
Analog Output 3
(A3_{out}) Filter Time**

Range: 0.00 – 10.00
Units: Seconds
A3_{OUT} FILTER TIME

Default: 1.00

When this parameter is given a value greater than 0, it activates the function that filters out disturbances from the analog output 3 signal. A long filtering time makes the output signal change slower. If you set a value of 0, no filtering takes place. See **Figure 8-5**.

P1.3.36 Range: 0 – 1 Default: 0 (No Inversion)
Analog Output 3
(A3_{out}) Inversion
A3_{OUT} INVERT
 Setting this parameter to 1, inverts the analog output 3 signal so that the maximum output occurs at the minimum value of the parameter selected in **Analog Output 3 (A3_{out}) Content** and the minimum output occurs at the maximum value of the parameter selected in **Analog Output 3 (A3_{out}) Content**. See **Figure 8-6**.
 0 Not inverted
 1 Inverted

P1.3.37 Range: 0 – 1 Default: 0 (0 mA)
Analog Output 3
(A3_{out}) Minimum
A3_{OUT} MINIMUM
 Sets the signal minimum to either 0 mA or 4 mA.
 0 0 mA minimum
 1 4 mA minimum

P1.3.38 Range: 0 – 1000 Default: 100%
Analog Output 3
(A3_{out}) Scale
A3_{OUT} SCALE
 See **Figures 8-6** and **8-7** and **Table 8-7** for scaling information and examples.

Table 8-7: Scaling Factor for the Analog Output

Signal	Maximum Value of the Signal
Output Frequency	100 × f _{max}
Motor speed	100% × Motor nominal speed
Output current	100% × I _{nMotor}
Motor torque	100% × T _{nMotor}
Motor power	100% × P _{nMotor}
Motor voltage	100% × V _{nmotor}
DC-link voltage	1000 V
PI-ref. value	100% × ref. value max.
PI act. value 1	100% × actual value max.
PI act. value 2	100% × actual value max.
PI error value	100% × error value max.
PI output	100% × output max
See Analog Output (A_{out}) Scale .	

Parameter Group G1.4: Drive Control

P1.4.1 Range: 0.0 – 10.0 Default: 0.0
Ramp 1 Shape
 Units: Seconds
RAMP 1 SHAPE
 The start and end of the acceleration and deceleration ramps can be smoothed with this parameter. Setting the value to 0 gives a linear ramp shape, which causes acceleration and deceleration to act immediately to the changes in the reference signal. Setting a value of 0.1 to 10 seconds produces an S-shaped acceleration/deceleration curve. The ramp times are determined by **Acceleration Time 1** and **Deceleration Time 1**. See **Figure 8-10**.
 0 Linear
 >0 S-curve acceleration/deceleration ratio

August 2006

P1.4.2 Ramp 2 Shape Range: 0.0 – 10.0 Units: Seconds Default: 0.0

RAMP 2 SHAPE

The start and end of acceleration and deceleration ramps can be smoothed with these parameters. Setting value 0 gives a linear ramp shape, which causes acceleration and deceleration to act immediately to the changes in the reference signal. Setting value 0.1 to 10 seconds for this parameter produces an S-shaped acceleration/deceleration. The acceleration time is determined with **Acceleration Time 1/Deceleration Time 1 (Acceleration Time 2/Acceleration Time 2)**. See **Figure 8-10**.

- 0 Linear
- >0 S-curve acceleration/deceleration ratio

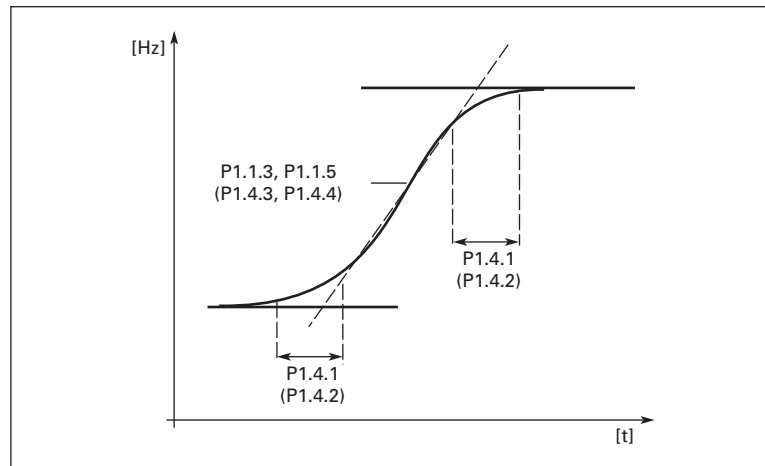


Figure 8-10: Acceleration/Deceleration Curve (S-Shaped)

P1.4.3 Acceleration Time 2 Range: 0.1 – 3000.0 Units: Seconds Default: 10.0

ACCEL TIME 2

Time required for output frequency to change from the minimum frequency to the maximum frequency set by **Minimum Frequency** and **Maximum Frequency**. With the use of **Acceleration Time 1** and **Acceleration Time 2**, two different acceleration times can be used for an application. The active set can be selected with one of the programmable digital inputs DIN2, DIN3, DIN4, DIN5 or DIN6 (**DIN2 Function**, **DIN3 Function**, **DIN4 Function**, **DIN5 Function**, and **DIN6 Function**).

Note: If the PID-controller is used, the acceleration/deceleration time set 2 is automatically selected as the active set.

P1.4.4 Deceleration Time 2 Range: 0.1 – 3000.0 Units: Seconds Default: 10.0

DECEL TIME 2

Time required for output frequency to change from the maximum frequency to the minimum frequency set by **Minimum Frequency** and **Maximum Frequency**. With the use of **Deceleration Time 1** and **Deceleration Time 2**, two different deceleration times can be used for an application. The active set can be selected with one of the programmable digital inputs DIN2, DIN3, DIN4, DIN5 or DIN6 (**DIN2 Function**, **DIN3 Function**, **DIN4 Function**, **DIN5 Function**, and **DIN6 Function**).

Note: If the PID-controller is used, the acceleration/deceleration time set 2 is automatically selected as the active set.

P1.4.5 Brake Chopper	Range: 0 – 3 <i>BRAKE CHOPPER</i> When the HVX9000 is decelerating the motor, the energy stored in the inertia of the motor and the load are fed into an external brake resistor. This enables the HVX9000 to decelerate the load with a torque equal to that of acceleration (provided that the correct brake resistor has been selected). See separate brake resistor installation manual. 0 Brake chopper not used 1 Brake chopper in use 2 External brake chopper 3 In Ready state	Default: 0 (Not Used)
P1.4.6 Start Mode	Range: 0 – 1 <i>START MODE</i> 0 Ramp: The HVX9000 starts from 0 Hz and accelerates to the set reference frequency within the set acceleration time. (Load inertia or starting friction may cause prolonged acceleration times.) 1 Flying start: The HVX9000 is able to start into a spinning motor by applying a small torque to motor and searching for the frequency corresponding to the speed the motor is spinning at. The searching starts from the maximum frequency towards the spinning equivalent frequency until the correct value is detected. Thereafter, the output frequency will be increased/ decreased to the set reference value following the set acceleration/ deceleration parameters. Use this mode if the motor may be spinning when the start command is given. With the flying start, it is possible to ride through short utility voltage interruptions.	Default: 0 (Ramping)
P1.4.7 Stop Mode	Range: 0 – 3 <i>STOP MODE</i> 0 Coasting: The motor coasts to a halt without control from the HVX9000 after the Stop command. 1 Ramp: After the Stop command, the speed of the motor is reduced according to the set deceleration parameters. If the regenerated energy is high it may be necessary to use an external braking resistor for faster deceleration. 2 Normal = Ramp/Run Enable: coasting After the Stop command, the speed of the motor is decelerated according to the set deceleration parameters. However, when the Run Enable signal is de-energized using one of the digital inputs (e.g. DIN3), the motor coasts to a halt without control from the drive. 3 Normal stop = Coasting/Run Enable: ramping The motor coasts to a halt without any control from the drive. However, when Run Enable signal is de-energized using one of the digital inputs (e.g. DIN3), the speed of the motor is decelerated according to the set deceleration parameters. If the regenerated energy is high it may be necessary to use an external braking resistor for faster deceleration.	Default: 1 (Ramp)
P1.4.8 DC Brake Current	Range: $0.15 \times I_{nHVX} - 1.5 \times I_{nHVX}$ Units: Amperes <i>DC-BRAKE CURRENT</i> This parameter's range and default value are determined by the HVX9000 nameplate current rating. It defines the current injected into the motor during DC-braking.	Default: $0.5 \times I_{nHVX}$

August 2006

P1.4.9 DC Brake Time at Stop

Range: 0.000 – 60.000

Default: 0.000

Units: Seconds

STOP DC-BRAKETIME

Determines if braking is ON or OFF and the on time of the DC-brake when the motor is stopping. The function of the DC-brake depends on the **Stop Mode**.

0 DC-brake is not used

>0 DC-brake is in use and its function depends on **Stop Mode**.

The DC-braking time is determined with this parameter.

Stop Mode = 0 (Coasting):

After the stop command, the motor coasts to a stop without control from the drive.

With the DC injection, the motor can be electrically stopped in the shortest possible time, without using an optional external braking resistor.

The braking time is scaled by the frequency when the DC-braking starts. If the frequency is greater than the nominal frequency of the motor, this set value determines the braking time. When the frequency is $\leq 10\%$ of the nominal, the braking time is 10% of this set value. See **Figure 8-11**.

Stop Mode = 1 (Ramp):

After the Stop command, the speed of the motor is reduced according to the set deceleration parameters, as fast as possible, to the speed defined with **DC Brake Frequency In Ramp Stop**, where the DC-braking starts. The braking time is defined with this parameter. If high inertia exists, it is recommended to use an external braking resistor for faster deceleration. See **Figure 8-12**.

Stop Mode = 2 (Normal = Ramping/Run Enable = Coasting):

Follows the Coasting or Stopping action described above, dependent upon the status of the Run Enable input.

Stop Mode = 3 (Normal = Coasting/Run Enable = Ramping):

Follows the Coasting or Stopping action described above, dependent upon the status of the Run Enable input.

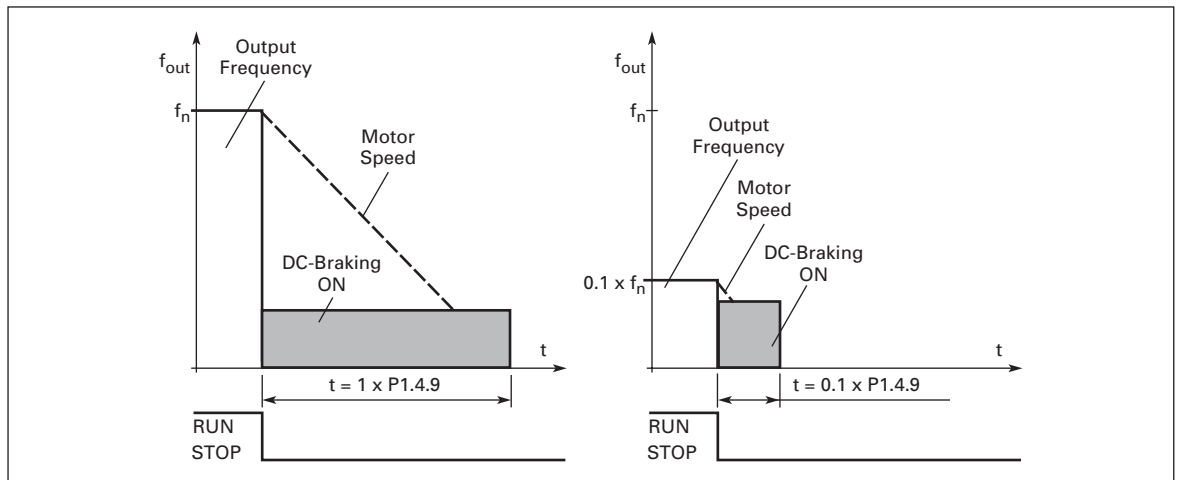


Figure 8-11: DC Braking Time When Stop Mode = Coasting

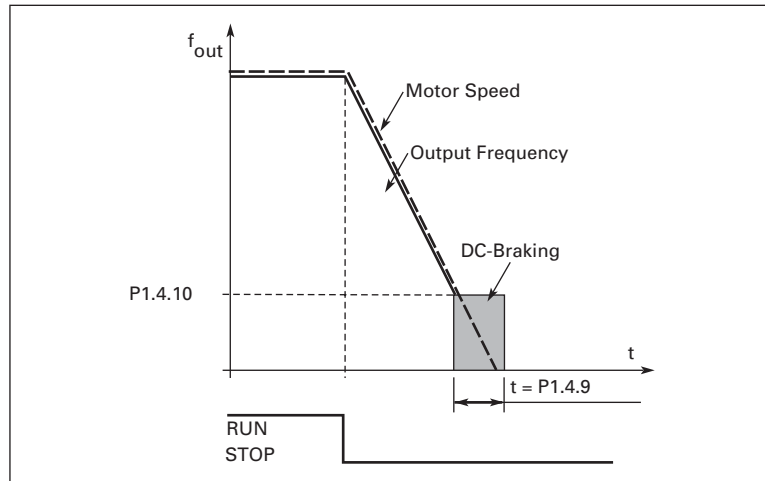


Figure 8-12: DC Braking Time When Stop Mode = Ramp

P1.4.10 DC Brake Frequency In Ramp Stop Range: 0.10 – 10.00 Default: 1.50
 Units: Hertz
STOP DC-BRAKEFR
 The output frequency at which the DC-braking is applied. See **Figure 8-13**.

P1.4.11 Start DC Brake Time Range: 0.000 – 60.000 Default: 0.000
 Units: Seconds
START DC-BRAKETM
 DC-brake is activated when the start command is given. This parameter defines the time before the brake is de-energized. After the brake is de-energized, the output frequency increases according to the set start function by **Start Mode** parameter. See **Figure 8-13**.

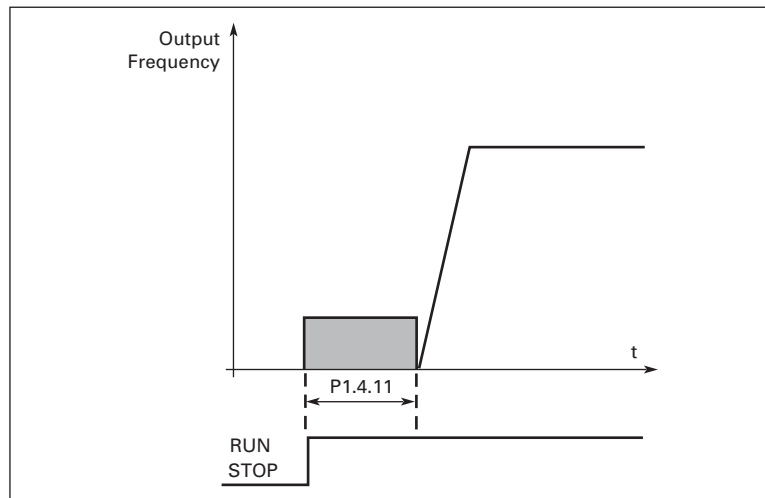


Figure 8-13: DC Braking Time at Start

P1.4.12 Flux Brake Range: 0 – 1 Default: 0 (Off)
FLUX BRAKE
 Braking torque is created by controlling the motor flux.
 0 Flux braking OFF
 1 Flux braking ON

August 2006

P1.4.13 Flux Brake Current Range: $0.1 \times I_{nMotor}$ – **Current Limit** Default: $0.5 \times I_{nMotor}$
 Units: Amperes
FLUXBRAKECURRENT
 Defines the flux braking current value. It can be set between $0.1 \times I_{nMot}$ **Motor Power Factor** and the **Current Limit** setting.

Parameter Group G1.5: Skip Frequencies

P1.5.1 Skip Frequency 1 Low Limit Range: 0.00 – **Skip Frequency 1 High Limit** Default: 0.00
 Units: Hertz
SKIPF 1 LOW LIM
 In some systems it may be necessary to avoid certain frequencies because of mechanical resonances. Using **Skip Frequency 1 Low Limit** to **Skip Frequency 3 High Limit** parameters, it is possible to set limits for the “skip frequency” region. See **Figure 8-14**.

P1.5.2 Skip Frequency 1 High Limit Range: **Skip Frequency 1 Low Limit** – Default: 0.00
 Max Frequency
 Units: Hertz
SKIPF 1 HIGH LIM
 In some systems it may be necessary to avoid certain frequencies because of mechanical resonances. Using **Skip Frequency 1 Low Limit** to **Skip Frequency 3 High Limit** parameters, it is possible to set limits for the “skip frequency” region. See **Figure 8-14**.
 0 No skip frequency range 1

P1.5.3 Skip Frequency 2 Low Limit Range: 0.00 – **Skip Frequency 2 High Limit** Default: 0.00
 Units: Hertz
SKIPF 2 LOW LIM
 In some systems it may be necessary to avoid certain frequencies because of mechanical resonances. Using **Skip Frequency 1 Low Limit** to **Skip Frequency 3 High Limit** parameters, it is possible to set limits for the “skip frequency” region. See **Figure 8-14**.

P1.5.4 Skip Frequency 2 High Limit Range: **Skip Frequency 2 Low Limit** – Default: 0.00
 Max Frequency
 Units: Hertz
SKIPF 2 HIGH LIM
 In some systems it may be necessary to avoid certain frequencies because of mechanical resonances. Using **Skip Frequency 1 Low Limit** to **Skip Frequency 3 High Limit** parameters, it is possible to set limits for the “skip frequency” region. See **Figure 8-14**.
 0 No skip frequency range 2

P1.5.5 Skip Frequency 3 Low Limit Range: 0 – **Skip Frequency 3 High Limit** Default: 0.00
 Units: Hertz
SKIPF 3 LOW LIM
 In some systems it may be necessary to avoid certain frequencies because of mechanical resonances. Using **Skip Frequency 1 Low Limit** to **Skip Frequency 3 High Limit** parameters, it is possible to set limits for the “skip frequency” region. See **Figure 8-14**.

P1.5.6
Skip Frequency 3
High Limit

Range: **Skip Frequency 3 Low Limit** – Default: 0.00
Max Frequency
Units: Hertz

SKIPF 3 HIGH LIM

In some systems it may be necessary to avoid certain frequencies because of mechanical resonances. Using **Skip Frequency 1 Low Limit** to **Skip Frequency 3 High Limit** parameters, it is possible to set limits for the “skip frequency” region. See **Figure 8-14**.

0 No skip frequency range 3

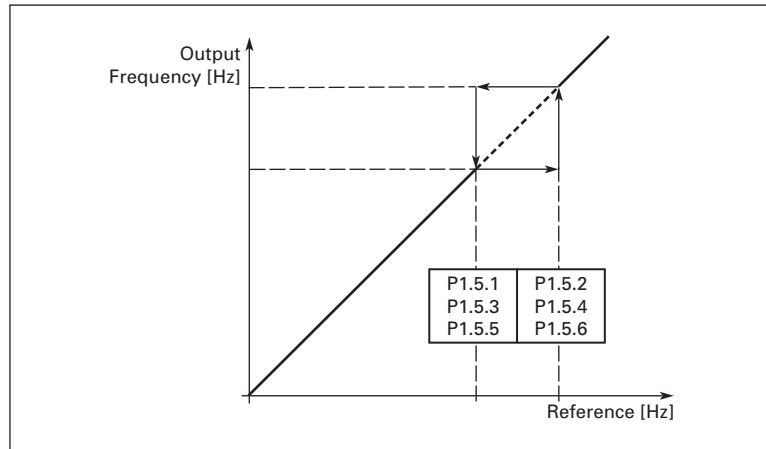


Figure 8-14: Skip Frequency Area Setting

P1.5.7
PH Acceleration/
Deceleration Ramp

Range: 0.1 – 10.0 Default: 1.0

PH ACC/DEC RAMP

Defines the acceleration/deceleration time when the output frequency is between the selected skip frequency range limits. The ramping speed (selected acceleration/deceleration time 1 or 2) is multiplied with this factor. E.g. value 0.1 makes the acceleration time 10 times shorter than outside the skip frequency range limits.

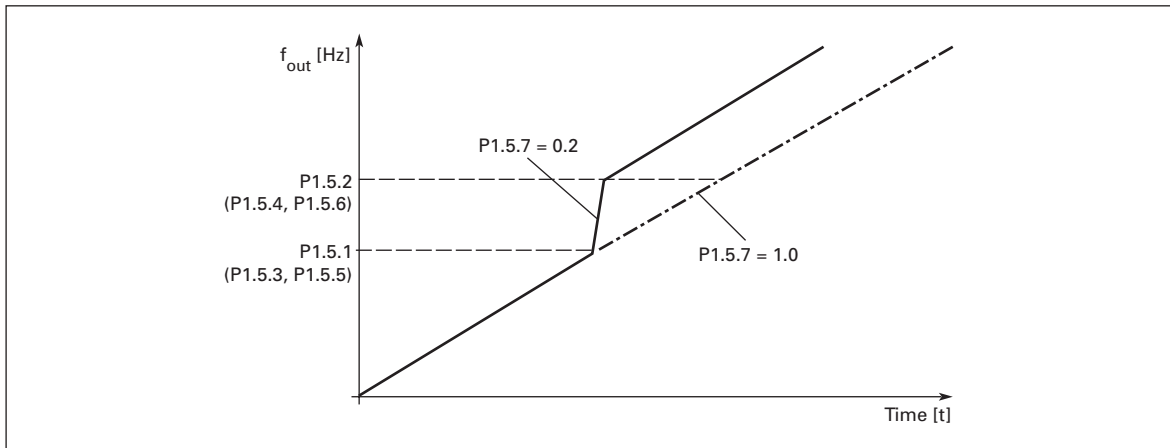


Figure 8-15: Ramp Speed Scaling Between Skip Frequencies

August 2006

Parameter Group G1.6: Motor Control

P1.6.1 Motor Control Mode	Range: 0 – 1 <i>MOTOR CTRL MODE</i>	Default: 0 (Frequency control)
	This parameter determines the mode the drive is using to control the motor. The reference may be from the I/O terminals, keypad or the communication bus.	
	0 Frequency control: The HVX9000 is controlling the output frequency (output frequency resolution = 0.01 Hz).	
	1 Speed control: The HVX9000 is controlling the motor speed compensating for the motor slip (accuracy $\pm 0.5\%$).	
P1.6.2 Voltage/Frequency Optimization	Range: 0 – 1 <i>V/Hz OPTIMIZATION</i>	Default: 0 (None)
	0 None	
	1 Automatic torque boost	
	This parameter determines if automatic torque boost is used. With automatic torque boost the voltage to the motor changes automatically which allows the motor produce sufficient torque to start and run at low frequencies. The voltage increase depends on the motor type and power. Automatic torque boost can be used in applications where the starting torque required due to high starting friction is large, e.g. in conveyors.	
	EXAMPLE: What is required to start the load from 0 Hz?	
	- First set the motor nominal values (Motor Nominal Current to Current Limit).	
	- Second choose the Motor Control Mode .	
	- Third choose the Voltage Control Mode.	
	Option 1: Activate the automatic torque boost (Voltage/Frequency Optimization value 1)	
	Option 2: Programmable V/f curve	
	To get torque you need to set the zero point voltage and midpoint voltage/frequency so the motor has enough current at low frequencies. First select the programmable V/F-curve (Voltage/Frequency Ratio Selection value 2). Increase Zero Frequency Voltage to get enough current at zero speed. Then set the V/f Mid-Point Voltage to $1.4142 \times \text{Zero Frequency Voltage}$ and the V/f Mid-Point Frequency to a value of $\text{V/f Mid-Point Voltage} / 100\% \times \text{Motor Nominal Frequency}$.	
	Note: In high torque — low speed applications — it is likely that the motor will overheat.	
	If the motor has to run a prolonged time under these conditions, special attention must be paid to cooling the motor. Use external cooling for the motor if the temperature tends to rise too high.	

P1.6.3
Voltage/Frequency
Ratio Selection

Range: 0 – 3

Default: 0 (Linear)

V/Hz RATIO SELECT

0 Linear: The voltage of the motor changes linearly with the frequency in the constant flux area from 0 Hz to the field weakening point where the nominal voltage is supplied to the motor. Linear V/f ratio should be used in constant torque applications. See **Figure 8-16**.

This default setting should be used if there is no special need for another setting.

- 1 Squared: The voltage of the motor changes following a squared curve waveform with the frequency in the area from 0 Hz to the field weakening point where the nominal voltage is supplied to the motor. The motor runs under-magnetized below the field weakening point and produces less torque and electromechanical noise. Squared V/f ratio can be used in applications where torque demand of the load is proportional to the square of the speed, e.g in centrifugal fans and pumps.
- 2 Programmable V/f curve: The V/f curve can be programmed with three different points. Programmable V/f curve can be used if the other settings do not satisfy the needs of the application. See **Figure 8-17**.
- 3 Linear with flux optimization: The HVX9000 searches for the minimum motor current in order to save energy, and to lower the audible motor noise. This can be used in applications with stable, low peak level motor load, such as fans, pumps, etc.

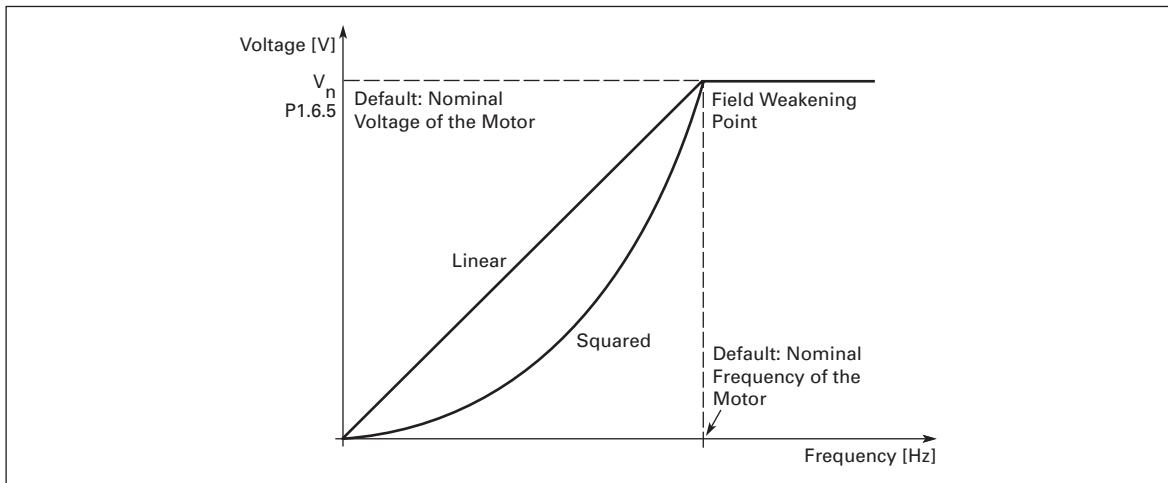


Figure 8-16: Linear and Squared Change of Motor Voltage

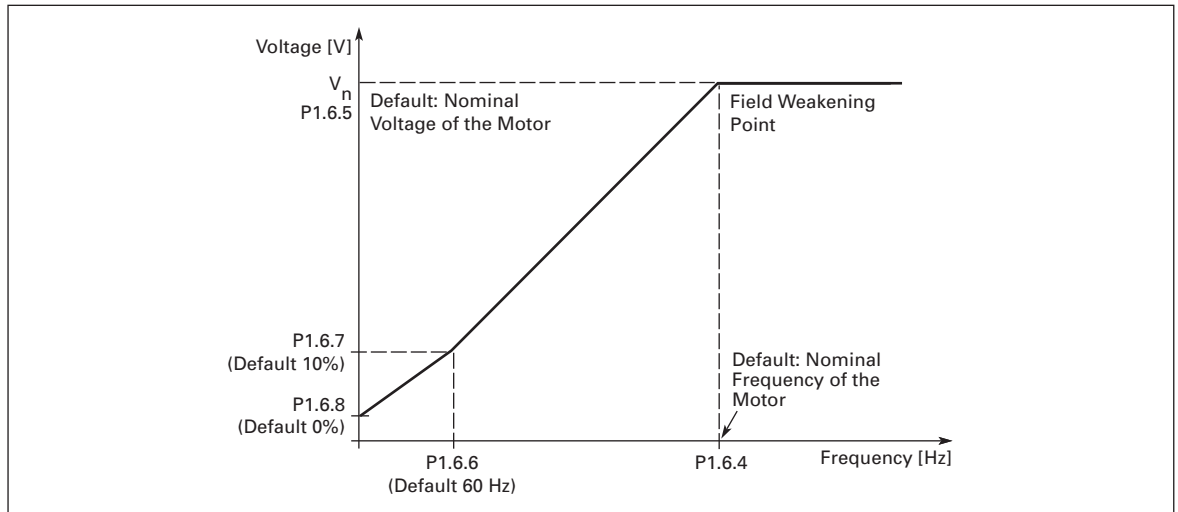


Figure 8-17: Programmable V/f Ratio

<p>P1.6.4 Field Weakening Point</p>	<p>Range: 30.00 – 320.00 Units: Hertz <i>FIELD WEAKNINGPNT</i></p>	<p>Default: 60.00</p>
<p>The field weakening point is the output frequency at which the output voltage reaches the set maximum value. This usually corresponds to the motor nameplate frequency.</p>		
<p>P1.6.5 Voltage at Field Weakening Point</p>	<p>Range: 10.00 – 200.00 Units: Percent <i>VOLTAGE AT FWP</i></p>	<p>Default: 100.00</p>
<p>Above the frequency at the field weakening point, the output voltage remains at the set maximum value. Below the frequency at the field weakening point, the output voltage depends on the setting of the V/f curve parameters. See Voltage/Frequency Optimization, Voltage/Frequency Ratio Selection, V/f Mid-Point Frequency and V/f Mid-Point Voltage and Figure 8-17.</p> <p>When the Motor Nominal Voltage and Motor Nominal Frequency are set, the Field Weakening Point and Voltage at Field Weakening Point are automatically given the corresponding values. If you need different values for the field weakening point and the maximum output voltage, change these parameters after setting the Motor Nominal Voltage and Motor Nominal Frequency.</p>		
<p>P1.6.6 V/f Mid-Point Frequency</p>	<p>Range: 0.00 – Field Weakening Point Units: Hertz <i>V/Hz MID FREQ</i></p>	<p>Default: 60.00</p>
<p>If the programmable V/f curve has been selected with Voltage/Frequency Ratio Selection this parameter defines the middle point frequency of the curve. See Figure 8-17.</p>		
<p>P1.6.7 V/f Mid-Point Voltage</p>	<p>Range: 0.00 – 100.00 Units: Percent <i>V/Hz MID VOLTG</i></p>	<p>Default: 100.00</p>
<p>If the programmable V/f curve has been selected with the Voltage/Frequency Ratio Selection this parameter defines the middle point voltage of the curve. See Figure 8-17.</p>		

P1.6.8 Zero Frequency Voltage	Range: 0.00 – 40.00 Units: Percent <i>ZERO FREQ VOLTG</i> If the programmable V/f curve has been selected with the Voltage/Frequency Ratio Selection this parameter defines the zero frequency voltage of the curve. See Figure 8-17 .	Default: 1.50
P1.6.9 Switching Frequency	Range: 1.0 – 16.0 Units: kiloHertz <i>SWITCHING FREQ</i> Motor noise can be minimized using a high switching frequency. Increasing the switching frequency reduces the capacity of the HVX9000.	Default: Based on drive Amp size
P1.6.10 Overvoltage Controller	Range: 0 – 1 <i>OVERVOLT CONTR</i> 0 Overvoltage control disabled 1 Overvoltage control enabled With the overvoltage control switched on, if the utility supply voltage rises, the output frequency will increase to maintain a constant motor V/f relation. This may be useful, for example, if the utility supply voltage varies more than +10% and the motor cannot tolerate this overvoltage. In some applications the motor is required to operate at the desired set speed, regardless of supply line voltage variations. In this situation, the overvoltage control is switched off, the frequency will not increase as the utility supply voltage increases. This could lead to overexciting the motor, resulting in a large increase in motor current during overvoltage conditions. Note: Overvoltage trips may occur when the control is switched out of operation.	Default: 1 (Enabled)
P1.6.11 Undervoltage Controller	Range: 0 – 1 <i>UNDERVOLT CONTR</i> 0 Undervoltage Controller disabled 1 Undervoltage Controller enabled With the undervoltage control switched on, if the utility supply voltage declines, the output frequency will decrease to maintain a constant motor V/f relation. This may be useful, for example, if the utility supply voltage varies more than -15% and the motor cannot tolerate this undervoltage. In some applications the motor is required to operate at the desired set speed, regardless of supply line voltage variations. In this situation, the undervoltage control is switched off, the frequency will not decrease as the utility supply voltage decreases. This could lead to under exciting the motor, resulting in a large increase in motor current during undervoltage conditions. Note: Undervoltage trips may occur when controllers are switched out of operation.	Default: 1 (Enabled)

August 2006

Parameter Group G1.7: Protections

P1.7.1 4 mA (Reference) Fault Response	Range: 0 – 5 <i>4MA FAULT RESP</i> A warning or a fault action and message is generated if the reference signal (P1.2.9, P1.2.14 or P1.2.25) is set to "1" (4 – 20 mA) and the signal falls below 3.5 mA for 5 seconds or below 0.5 mA for 0.5 seconds. The information can also be programmed into digital output DO1 or relay outputs RO1, RO2 or RO3. 0 No response 1 Warning 2 Warning, frequency applied 10s earlier is set as reference 3 Warning, the 4 mA Fault Frequency is set as reference 4 Fault, stop mode after fault according to Stop Mode 5 Fault, stop mode after fault always by coasting	Default: 0 (No Response)
P1.7.2 4 mA Fault Frequency	Range: 0.00 – Maximum Frequency Units: Hertz <i>4MA FAULT FREQ</i> If the value of 4 mA (Reference) Fault Response (above) is set to 3 and the 4 mA fault occurs, then the frequency reference to the motor is the value of this parameter.	Default: 0.00
P1.7.3 AI1 VDC Fault Response	Range: 0 – 2 <i>AI1 VDC FAULT RESPONSE</i> 0 No action 1 Warning 2 Fault	Default: 0
P1.7.4 External Fault	Range: 0 – 3 <i>EXTERNAL FAULT</i> A warning or a fault action and message is generated from the external fault signal in the programmable digital inputs DIN2, DIN3, DIN4, DIN5 or DIN6. The information can also be programmed into digital output DO1 or programmed into digital output DO1, and RO2 or RO3. 0 No response 1 Warning 2 Fault, stop mode after fault according to Stop Mode 3 Fault, stop mode after fault always by coasting	Default: 2 (Fault)
P1.7.5 Input Phase Supervision	Range: 0 – 3 <i>INPUT PHASE SUPV</i> The input phase supervision monitors that the input phases of the HVX9000 have approximately equal currents. If not, the response programmed by this parameter occurs. 0 No response 1 Warning 2 Fault, stop mode after fault according to Stop Mode 3 Fault, stop mode after fault always by coasting	Default: 0 (No Response)
P1.7.6 Undervoltage Fault Response	Range: 0 – 1 <i>UVOLT FAULT RESP</i> 0 Fault Stored 1 No History Note: This protection can not be inactivated.	Default: 0 (Fault Stored)

P1.7.7 Output Phase Supervision	Range: 0 – 3 <i>OUTPUTPH SUPERV</i>	Default: 2 (Fault)
	Output phase supervision monitors that the motor phases have approximately equal currents. If not, the response programmed by this parameter occurs.	
	0 No response	
	1 Warning	
	2 Fault, stop mode after fault according to Stop Mode	
	3 Fault, stop mode after fault always by coasting	

P1.7.8 Earth (Ground) Fault	Range: 0 – 3 <i>GROUND FAULT</i>	Default: 2 (Fault)
	Ground fault protection monitors the sum of the motor phase currents which is zero if there is no ground fault. In addition, the overcurrent protection function is always operational to protect the HVX9000 from ground faults with high current levels.	
	0 No response	
	1 Warning	
	2 Fault, stop mode after fault according to Stop Mode	
	3 Fault, stop mode after fault always by coasting	

Motor Thermal Protection General Information

The motor thermal protection is to protect the motor from overheating. The HVX9000 is capable of supplying higher than nominal current to the motor. If the load requires this high current there is a risk that the motor will be thermally overloaded. In addition, at low frequencies the cooling effect of the integral motor fan is reduced as well as is the motor's torque capacity. If the motor is equipped with an external fan the load reduction at low speeds is small.

The motor thermal protection is based on a calculated model and it uses the output frequency and current of the HVX9000 to determine the load on the motor.

The motor thermal protection can be adjusted with parameters **Motor Ambient Temperature Factor**, **Motor Thermal Protection Zero Speed** and **MTP Time Constant**.

CAUTION

The calculated model does not protect the motor if the airflow to the motor is reduced by blocked air intake grill or if the external cooling device is off or fails.

P1.7.9 Motor Thermal Protection	Range: 0 – 3 <i>MOTOR THERM PROT</i>	Default: 2 (Fault)
	0 No response	
	1 Warning	
	2 Fault, stop mode after fault according to Stop Mode	
	3 Fault, stop mode after fault always by coasting	
	Deactivating the protection, by setting this parameter to 0, will reset the thermal stage of the motor to 0%.	
P1.7.10 Motor Ambient Temperature Factor	Range: -100.0 – 100.00 Units: Percent <i>MOTAMBTEMPFACTOR</i>	Default: 0.0
	When the motor ambient temperature must be taken into consideration, it is recommended to set a value for this parameter. The value of the factor can be set between -100.0% and 100.0% where -100.0% corresponds to °C and 100.0% to the maximum running temperature of the motor. Setting this parameter value to 0% assumes that the motor's ambient temperature is the same as the temperature of the HVX9000's heatsink at power-on.	

August 2006

**P1.7.11
Motor Thermal
Protection Zero
Speed**

Range: 0.0 – 150.0

Default: 40.0

Units: Percent

MTP FO CURRENT

This parameter sets the value of the current allowed at zero frequency. It can be set between 0 – 150.0% of the cooling available at the nominal motor nameplate frequency **Motor Nominal Frequency**. See **Figure 8-18**.

The default value is set assuming that there is no external fan cooling the motor. If an external fan is used this parameter can be set to 90% (or even higher).

Note: The value is set as a percentage of the motor nameplate data, **Motor Nominal Current**, not the drive's nominal output current. The motor's nominal current is the current that the motor can withstand in direct on-line use without being overheated.

If you change the **Motor Nominal Current**, this parameter is automatically restored to the default value.

Setting this parameter does not affect the maximum output current of the HVX9000, which is determined by **Current Limit** alone.

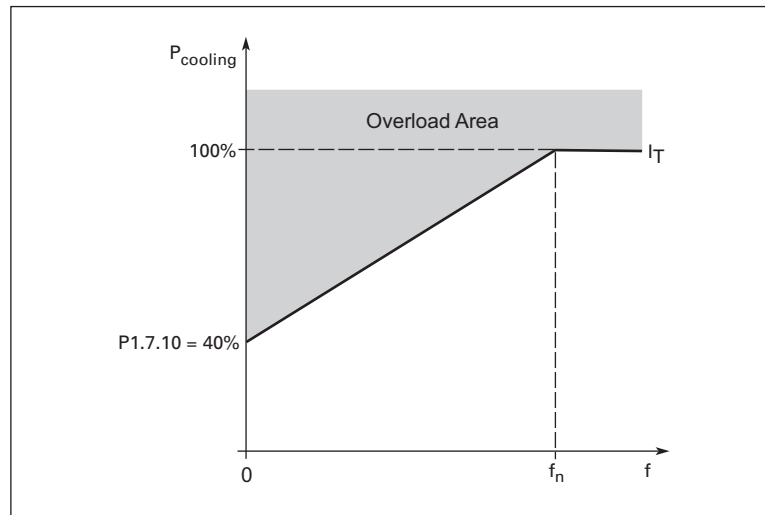


Figure 8-18: Motor Cooling Power

P1.7.12 MTP Time Constant Range: 1 – 200 Units: Minutes Default: 24 min.

MTP MOTOR T

This is the thermal time constant of the motor. The larger the motor, the longer the time constant. The time constant is the time within which the calculated thermal stage has reached 63% of its final value.

The motor thermal time is specific to the motor design and it varies between different motor manufacturers.

If the motor's t_6 -time (t_6 is the time in seconds the motor can safely operate at six times the rated current) is known (given by the motor manufacturer) the time constant parameter can be set basing on it. As a rule of thumb, the motor thermal time constant in minutes equals to $2 \times t_6$. If the HVX9000 is stopped, the time constant is internally increased to three times the set parameter value. The cooling at stop is based on convection with an increased time constant. See **Figure 8-19**.

Note: If the **Motor Nominal Speed** or the **Motor Nominal Current** are changed this parameter is automatically set to the default value.

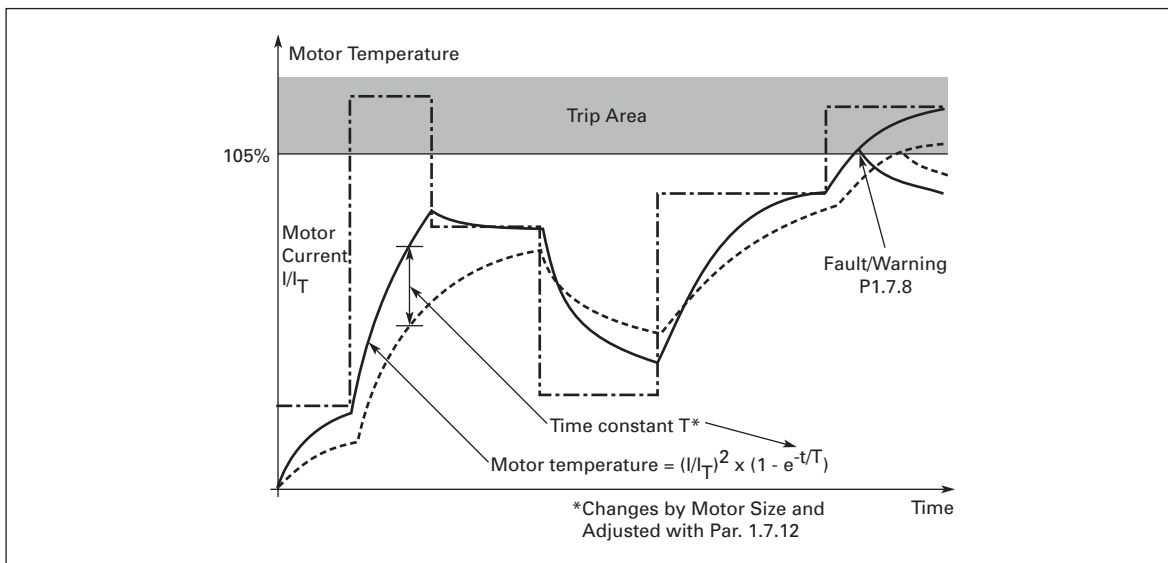


Figure 8-19: Motor Temperature Calculation

P1.7.13 Motor Duty Cycle Range: 0 – 100 Units: Percent Default: 100

MOTOR DUTY CYCLE

Defines how much of the nominal motor nameplate load is normally applied.

Stall Protection General Information

The motor stall protection protects the motor from short time overload situations such as one caused by a stalled shaft. The reaction time of the stall protection can be set shorter than that of the motor thermal protection. The stall state is defined with two parameters, **Stall Protection** and **Stall Current Limit**. If the current is higher than the set limit and output frequency is lower than the set limit, the stall state is true. There is actually no direct physical indication of the shaft rotation. Stall protection is a type of overcurrent protection.

August 2006

P1.7.14 Range: 0 – 3 Default: 1 (Warning)
Stall Protection
STALL PROTECTION
 0 No response
 1 Warning
 2 Fault, stop mode after fault according to **Stop Mode**
 3 Fault, stop mode after fault always by coasting
 Setting the parameter to 0 will deactivate the protection and reset the stall time counter.

P1.7.15 Range: 0.01 – **Motor Nominal Current** x 2 Default: **Motor Nominal Current** x 1.3
Stall Current Limit
 Units: Amperes
STALL CURRENT
 The current can be set between 0.01 and $I_{nMotor} \times 2$. For a stall stage to occur, the current must have exceeded this limit. See **Figure 8-20**. The software does not allow entering a greater value than $I_{nMotor} \times 2$. If **Motor Nominal Current** is changed, this parameter is automatically restored to the default value, $I_{nMotor} \times 1.3$.

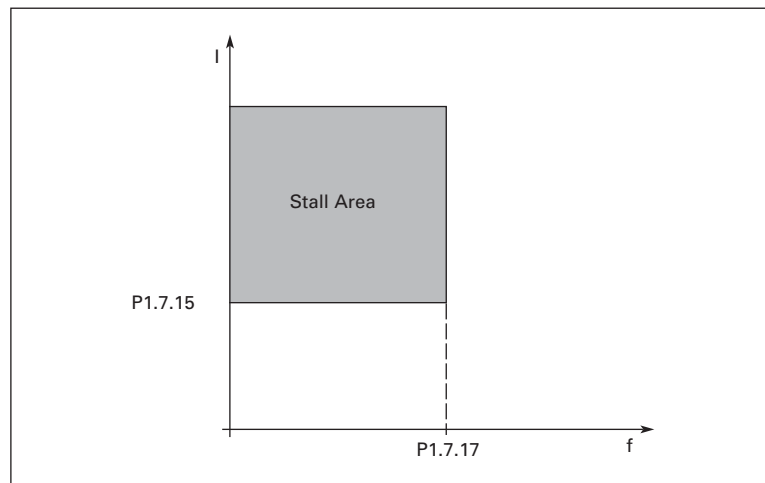


Figure 8-20: Stall Characteristics Settings

P1.7.16 Range: 1.00 – 120.00 Default: 15.00
Stall Time Limit
 Units: Seconds
STALL TIME LIM
 This is the maximum time allowed for a stall stage. The stall time is counted by an internal up/down counter. If the stall time counter value goes above this limit the protection will cause a trip (see **Stall Protection**).

P1.7.17 Range: 1.00 – **Maximum Frequency** Default: 25.00
Stall Frequency Limit
STALL FREQ LIM
 For a stall state to occur, the output frequency must be below this limit.

Underload Protection General Information

The purpose of the motor underload protection is to ensure that there is load on the motor when the HVX9000 is running. If the motor loses its load there might be a problem in the process, e.g. a broken belt or a dry pump.

Motor underload protection can be adjusted by setting the underload curve with **Underload Protection f_{nom} Torque** (Field weakening area load) and **Underload Protection f_0 Torque** (Zero frequency load), see below. The underload curve is a squared curve set between the zero frequency and the field weakening point. The protection is not active below 5 Hz (the underload time counter is stopped).

The torque values for setting the underload curve are set in percentage of the nominal nameplate torque of the motor. The motor's nameplate data, the **Motor Nominal Current** and the HVX9000 drive's nominal nameplate current rating are used to find the scaling ratio for the internal torque value. If other than a standard motor of the same rating as the HVX9000 is used, the accuracy of the torque calculation decreases.

P1.7.18 Underload Protection Range: 0 – 3 Default: 0 (No Response)
UNDERLOAD PROTEC
 0 No response
 1 Warning
 2 Fault, stop mode after fault according to **Stop Mode**
 3 Fault, stop mode after fault always by coasting
 Deactivating the protection by setting the parameter to 0 will reset the underload time counter.

P1.7.19 Underload Protection f_{nom} Torque Range: 10.0 – 150.0 Default: 50.0
 Units: Percent
UP F_{NOM} TORQUE
 This parameter is based on a percentage of the nominal nameplate motor torque, T_{nMotor} , and sets the value for the minimum torque allowed when the output frequency is above the field weakening point. See **Figure 8-21**.
 If you change the **Motor Nominal Current**, this parameter is automatically restored to the default value.

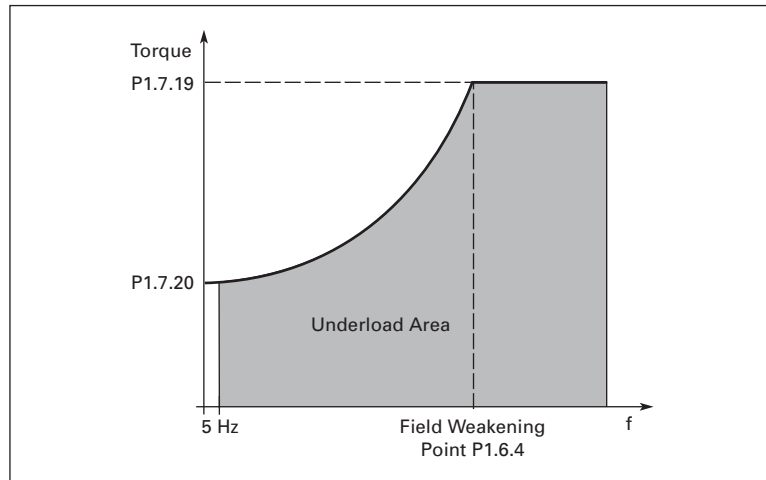


Figure 8-21: Minimum Load Setting

August 2006

P1.7.20
Underload
Protection f0
Torque

Range: 5.0 – 150.0
Units: Percent
UP FD TORQUE

Default: 10.0

This parameter is based on a percentage of the nominal nameplate motor torque, T_{nMotor} , and sets the value for the minimum torque allowed with zero frequency. See **Figure 8-21**.

If you change the value of **Motor Nominal Current**, this parameter is automatically restored to the default value.

P1.7.21
Underload
Protection Time
Limit

Range: 2.00 – 600.00
Units: Seconds
UP TIME LIMIT

Default: 20.00

This is the maximum time allowed for an underload state to exist. An internal up/down counter counts the accumulated underload time. If the underload counter value goes above this limit the protection will cause a trip according to **Underload Protection**. If the HVX9000 is stopped, the underload counter is reset to zero. See **Figure 8-22**.

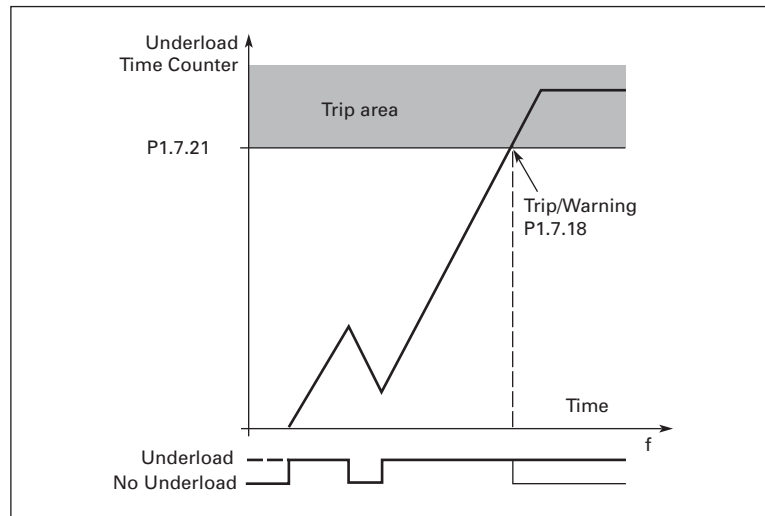


Figure 8-22: Underload Time Counter Function

P1.7.22
Thermistor Fault
Response

Range: 0 – 3
THERMISTORF RESP

Default: 0 (No Response)

A high temperature has been detected by an option board connected thermistor.

- 0 No response
- 1 Warning
- 2 Fault, stop mode after fault according to **Stop Mode**
- 3 Fault, stop mode after fault always by coasting

P1.7.23
Communications
Fault Response

Range: 0 – 3
COMM FAULT RESP

Default: 2 (Fault)

The response mode for a communication fault is set with this parameter if a communication board is being used. For more information, see the appropriate Communication Board Manual.

- 0 No response
- 1 Warning
- 2 Fault, stop mode after fault according to **Stop Mode**
- 3 Fault, stop mode after fault always by coasting

P1.7.24 Slot Communication Fault Response	Range: 0 – 3 <i>SLOTCOMMFAULTRESP</i> The response mode for a board slot fault due to missing or failed board. 0 No response 1 Warning 2 Fault, stop mode after fault according to Stop Mode 3 Fault, stop mode after fault always by coasting	Default: 2 (Fault)
--	---	--------------------

Parameter Group G1.8: Auto-Restart

The automatic restart function restarts the drive when the cause of the fault, selected with **Undervoltage Restart Tries** to **External Fault Tries** parameters, has disappeared and the waiting time, **Wait Time**, has elapsed. **Undervoltage Restart Tries** to **External Fault Tries** parameters determine the maximum number of automatic restarts during the trial time set by **Trial Time**. See **Figure 8-23**.

P1.8.1 Wait Time	Range: 0.10 – 10.00 Units: Seconds <i>WAIT TIME</i> Defines the time before the HVX9000 tries to automatically restart the motor after the cause of the fault trip has disappeared.	Default: 0.50
-----------------------------------	--	---------------

P1.8.2 Trial Time	Range: 0.00 – 60.00 Units: Seconds <i>TRIAL TIME</i> This parameter sets the trial time for the auto-restart function. The time count starts from the first auto-restart. If the number of faults occurring during the trial time exceeds the values of Undervoltage Restart Tries to External Fault Tries parameters, the fault trip is maintained. If the HVX9000 successfully restarts and no other fault occurs, the fault is cleared after the trial time has elapsed. The next fault starts the trial time count again.	Default: 30.00
------------------------------------	--	----------------

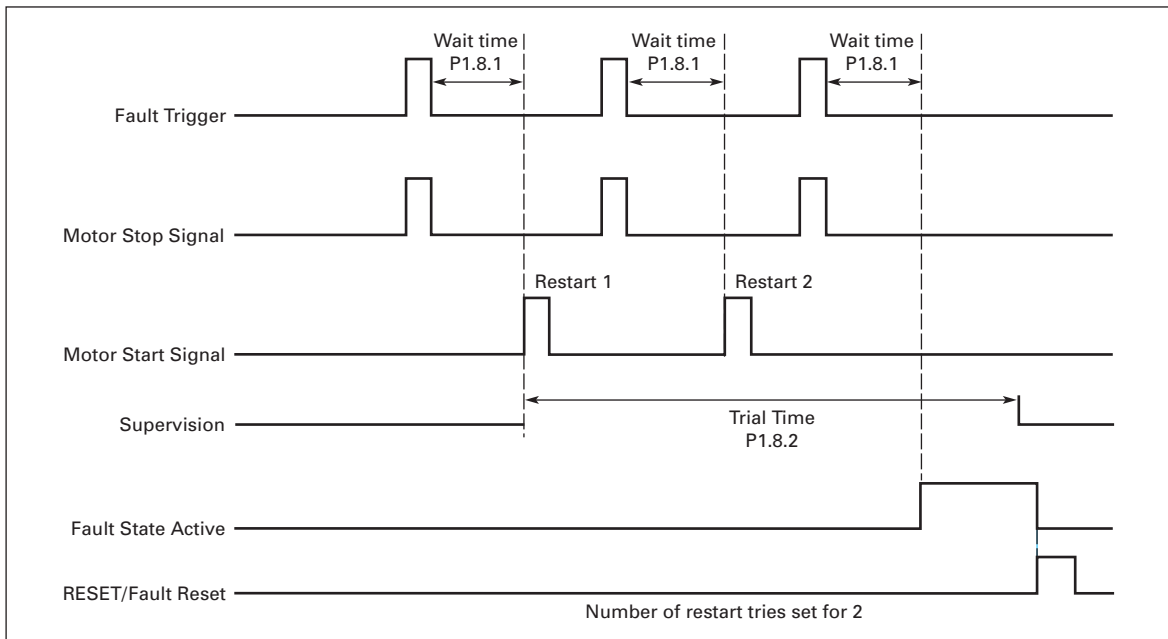


Figure 8-23: Example of Automatic Restart with Two Restarts

August 2006

P1.8.3 Start Mode	Range: 0 – 2 <i>START MODE</i> The Start function for automatic restart is selected with this parameter. 0 Ramp start 1 Flying start 2 Start according to Start Mode	Default: 0 (Ramping)
P1.8.4 Undervoltage Restart Tries	Range: 0 – 10 <i>UNDERVOLT TRIES</i> This parameter determines how many automatic restarts are allowed during the Trial Time after an undervoltage trip. 0 No automatic restart after undervoltage fault trip >0 Number of automatic restarts after undervoltage fault. The fault is reset and the HVX9000 is started automatically after the DC-link voltage has returned to the normal level.	Default: 0
P1.8.5 Overvoltage Restart Tries	Range: 0 – 10 <i>OVERVOLT TRIES</i> This parameter determines how many automatic restarts are allowed during the Trial Time after an overvoltage trip. 0 No automatic restart after overvoltage fault trip >0 Number of automatic restarts after overvoltage fault. The fault is reset and the HVX9000 is started automatically after the DC-link voltage has returned to the normal level.	Default: 0
P1.8.6 Overcurrent Restart Tries	Range: 0 – 3 <i>OVERCURRE TRIES</i> This parameter determines how many automatic restarts are allowed during the Trial Time . Note: IGBT temperature faults are included in this function. 0 No automatic restart after overcurrent fault trip >0 Number of automatic restarts after an overcurrent fault trip, saturation trip or IGBT temperature fault.	Default: 0
P1.8.7 4 mA (Reference) Fault Tries	Range: 0 – 10 <i>4 MA FAULT TRIES</i> This parameter determines how many automatic restarts are allowed during the Trial Time . 0 No automatic restart after reference fault trip >0 Number of automatic restarts after the analogue current signal (4 – 20 mA) has returned to the normal level (>4 mA)	Default: 0
P1.8.8 Motor Temperature Fault Tries	Range: 0 – 10 <i>MOTTEMPF TRIES</i> This parameter determines how many automatic restarts are allowed during the Trial Time . 0 No automatic restart after a motor temperature fault trip >0 Number of automatic restarts after the motor temperature has returned to its normal level.	Default: 0
P1.8.9 External Fault Tries	Range: 0 – 10 <i>EXTFAULT TRIES</i> This parameter determines how many automatic restarts are allowed during the Trial Time . 0 No automatic restart after external fault trip >0 Number of automatic restarts after an external fault trip	Default: 0

Parameter Group G1.9: Fire Mode PID**Fire Mode or Smoke Purge**

Fire Mode is used to start motor and continue to operate due to emergency conditions. Faults will be changed to warnings to prevent shutdown. The overload should be selected to AUTO to prevent overload trip during "Fire Mode" operation. This is only required if unit is an IntelliPass which uses an electronic overload with contactor to run motor. If set to AUTO on the overload, the overload fault will be ignored and motor will continue to run.

P1.9.1 Fire Mode Function	Range: 0 – 1 <i>FIREMODEFUNCTION</i> This parameter determines whether the fire mode function is determined by a contact closure or contact opening on digital input. 0 Closing contact initiates fire mode function 1 Opening contact initiates fire mode function	Default: 0 (Closed Contact)
P1.9.2 Fire Mode Reference Selection Function	Range: 0 – 1 <i>FIREMODEFUNCTION</i> Setting this parameter to 1 enables the Fire Mode Frequency Reference 1 or Fire Mode Frequency Reference 2 to be used as a reference in "Fire Mode" without using a digital input. 0 Disabled 1 Enabled	Default: 0
P1.9.3 Fire Mode Minimum Frequency	Range: Minimum Frequency – Maximum Frequency Units: Hertz <i>FIREMODEMINIFREQ</i> This parameter sets the minimum output frequency for fire mode.	Default: 15.00
P1.9.4 Fire Mode Frequency Reference 1	Range: 0.0 – 100.0% Units: Percent <i>FIREMODEFREQREF1</i> This parameter sets the drive operating frequency for fire mode reference 1.	Default: 75.0
P1.9.5 Fire Mode Frequency Reference 2	Range: 0.0 – 100% Units: Percent <i>FIREMODEFREQREF2</i> This parameter sets the drive operating frequency for fire mode reference 2.	Default: 100.0

**IMPORTANT**

The electronic overload on the contactor must be set to AUTO, otherwise the overload will function normally. In AUTO the contactor/overload remains "on" but sends a "fault" signal to the drive. The drive receives the signal as only a warning while in "Fire Mode" allowing continued running of the motor until destruction if need be.

- Note:** (1) Fire Mode has no effect on Bypass operation.
(2) Only pushing the STOP button on the drive keypad or removing the "Fire Mode" digital input will stop the drive operation.

August 2006

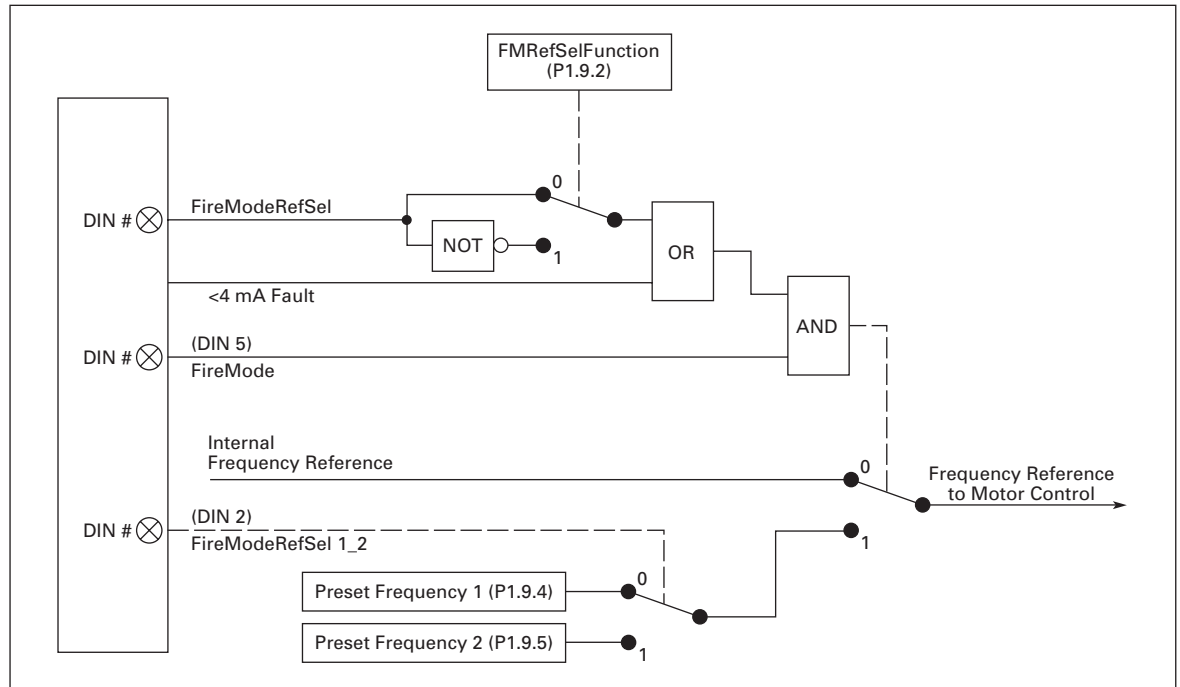


Figure 8-24: Frequency Reference Logic of the Fire Mode PID Application When Running in Fire Mode

P1.9.6 Fire Mode Auto Reset Delay Range: 0.50 – 10.00 Units: Seconds Default: 5.00
FMAUTORESETDELAY
 Time delay before forced reset after a hardware generated fault while in the fire mode.

Parameter Group G1.10: IntelliPass

P1.10.1 IntelliPass Range: 0 – 1 Default: 0 (IntelliPass Disabled)
INTELLIPASS
 This parameter identifies whether the IntelliPass bypass option is installed and enabled.
 0 IntelliPass Disabled – Not used
 1 IntelliPass enabled – Used

P1.10.2 Bypass Start Delay Range: 1 – 32,765 Units: Seconds Default: 5
BYPASS START DELAY
 This parameter specifies the time delay between when the Start Signal is applied in I/O or Fieldbus, to when the motor starts. There is no “Bypass Delay” when starting in BYPASS from the keypad.
 The keypad will display “BYPASS Starting! WARNING!!!” until the motor starts in BYPASS. This display is also active when “Auto Bypass” is active and motor is about to start in BYPASS.

P1.10.3 Auto Bypass	Range: 0 – 1 <i>AUTO BYPASS</i> This parameter specifies whether an automatic switch to bypass will occur based on Overvoltage Fault Auto Bypass P1.10.5 through Undervoltage Fault Auto Bypass P1.10.9 parameters below. 0 Auto Bypass disabled 1 Auto Bypass enabled	Default: 0 (Auto Bypass Disabled)
P1.10.4 Auto Bypass Delay	Range: 0 – 32,765 Units: Seconds <i>AUTO BYPASSDELAY</i> This parameter specifies the time delay before an automatic switch to bypass, as determined by Overvoltage Fault Auto Bypass P1.10.5 through Undervoltage Fault Auto Bypass P1.10.9 parameters, will occur.	Default: 10
P1.10.5 Overcurrent Fault Auto Bypass	Range: 0 – 1 <i>OVER 1 BYPASSENB</i> This parameter specifies whether an automatic switch to bypass will occur after the overcurrent fault auto-restart tries have been exceeded. 0 Auto bypass on overcurrent fault tries exceeded disabled 1 Auto bypass on overcurrent fault tries exceeded enabled	Default: 0
P1.10.6 IGBT Fault Auto Bypass	Range: 0 – 1 <i>IGBT FLT BYPASSENB</i> This parameter specifies whether an automatic switch to bypass will occur after the IGBT fault auto-restart tries have been exceeded. 0 Auto bypass on IGBT fault tries exceeded disabled 1 Auto bypass on IGBT fault tries exceeded enabled	Default: 0
P1.10.7 4 mA (Reference) Fault Auto Bypass	Range: 0 – 1 <i>NO REF BYPASSENB</i> This parameter specifies whether an automatic switch to bypass will occur after the loss of reference fault auto-restart tries have been exceeded. 0 Auto bypass on loss of reference fault tries exceeded disabled 1 Auto bypass on loss of reference fault tries exceeded enabled Note: P1.7.1 (4 mA (Reference) Fault Auto Bypass) must be set to 4 or 5 (Fault).	Default: 0
P1.10.8 Undervoltage Fault Auto Bypass	Range: 0 – 1 <i>UV BYPASSENB</i> This parameter specifies whether an automatic switch to bypass will occur after the undervoltage fault auto-restart tries have been exceeded. 0 Auto bypass on undervoltage fault tries exceeded disabled 1 Auto bypass on undervoltage fault tries exceeded enabled	Default: 0
P1.10.9 Overvoltage Fault Auto Bypass	Range: 0 – 1 <i>OVOLT BYPASSENB</i> This parameter specifies whether an automatic switch to bypass will occur after the overvoltage fault auto-restart tries have been exceeded. 0 Auto bypass on overvoltage fault tries exceeded disabled 1 Auto bypass on overvoltage fault tries exceeded enabled	Default: 0

August 2006

Parameter Group G1.11: PID Control

P1.11.1 PID Reference	Range: 0 – 4 <i>PID REFERENCE</i> Defines which frequency reference source is selected for the PID controller. 0 Analog voltage reference from terminals 2 – 3, e.g. potentiometer or voltage source 1 Analog current reference from terminals 4 – 5, e.g. transducer 2 PID reference from the Keypad 3 Reference from the communication bus (FB Process Data IN 1 [ID#2004]) 4 Motor potentiometer	Default: 0 (AI1)
P1.11.2 Engineering Unit	Range: 0 – 9 <i>ENGINEERING UNIT</i> Defines which engineering unit is to be used with the PID controller. This will automatically change all PID engineering units when changing this selection. 0 % Percent 1 Temperature Fahrenheit 2 Temperature Centigrade 3 PSIG 4 BAR 5 Feet 6 Inches of Water Column 7 Gallons per minute 8 Feet per minute 9 CFM (Cubic Feet per Minute) 10 PPM Parts per million	Default: 0 (% Percent)
P1.11.3 Sensor Minimum Value	Range: Varies dependent on P1.11.2 <i>SENSOR MIN.</i> This parameter sets the minimum value for the sensor in engineering units.	Default: 0.00%
P1.11.4 Sensor Maximum Value	Range: Varies dependent on P1.11.2 <i>SENSOR MAX.</i> This parameter sets the maximum value for the sensor in engineering units.	Default: 100.0%
P1.11.5 Minimum PID Setpoint	Range: Varies dependent on P1.11.2 <i>PID SETPOINT MIN</i> This parameter sets the minimum value for the PID Setpoint in engineering units.	Default: 0.00%
P1.11.6 Maximum PID Setpoint	Range: Varies dependent on P1.11.2 <i>PID SETPOINT MAX</i> This parameter sets the maximum value for the PID setpoint in engineering units.	Default: 100.0%

P1.11.7 Range: 0 – 7 Default: 0 (Actual Value 1)
Actual Value Selection
ACT VALUE SELECT
 This parameter selects the PID controller actual value input signal source.

- 0 Actual value 1
- 1 Actual value 1 + Actual value 2
- 2 Actual value 1 - Actual value 2
- 3 Actual value 1 * Actual value 2
- 4 Smaller of Actual value 1 and Actual value 2
- 5 Greater of Actual value 1 and Actual value 2
- 6 Mean value of Actual value 1 and Actual value 2
- 7 Square root of Actual value 1 + Square root of Actual value 2

P1.11.8 Range: 0 – 9 Default: 2 (AI2)
Actual Value 1 Input
ACTUAL 1 INPUT
 This parameter selects the PID controller actual value 1 input signal source.

- 0 Not used
- 1 Analog Input AI1 (control board terminals 2 and 3)
- 2 Analog Input AI2 (control board terminals 4 and 5)
- 3 Analog input AI3
- 4 Analog input AI4 (Not available at this time)
- 5 Communication bus (FB Process Data IN 2 [ID#2005])
- 6 Motor torque
- 7 Motor speed
- 8 Motor current
- 9 Motor power

P1.11.9 Range: -1000.0 – 1000.0 Default: 100.0%
Actual 1 Maximum Scale
ACT 1 MAX SCALE
 This parameter sets the maximum scaling point for actual value 1. 100% is equivalent to no maximum scaling. See **Figure 8-25**.

P1.11.10 Range: -1000.0 – 1000.0 Default: 0.0
Actual 1 Minimum Scale
ACT 1 MIN SCALE
 This parameter sets the minimum scaling point for actual value 1. 0% is equivalent to no minimum scaling. See **Figure 8-25**.

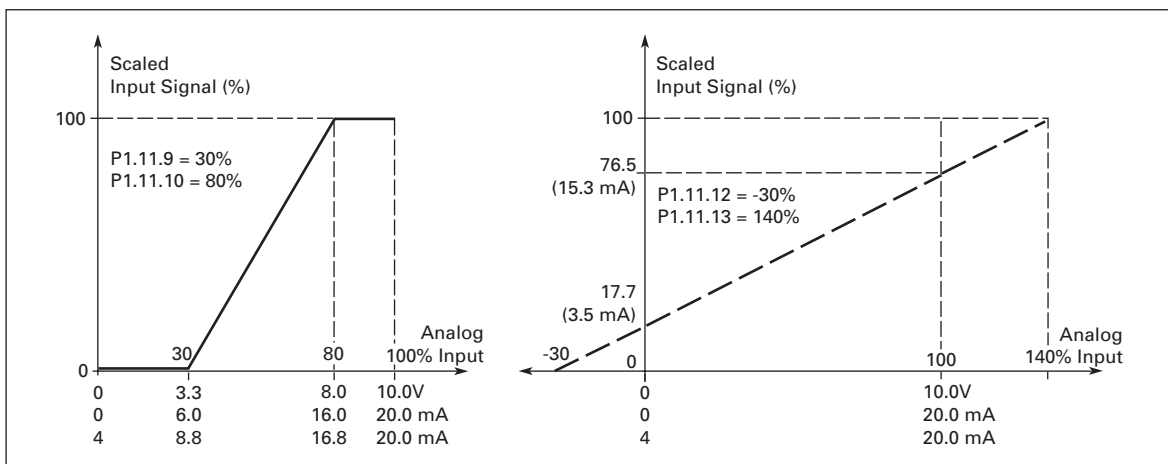


Figure 8-25: Examples of Actual Value Signal Scaling

August 2006

P1.11.11 Actual Value 2 Input	<p>Range: 0 – 9 <i>ACTUAL 2 INPUT</i></p> <p>This parameter selects the PID controller actual value 2 input signal source.</p> <ul style="list-style-type: none"> 0 Not used 1 Analog Input AI1 (control board terminals 2 and 3) 2 Analog Input AI2 (control board terminals 4 and 5) 3 Analog input AI3 4 Analog input AI4 (Not available at this time) 5 Communication bus (FB Process Data IN 3 [ID#2006]) 6 Motor torque 7 Motor speed 8 Motor current 9 Motor power 	Default: 0 (Not used)
P1.11.12 Actual 2 Maximum Scale	<p>Range: -1000.0 – 1000.0 Units: Percent <i>ACTUAL 2 MAX SCALE</i></p> <p>This parameter sets the maximum scaling point for actual value 2. 100% is equivalent to no maximum scaling. See Figure 8-25.</p>	Default: 100.0
P1.11.13 Actual 2 Minimum Scale	<p>Range: -1000.0 – 1000.0 Units: Percent <i>ACTUAL 2 MIN SCALE</i></p> <p>This parameter sets the minimum scaling point for actual value 2. 0% is equivalent to no minimum scaling. See Figure 8-25.</p>	Default: 0.0
P1.11.14 PID Control Gain	<p>Range: 0.0 – 1000.0 Units: Percent <i>PID-CONTR GAIN</i></p> <p>This parameter defines the gain of the PID controller. If the value of the parameter is set to 100%, a change of 10% in the error value causes the controller output to change by 10%. If the parameter value is set to 0, the PID controller operates as an ID-controller. See examples 1, 2 and 3 below.</p>	Default: 10.0%
P1.11.15 PID Control Gain, Read Only ^①	<p>Range: 0.0 – 1000.0 Units: Percent <i>PID-CONTR GAIN, READ ONLY</i></p>	Default: 10.0%
P1.11.16 PID Control Integral Time	<p>Range: 0.00 – 320.00 Units: Seconds <i>PID-CONTR I TIME</i></p> <p>This parameter defines the integration time of the PID controller. If this parameter is set to 1.00 second, a change of 10% in the error value causes the controller output to change by 10.00%/s. If the parameter value is set to 0.00 s, the PID controller will operate as a PD controller. See examples 1, 2 and 3 below.</p>	Default: 10.00
P1.11.17 PID Control Integral Time, Read Only ^①	<p>Range: 0.00 – 320.00 Units: Seconds <i>PID-CONTR I TIME, READ ONLY</i></p>	Default: 10.00

^① This Read Only Value is only present when the Parameter Lock is set to "Change Disable". Also when the "Lock Panel" is "On" from the Siemens Apogee Network. The preceding parameter becomes invisible.

P1.11.18
PID Control
Derivative Time

Range: 0.00 – 10.00
Units: Seconds
PID-CONTR D TIME

Default: 0.00

This parameter defines the derivation time of the PID controller. If this parameter is set to 1.00 seconds, a change of 10% in the error value during 1.00 s causes the controller output to change by 10.00%. If the parameter value is set to 0.00 s the PID controller will operate as a PI controller. See examples 1, 2 and 3 below.

P1.11.19
PID Control
Derivative Time,
Read Only ^①

Range: 0.00 – 10.00
Units: Seconds
PID-CONTR D TIME, READ ONLY

Default: 0.00

Example 1:

In order to reduce the error value to zero, with the given values, the drive output behaves as follows:

Given values:

PID Control Gain, P = 0%

PID Control Integral Time, I-time = 1.00 s

PID Control Derivative Time, D-time = 0.00 s

Error value (setpoint – process value) = 10.00%

PID Max Limit = 100.0%

PID Min Limit = 0.0%

Min Frequency = 0 Hz

Max Frequency = 60 Hz

In this example, the PID controller operates practically as I-controller only.

According to the given value of parameter **PID Control Integral Time** (I-time), the PID output increases by 5 Hz (10% of the difference between the maximum and minimum frequency) every second until the error value is 0.

^① This Read Only Value is only present when the Parameter Lock is set to "Change Disable". Also when the "Lock Panel" is "On" from the Siemens Apogee Network. The preceding parameter becomes invisible.

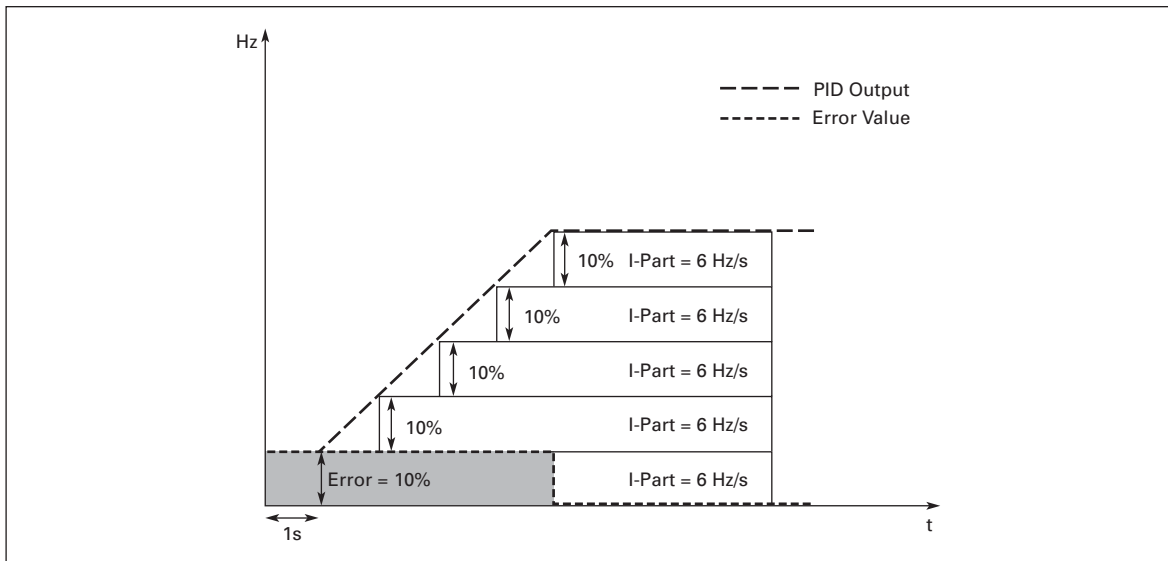


Figure 8-26: PID Controller D-Time, Example 1

August 2006

Example 2:

Given values:

PID Control Gain, P = 0%

PID Control Integral Time, I-time = 1.00 s

PID Control Derivative Time, D-time = 1.00 s

Error value (setpoint – process value) = ±10%

PID Max Limit = 100.0%

PID Min Limit = 0.0%

Min Frequency = 0 Hz

Max Frequency = 60 Hz

As the power is switched on, the system detects the difference between the setpoint and the actual process value and starts to either raise or decrease (in case the error value is negative) the PID output according to the I-time. Once the difference between the setpoint and the process value has been reduced to 0, the output is reduced by the amount corresponding to the value of **PID Control Integral Time**. In case the error value is negative, the HVX9000 reacts reducing the output correspondingly. See below.

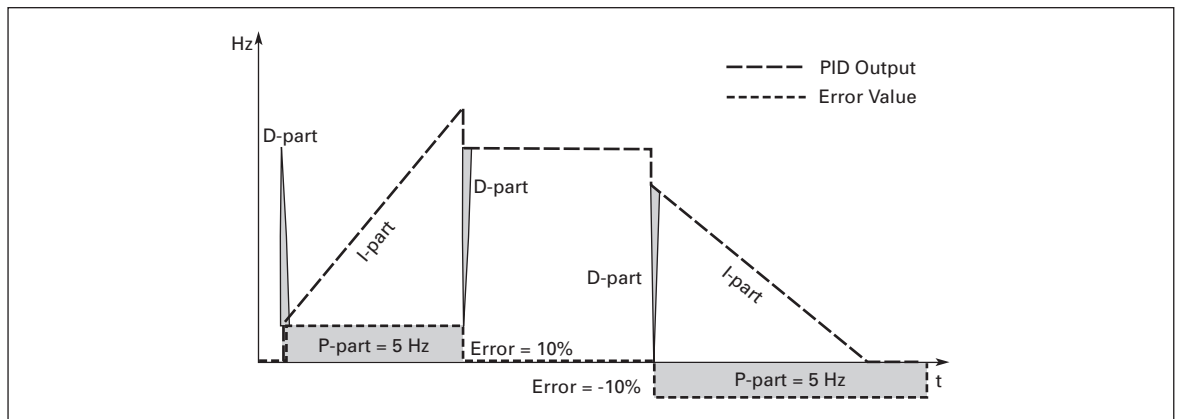


Figure 8-27: PID Controller D-Time, Example 2

Example 3:

Given values:

PID Control Gain, P = 0%

PID Control Integral Time, I-time = 0.00 s

PID Control Derivative Time, D-time = 1.00 s

Error value (setpoint – process value) = ±10%/s

PID Max Limit = 100.0%

PID Min Limit = 0.0%

Min Frequency = 0 Hz

Max Frequency = 60 Hz

As the error value increases, also the PID output increases according to the set values (D-time = 1.00s)

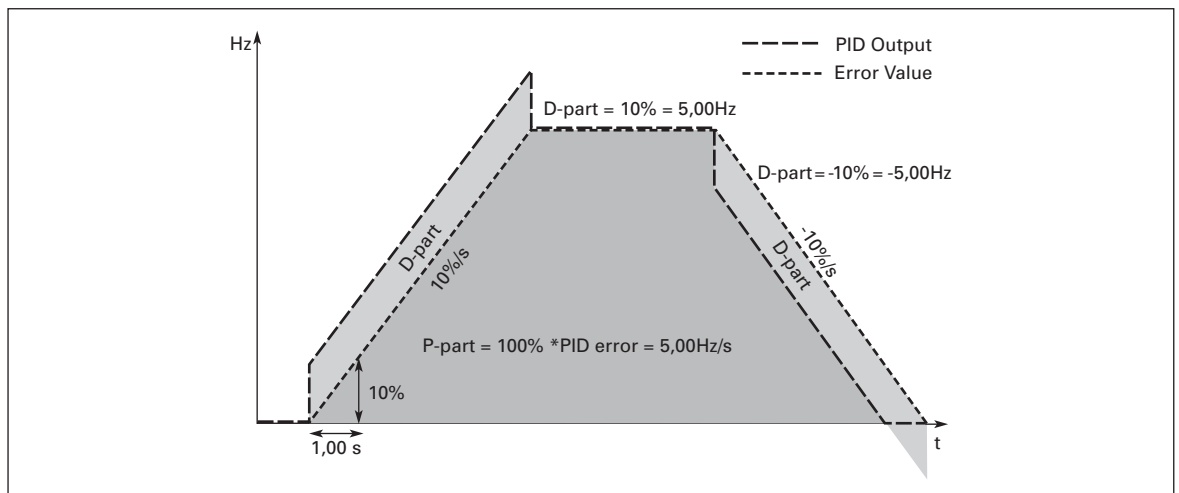


Figure 8-28: PID Controller D-Time, Example 3

P1.11.20 PID Reference Rise Time	Range: 0.0 – 100.0 Units: Seconds <i>PID REF RISE TIM</i> Defines the time during which the PID controller reference rises from 0% to 100%.	Default: 5.0
P1.11.21 PID Reference Fall Time	Range: 0.0 – 100.0 Units: Seconds <i>PID REF FALL TIM</i> Defines the time during which the PID controller reference falls from 100% to 0%.	Default: 5.0
P1.11.22 PID Error Value Inversion	Range: 0 – 1 <i>ERROR INVERSION</i> This parameter allows you to invert the error value of the PID controller (and thus the operation of the PID controller). 0 No inversion 1 Inverted	Default: 0 (No Inversion)
P1.11.23 Sleep Function Enabled	Range: 0 – 1 <i>SLEEP FUNC ENABL</i> 0 Disabled 1 Enabled This parameter sets whether the sleep function is enabled or disabled. If the sleep function is enabled, the HVX9000 is stopped automatically if its operating frequency falls below the Sleep level defined by Sleep Frequency for a time greater than that determined by Sleep Delay . During the Stop state, the PID controller is operating. The HVX9000 will switch to the Run state when the actual value signal either falls below or exceeds (see Wake Up Action) the Wake-Up level determined by Wake Up Limit . See Figure 8-29 .	Default: 0
P1.11.24 Sleep Frequency	Range: Min Frequency – Max Frequency Units: Hertz <i>SLEEP FREQUENCY</i> The frequency converter is stopped automatically if the frequency of the HVX9000 falls below the Sleep level defined with this parameter for a time greater than that determined by Sleep Delay . During the Stop state, the PID controller is operating. The HVX9000 will switch to the Run state when the actual value signal either falls below or exceeds (see Wake Up Action) the Wake Up Limit . See Figure 8-29 .	Default: 15.00
P1.11.25 Sleep Delay	Range: 0 – 32,500 Units: Seconds <i>SLEEP DELAY</i> The minimum amount of time the frequency has to remain below the Sleep level before the HVX9000 is stopped. See Figure 8-29 .	Default: 30

August 2006

P1.11.26 Range: 0.00 – 100.00 Default: 25.00
Wake Up Limit Units: Percent

WAKE UP LIMIT

The wake up limit defines the frequency below which the actual value must fall or which has to be exceeded before the Run state of the HVX9000 is restored. See **Figure 8-29**.

P1.11.27 Range: 0 – 1 Default: 0 (Below Level)
Wake Up Action *WAKE UP ACTION*

This parameter defines if the restoration of the Run state occurs when the actual value signal falls below or exceeds the **Wake Up Limit**. See **Figure 8-29**.

- 0 Wake up falling below limit
- 1 Wake up exceeding limit

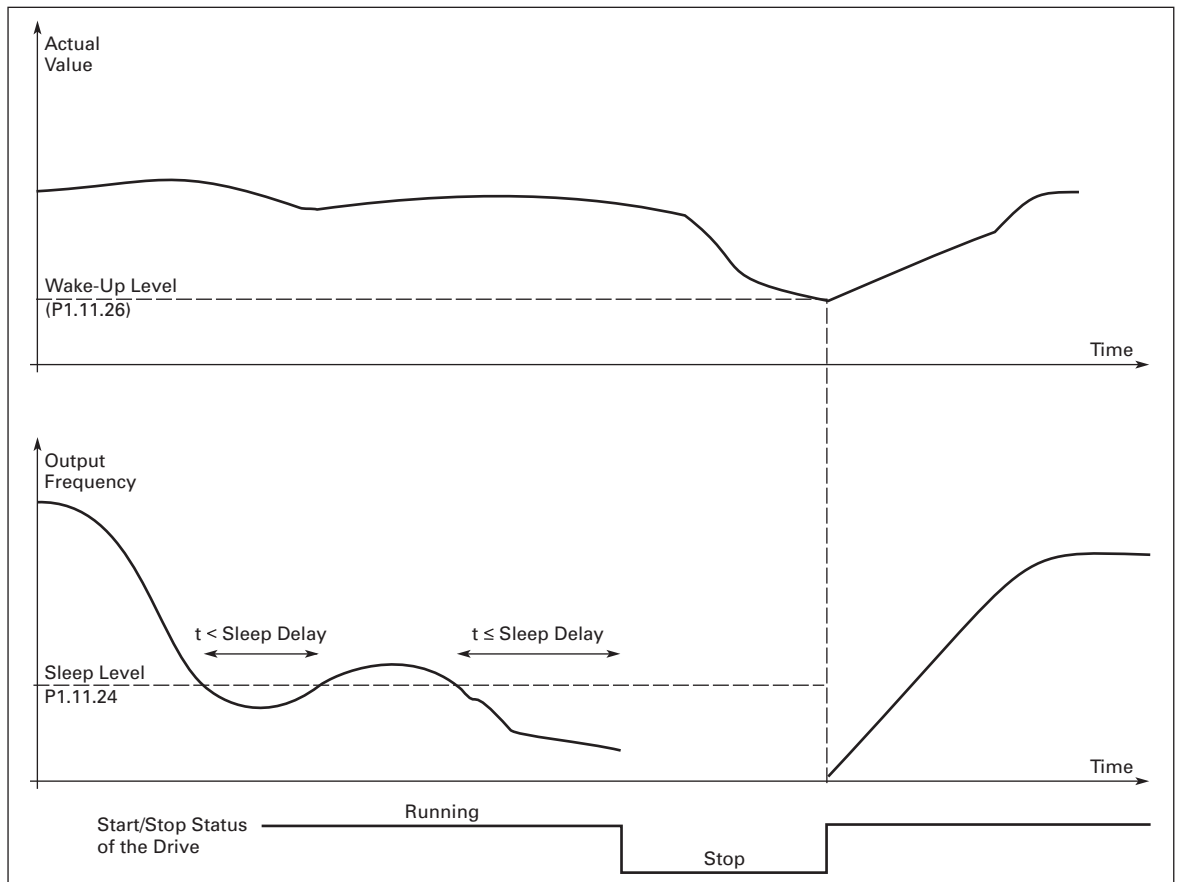


Figure 8-29: Frequency Converter Sleep Function

P1.11.28
PID Sum Point
Reference Selection

Range: 0 – 7

Default: 0 (No additional reference)

PID SUMPOINT REF

Defines which reference source is added to PID controller output if PID controller is used. See **Figure 8-30**.

- 0 No additional reference (Direct PID output value)
- 1 PID output + AI1 reference from terminals 2 and 3 (e.g. potentiometer)
- 2 PID output + AI2 reference from terminals 4 and 5 (e.g. transducer)
- 3 PID output + AI3 reference (Not available at this time)
- 4 PID output + AI4 reference (Not available at this time)
- 5 PID output + PID keypad reference
- 6 PID output + Communication bus
- 7 PID output + Motor potentiometer

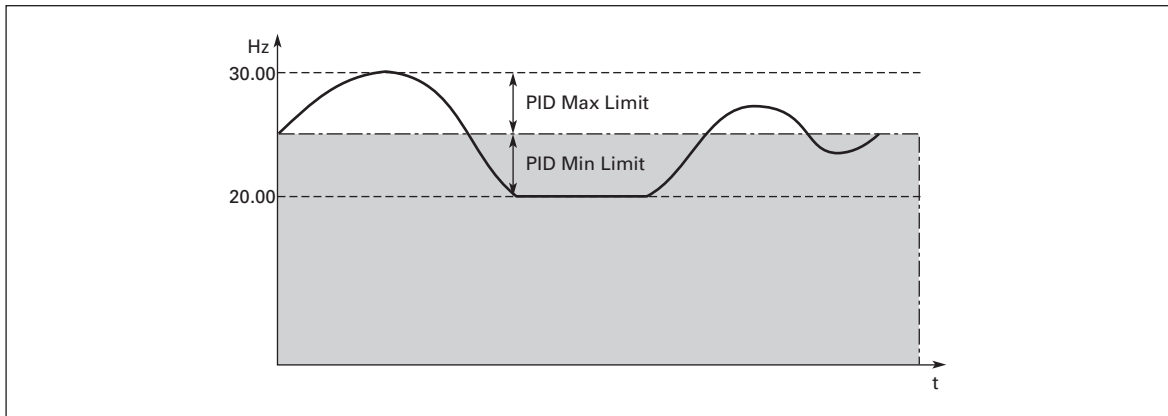


Figure 8-30: PID Output + Motor Potentiometer Reference

Note: The maximum and minimum limits illustrated in the picture limit only the PID output, no other outputs.

August 2006

Parameter Group G1.12: Preset Speeds

P1.12.1 #1 Preset Speed	Range: 0.0 – 100.0 Units: Percent <i>#1 PRESET SPEED</i> This parameter defines the #1 preset speed.	Default: 10.0
P1.12.2 #2 Preset Speed	Range: 0.0 – 100.0 Units: Percent <i>#2 PRESET SPEED</i> This parameter defines the #2 preset speed.	Default: 20.0
P1.12.3 #3 Preset Speed	Range: 0.0 – 100.0 Units: Percent <i>#3 PRESET SPEED</i> This parameter defines the #3 preset speed.	Default: 30.0
P1.12.4 #4 Preset Speed	Range: 0.0 – 100.0 Units: Percent <i>#4 PRESET SPEED</i> This parameter defines the #4 preset speed.	Default: 40.0
P1.12.5 #5 Preset Speed	Range: 0.0 – 100.0 Units: Percent <i>#5 PRESET SPEED</i> This parameter defines the #5 preset speed.	Default: 50.0
P1.12.6 #6 Preset Speed	Range: 0.0 – 100.0 Units: Percent <i>#6 PRESET SPEED</i> This parameter defines the #6 preset speed.	Default: 75.0
P1.12.7 #7 Preset Speed	Range: 0.0 – 100.0 Units: Percent <i>#7 PRESET SPEED</i> This parameter defines the #7 preset speed.	Default: 100.0

Note: Speeds are selected based on “Speed Select 1” through “Speed Select 3” digital input selections. The “Speed Selects” are based on Binary inputs converted to the “7 Preset Speeds”. See **Table 8-8** and Multistep Manual.

Table 8-8: Binary Inputs for Seven Preset Speeds

Preset Speed #	Speed Select 1	Speed Select 2	Speed Select 3
1	1	0	0
2	0	1	0
3	1	1	0
4	0	0	1
5	1	0	1
6	0	1	1
7	1	1	1

Parameter Group G1.13: Fieldbus

P1.13.1 Fieldbus Data Out 1 Select	Range: 0 – 10000 <i>FBDATROUT1SEL</i> Allows a parameter or monitored value to be viewed from the communication bus. No decimal point is available, so scaling must be done by the viewing device. See Table 8-9 .	Default: 1590 (Motor speed – %)
P1.13.2 Fieldbus Data Out 2 Select	Range: 0 – 10000 <i>FBDATROUT2SEL</i> Allows a parameter or monitored value to be viewed from the communication bus. No decimal point is available, so scaling must be done by the viewing device. See Table 8-9 .	Default: 1 (Output frequency – Hz)
P1.13.3 Fieldbus Data Out 3 Select	Range: 0 – 10000 <i>FBDATROUT3SEL</i> Allows a parameter or monitored value to be viewed from the communication bus. No decimal point is available, so scaling must be done by the viewing device. See Table 8-9 .	Default: 25 (Frequency reference – Hz)
P1.13.4 Fieldbus Data Out 4 Select	Range: 0 – 10000 <i>FBDATROUT4SEL</i> Allows a parameter or monitored value to be viewed from the communication bus. No decimal point is available, so scaling must be done by the viewing device. See Table 8-9 .	Default: 2 (Motor speed – rpm)
P1.13.5 Fieldbus Data Out 5 Select	Range: 0 – 10000 <i>FBDATROUT5SEL</i> Allows a parameter or monitored value to be viewed from the communication bus. No decimal point is available, so scaling must be done by the viewing device. See Table 8-9 .	Default: 1780 (Motor current)
P1.13.6 Fieldbus Data Out 6 Select	Range: 0 – 10000 <i>FBDATROUT6SEL</i> Allows a parameter or monitored value to be viewed from the communication bus. No decimal point is available, so scaling must be done by the viewing device. See Table 8-9 .	Default: 5 (Motor power)

August 2006

P1.13.7 Fieldbus Data Out 7 Select	Range: 0 – 10000 <i>FBDATAOUT7SEL</i> Allows a parameter or monitored value to be viewed from the communication bus. No decimal point is available, so scaling must be done by the viewing device. See Table 8-9 .	Default: 1701 (Motor run time – minutes)
P1.13.8 Fieldbus Data Out 8 Select	Range: 0 – 10000 <i>FBDATAOUT8SEL</i> Allows a parameter or monitored value to be viewed from the communication bus. No decimal point is available, so scaling must be done by the viewing device. See Table 8-9 .	Default: 1666 (Energy meter – kW)
P1.13.9 Siemens FLN Address Selection	Range: 0 – 99 <i>FLN ADDRESS</i> Sets communications address for Siemens Apogee System.	Default: 99
P1.13.10 Siemens FLN Address Selection, Read Only ^①	Range: 0 – 99 <i>FLN ADDRESS</i> Reads communications address for Siemens Apogee System.	Default: 99

^① This Read Only Value is only present when the Parameter Lock is set to “Change Disable”. Also when the “Lock Panel” is “On” from the Siemens Apogee Network. The preceding parameter becomes invisible.

Table 8-9: Fieldbus Output Selection Examples

Code	ID#	Description
V5.1	2	Calculated motor speed
V5.2	1590	Motor Nominal Speed %
V5.3	25	Frequency reference setting
V5.4	1	Frequency to the motor
V5.5	1780	Measured motor current
V5.6	4	Calculated torque based on nominal motor torque
V5.7	5	Calculated power based on nominal motor power
V5.8	1888	Calculated power based on output to motor
V5.9	1666	Kilowatt hours total usage
V5.10	6	Calculated motor voltage
V5.11	7	Measured DC-bus voltage
V5.12	1701	Motor run time total
P5.13	1565	Changes motor run time between seconds, minutes, hours and days
V5.14	8	Unit heatsink temperature
V5.15	1917	Calculated motor temperature based on the motor nameplate information and the calculated motor load
V5.16	13	Voltage Input at Terminal AI1+ and GND
V5.17	14	Current Input at Terminals AI2+ and AI2-
V5.18	1680	Current Input at Terminals AI3+ and AI3-
V5.19	1710	Current Input at Terminals AI4+ and AI4-
V5.20	15	Digital input status DIN-1 – DIN-3 (Binary converted to decimal)
V5.21	16	Digital input status DIN-4 – DIN-6 (Binary converted to decimal)
V5.22	1904	Digital Input status. All digital Inputs. (Binary converted to decimal)
V5.23	17	Digital and relay output status D01, R01, R02 (Binary converted to decimal)
V5.24	1678	Relay output status R03 – R05 status (Binary converted to decimal)
V5.25	1773	Status of all relay outputs D01 – R08 status (Binary converted to decimal)
V5.26	26	Current Output at Terminals AO1+ and AO1-
V5.27	1874	Current Output at Terminals AO2+ and AO2-
V5.28	1875	Current Output at Terminals AO3+ and AO3-
V5.29	20	PID Setpoint Level
V5.30	21	PID Actual Level
V5.31	22	PID Error Value
V5.32	23	PID Output
G5.33	—	Active Faults
G5.34	—	Fault History
G5.35	—	Multimonitor

August 2006

Appendix A — Technical Data

Specifications

Table A-1: HVX9000 Drive Specifications

Description	Specification
Power Connections	
Input Voltage (V_{in})	230V +10%/-15% 480V +10%/-15% 575V +10%/-15%
Input Frequency (f_{in})	50/60 Hz (variation up to 45 – 66 Hz)
Connection to Utility Power	Once per minute or less (typical operation)
High Interrupt Rating	The current withstand rating of the drive is 100,000 Amperes When Freedom Starters and an HMCP, the current interrupting rating is 100,000 Amperes When used with <i>IT</i> style starters, the current interrupting rating is 36,000 Amperes
Motor Connections	
Output Voltage	0 to V_{in}
Continuous Output Current	Ambient temperature max. +104°F (+40°C), overload 1.1 x I_L (1 min./10 min.)
Starting Torque	110%
Output Frequency	0 to 320 Hz
Frequency Resolution	0.01 Hz
Control Characteristics	
Control Method	Frequency Control (V/f) Open Loop Sensorless Vector Control
Switching Frequency	Adjustable with Switching Frequency 230V: 1 – 20 hp: 1 to 16 kHz; default 10 kHz 25 – 40 hp: 1 to 10 kHz; default 3.6 kHz 480V: 1 – 40 hp: 1 to 16 kHz; default 10 kHz 50 – 250 hp: 1 to 10 kHz; default 3.6 kHz 575V: All hp: 1 to 6 kHz; default 1.5 kHz
Frequency Reference	Analog Input: Resolution 0.1% (10-bit), accuracy ±1% Panel Reference: Resolution 0.01 Hz
Field Weakening Point	30 to 320 Hz
Acceleration Time	0.1 to 3000 sec.
Deceleration Time	0.1 to 3000 sec.
Braking Torque	DC brake: 15% to 150% x T_n (without brake option)
Environment	
Ambient Operating Temperature	14°F (-10°C), no frost to 104°F (+40°C) Suitable for installation in a compartment handling conditioned air.
Storage Temperature	-40°F (-40°C) to 158°F (70°C)
Relative Humidity	0 to 95% RH, noncondensing, non-corrosive, no dripping water
Air Quality	Chemical vapors: IEC 60721-3-3, unit in operation, class 3C2 Mechanical particles: IEC 60721-3-3, unit in operation, class 3S2
Altitude	100% load capacity (no derating) up to 3300 ft. (1000m); 1% derating for each 330 ft. (100m) above 3300 ft. (1000m); max. 10000 ft. (3000m)

Table A-1: HVX9000 Drive Specifications, continued

Description	Specification
Environment, continued	
Vibration	EN 50178, EN 60068-2-6 5 to 50 Hz, displacement amplitude 1 mm (peak) at 3 to 15.8 Hz, Max. acceleration amplitude 1 G at 15.8 to 150 Hz
Shock	EN 50178, EN 60068-2-27 UPS Drop test (for applicable UPS weights) Storage and shipping: max. 15 G, 11 ms (in package)
Enclosure Class	NEMA 1/IP21 standard 250 hp and below Open chassis standard 300 hp and above
Standards	
EMC (at default settings)	Immunity: Fulfills all EMC immunity requirements Emissions: EN 61800-3
Safety	UL 508C
Product	IEC 61800-2
Control Connections	
Analog Input Voltage	0 to 10V, R - 200 Ω differential (-10 to 10V joystick control) Resolution 0.1%; accuracy \pm 1%
Analog Input Current	0(4) to 20 mA; R _i - 250 Ω differential
Digital Inputs (6)	Positive or negative logic; 18 to 24V DC
Auxiliary Voltage	+24V \pm 15%, max. 250 mA
Output Reference Voltage	+10V +3%, max. load 10 mA
Analog Output	0(4) to 20 mA; R _L max. 500 Ω ; Resolution 10 bit; Accuracy \pm 2% or 0 to 10V, R _L 1 k Ω , select with jumper
Digital Outputs	Open collector output, 50 mA/48V
Relay Outputs	2 programmable Form C relay outputs Switching capacity: 24V DC / 8A, 250V AC / 8A, 125V DC / 0.4A Minimum switching load: 5V/10 mA Continuous capacity: <2 A _{rms}
Protections	
Overcurrent Protection	Yes
Undervoltage Protection	Yes
Ground (Earth) Fault	In case of a ground fault in motor or motor cables, only the HVX9000 is protected
Input Phase Supervision	Trips if any of the input phases are missing
Motor Phase Supervision	Trips if any of the output phases are missing
Overtemperature Protection	Yes
Motor Overload Protection	Yes
Motor Stall Protection	Yes
Motor Underload Protection	Yes
Short Circuit Protection of the +24V and +10V Reference Voltages	Yes

August 2006

Power Ratings

Table A-2: 230V I_L Output Power Ratings

Catalog Number ①	Frame Size	Three-Phase Input	
		Horsepower	Current
HVX001Ax-2A_1 HVXF15Ax-2A_1 HVX002Ax-2A_1 HVX003Ax-2A_1	FR4	1 1-1/2 2 3	4.8 6.6 7.8 11
HVX005Ax-2A_1 HVX007Ax-2A_1 HVX010Ax-2A_1	FR5	5 7-1/2 10	17.5 25 31
HVX015Ax-2A_1 HVX020Ax-2A_1	FR6	15 20	48 61
HVX025Ax-2A_1 HVX030Ax-2A_1 HVX040Ax-2A_1	FR7	25 30 40	72 87 114
HVX050Ax-2A_1 HVX060Ax-2A_1 HVX075Ax-2A_1	FR8	50 60 75	140 170 205

① Insert a "1" for NEMA Type 1 or a "2" for NEMA Type 12 in place of the "x" in the Catalog Number.

Table A-3: 480V I_L Output Power Ratings

Catalog Number ①	Frame Size	Three-Phase Input	
		Horsepower	Current
HVXF15Ax-4A_1 HVX002Ax-4A_1 HVX003Ax-4A_1 HVX005Ax-4A_1 HVX007Ax-4A_1	FR4	1-1/2 2 3 4 7-1/2	3.3 4.3 5.6 7.6 12
HVX010Ax-4A_1 HVX015Ax-4A_1 HVX020Ax-4A_1	FR5	10 15 20	16 23 31
HVX025Ax-4A_1 HVX030Ax-4A_1 HVX040Ax-4A_1	FR6	25 30 40	38 46 61
HVX050Ax-4A_1 HVX060Ax-4A_1 HVX075Ax-4A_1	FR7	50 60 75	72 87 105
HVX100Ax-4A_1 HVX125Ax-4A_1 HVX150Ax-4A_1	FR8	100 125 150	140 170 205
HVX200Ax-4A_1 HVX250Ax-4A_1	FR9	200 250	261 300
HVX300A0-4A_1 HVX350A0-4A_1 HVX400A0-4A_1	FR10	300 350 400	385 460 520
HVX500A0-4A_1 HVX550A0-4A_1 HVX600A0-4A_1	FR11	500 550 600	590 650 730

① Insert a "1" for NEMA Type 1 or a "2" for NEMA Type 12 in place of the "x" in the Catalog Number.

Table A-4: 575V I_L Output Power Ratings

Catalog Number	Frame Size	Three-Phase Input	
		Horsepower	Current
HVX003A1-5A4N1 HVX005A1-5A4N1 HVX007A1-5A4N1 HVX010A1-5A4N1	FR6	3	4.5
		5 7-1/2 10	7.5 10 13.5
HVX015A1-5A4N1 HVX020A1-5A4N1 HVX025A1-5A4N1 HVX030A1-5A4N1	FR6	15	18
		20 25 30	22 27 34
HVX040A1-5A4N1 HVX050A1-5A4N1	FR7	40 50	41 52
HVX060A1-5A4N1 HVX075A1-5A4N1 HVX100A1-5A4N1	FR8	60 75 100	62 80 100
HVX125A1-5A4N1 HVX150A1-5A4N1 HVX200A1-5A4N1	FR9	125 150 200	125 144 208

Power Loss and Switching Frequency

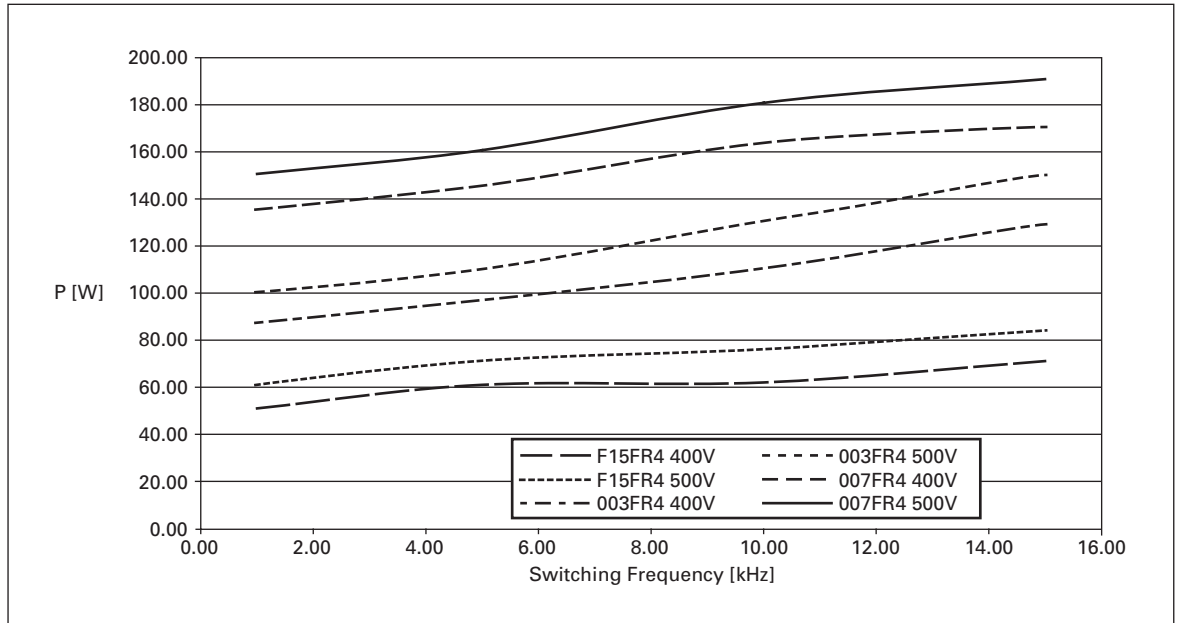
In some situations it may be desirable to change the switching frequency of the HVX9000 for some reason (typically e.g. to reduce the motor noise). Raising the switching frequency above the factory default level increases the drive power loss and increases the cooling requirements. **Figures A-1 through A-6** illustrate the power loss increase for the different HVX9000 models. When operating above the default switching frequency, the HVX9000 output current rating should be derated by the ratio of the increased power loss to the nominal power loss.

Example: The user of a 40 hp, 61A, 480V HVX9000 wishes to increase the switching frequency from the factory default value of 10 kHz to 15 kHz to reduce motor noise. From **Figure A-3** the loss at the factory default switching frequency of 10 kHz is 1240 watts. The loss at 15 kHz from **Figure A-3** is 1340 watts.

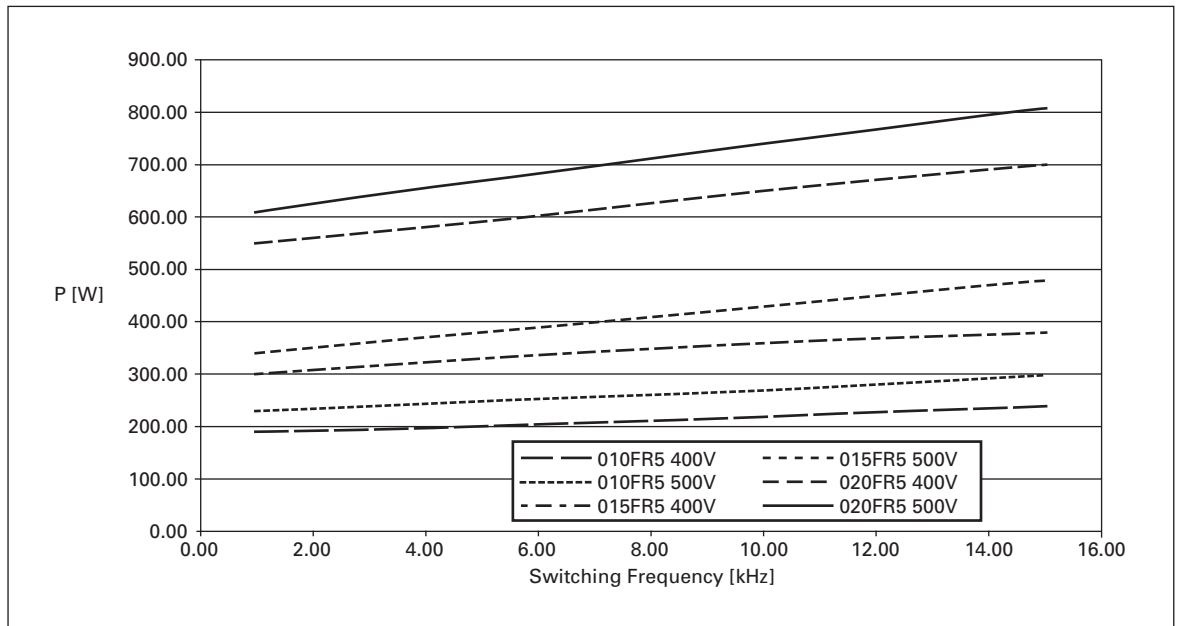
$$\text{Re rate} = 61 \times \frac{1240}{1340} = 56\text{A}$$

Thus at the increased switching frequency, the maximum load allowed is 56A to avoid overheating the HVX9000.

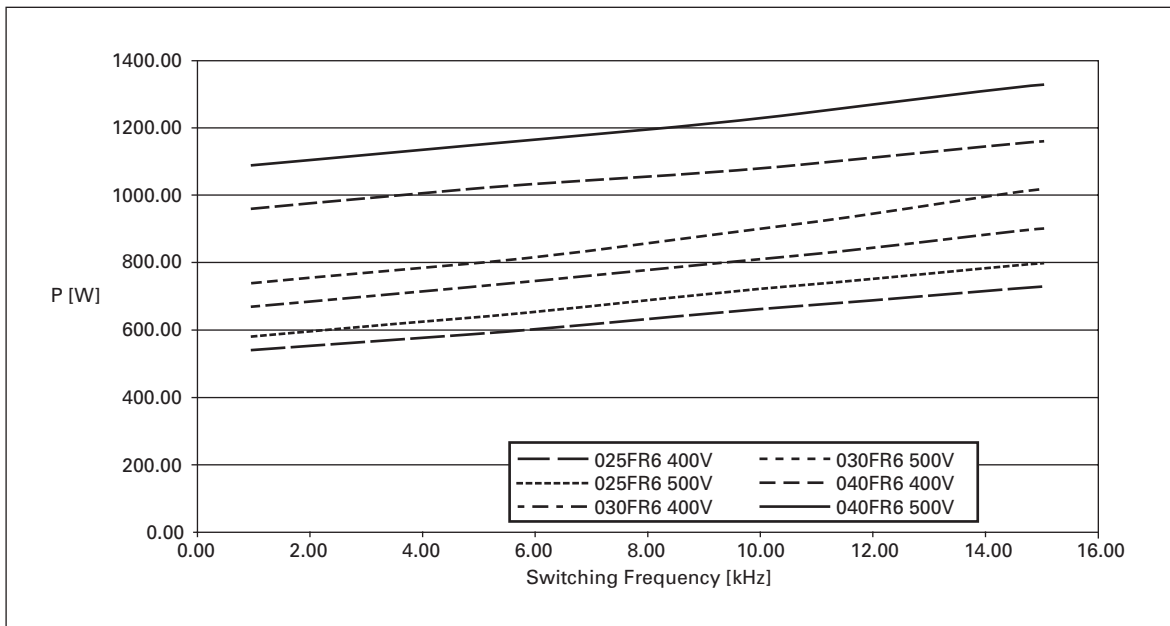
August 2006



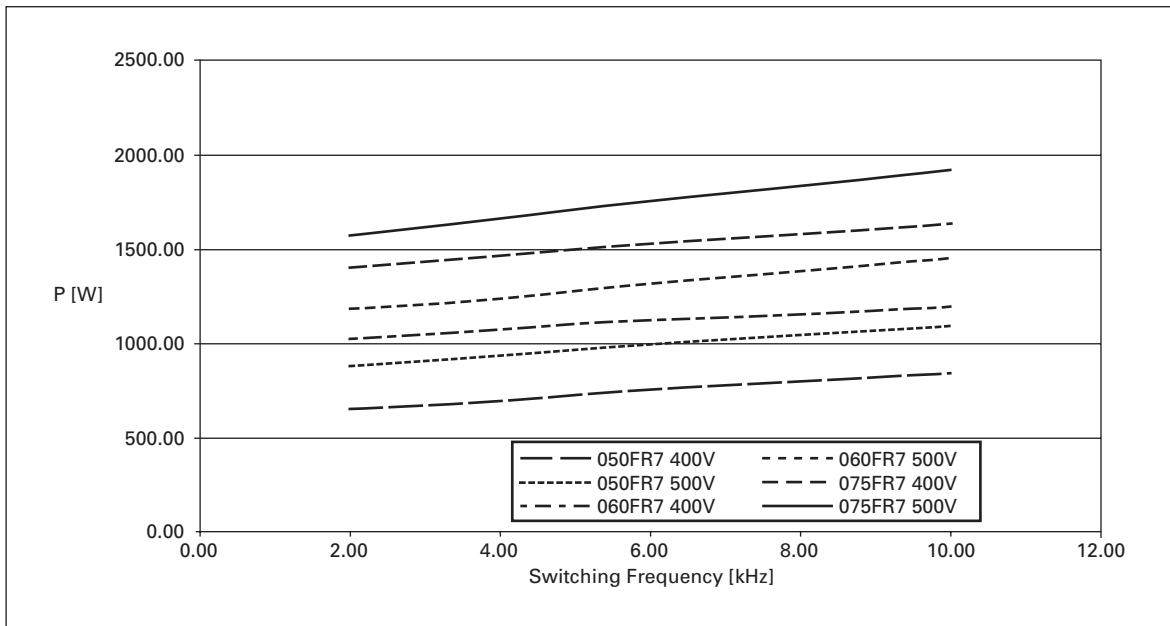
**Figure A-1: Power Loss as Function of Switching Frequency:
1 – 3 hp 230V, 1-1/2 – 7-1/2 hp 480V**



**Figure A-2: Power Loss as Function of Switching Frequency:
5 – 10 hp 230V, 10 – 20 hp 480V**

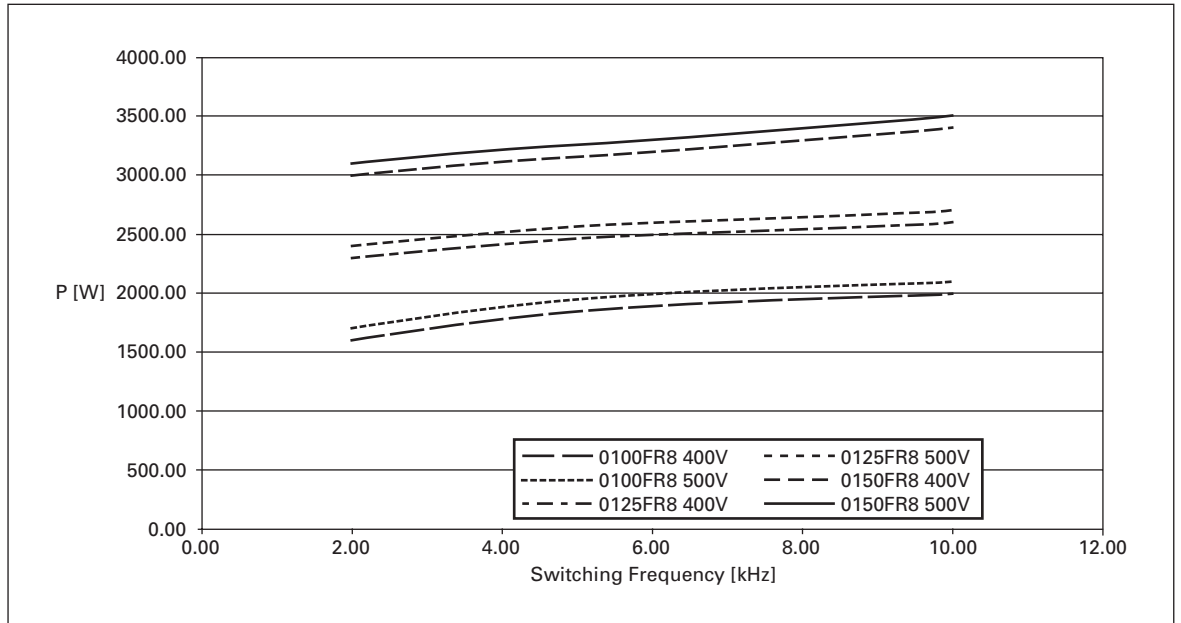


**Figure A-3: Power Loss as Function of Switching Frequency:
15 – 20 hp 230V, 25 – 40 hp 480V**

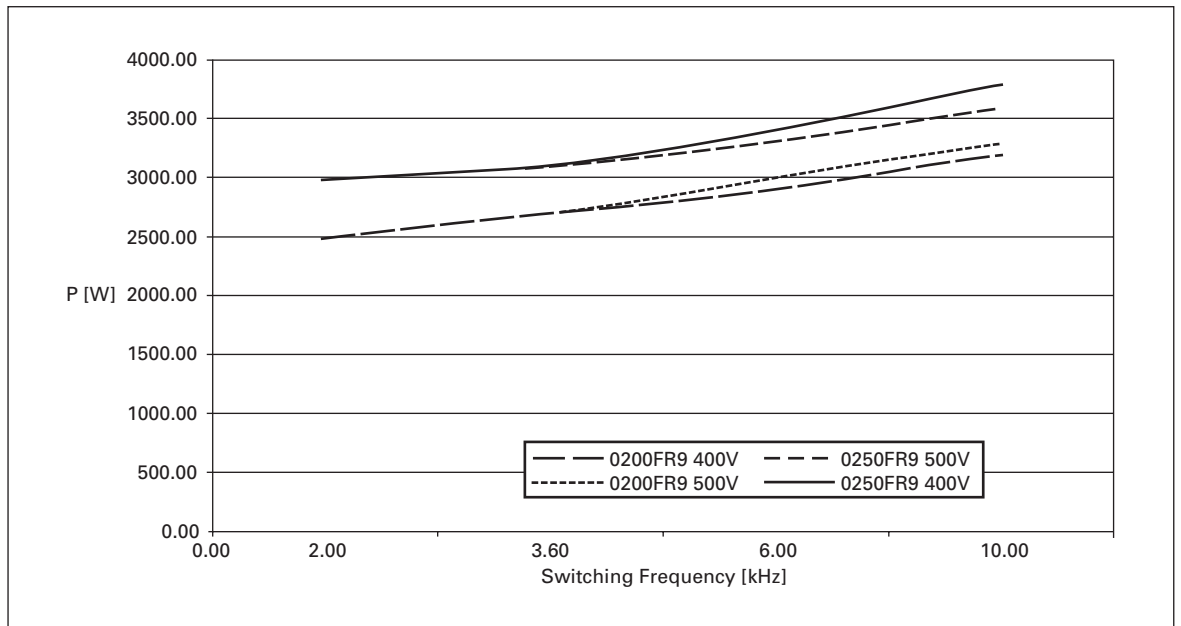


**Figure A-4: Power Loss as Function of Switching Frequency:
50 – 75 hp 480V**

August 2006



**Figure A-5: Power Loss as Function of Switching Frequency:
100 – 150 hp 480V**



**Figure A-6: Power Loss as Function of Switching Frequency:
200 – 250 hp 480V**

Dimensions

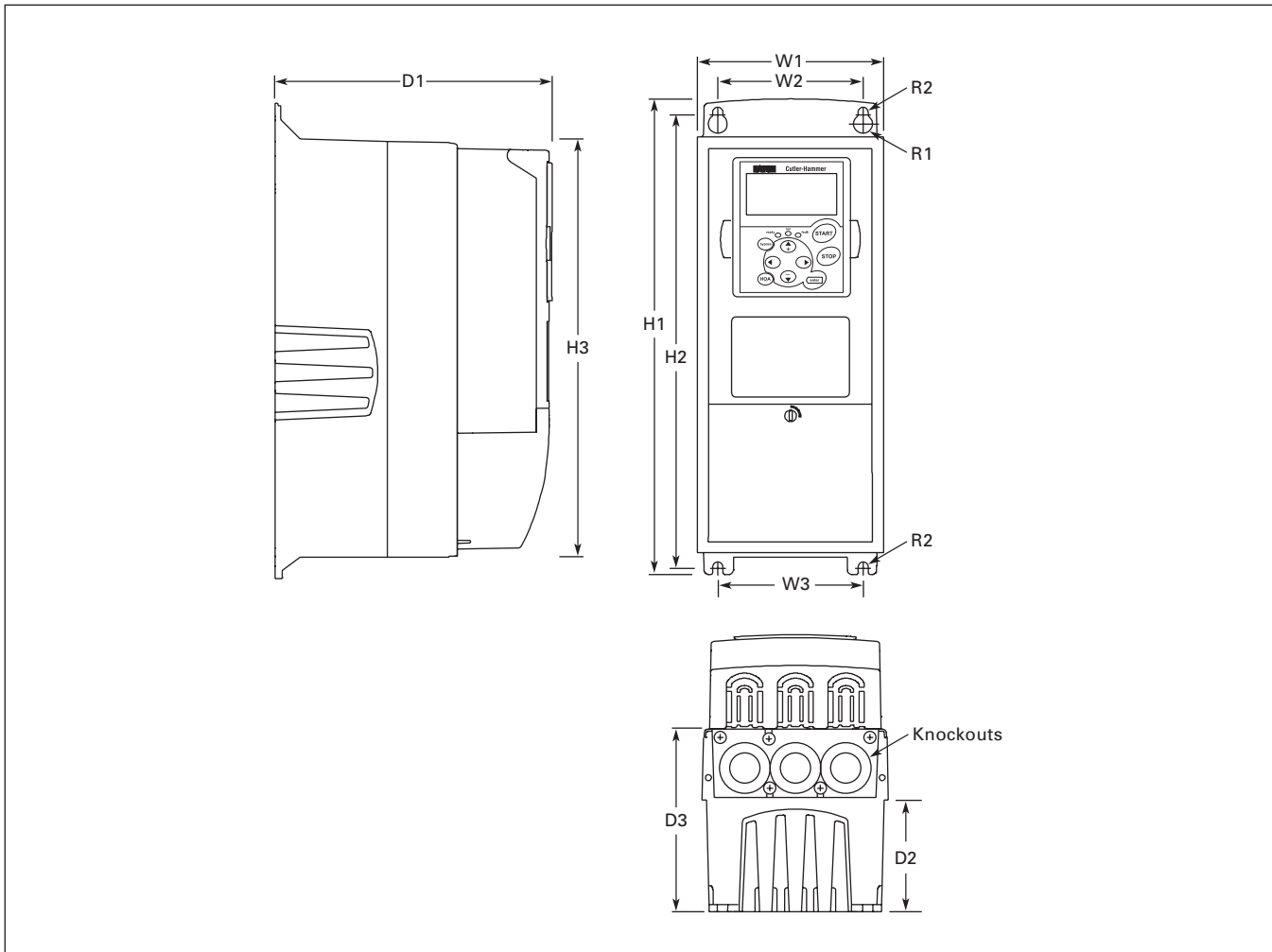


Figure A-7: NEMA Type 1 and NEMA Type 12 HVX9000 Drive Dimensions, FR4, FR5 and FR6

Table A-5: HVX9000 Drive Dimensions

Frame Size	Voltage	hp (I _L)	Approximate Dimensions in Inches (mm)										Weight Lbs. (kg)	Knockouts @ Inches (mm) N1 (O.D.)	
			H1	H2	H3	D1	D2	D3	W1	W2	W3	R1 dia.			R2 dia.
FR4	230V	1 – 3	12.9	12.3	11.5	7.5	3.0	5.0	5.0	3.9	—	.5	.3	11.0	3 @ 1.1
	480V	1-1/2 – 7-1/2	(327)	(313)	(292)	(190)	(77)	(126)	(128)	(100)		(13)	(7)	(5)	(28)
FR5	230V	5 – 10	16.5	16.0	15.3	8.4	3.9	5.8	5.6	3.9	—	.5	.3	17.9	2 @ 1.5
	480V	10 – 20	(419)	(406)	(389)	(214)	(100)	(148)	(143)	(100)		(13)	(7)	(8)	1 @ 1.1
FR6	230V	15 – 20	22.0	21.3	20.4	9.3	4.2	6.5	7.6	5.8	—	.6	.4	40.8	3 @ 1.5
	480V	25 – 40	(558)	(541)	(519)	(237)	(105)	(165)	(195)	(148)		(15.5)	(9)	(19)	(37)

August 2006

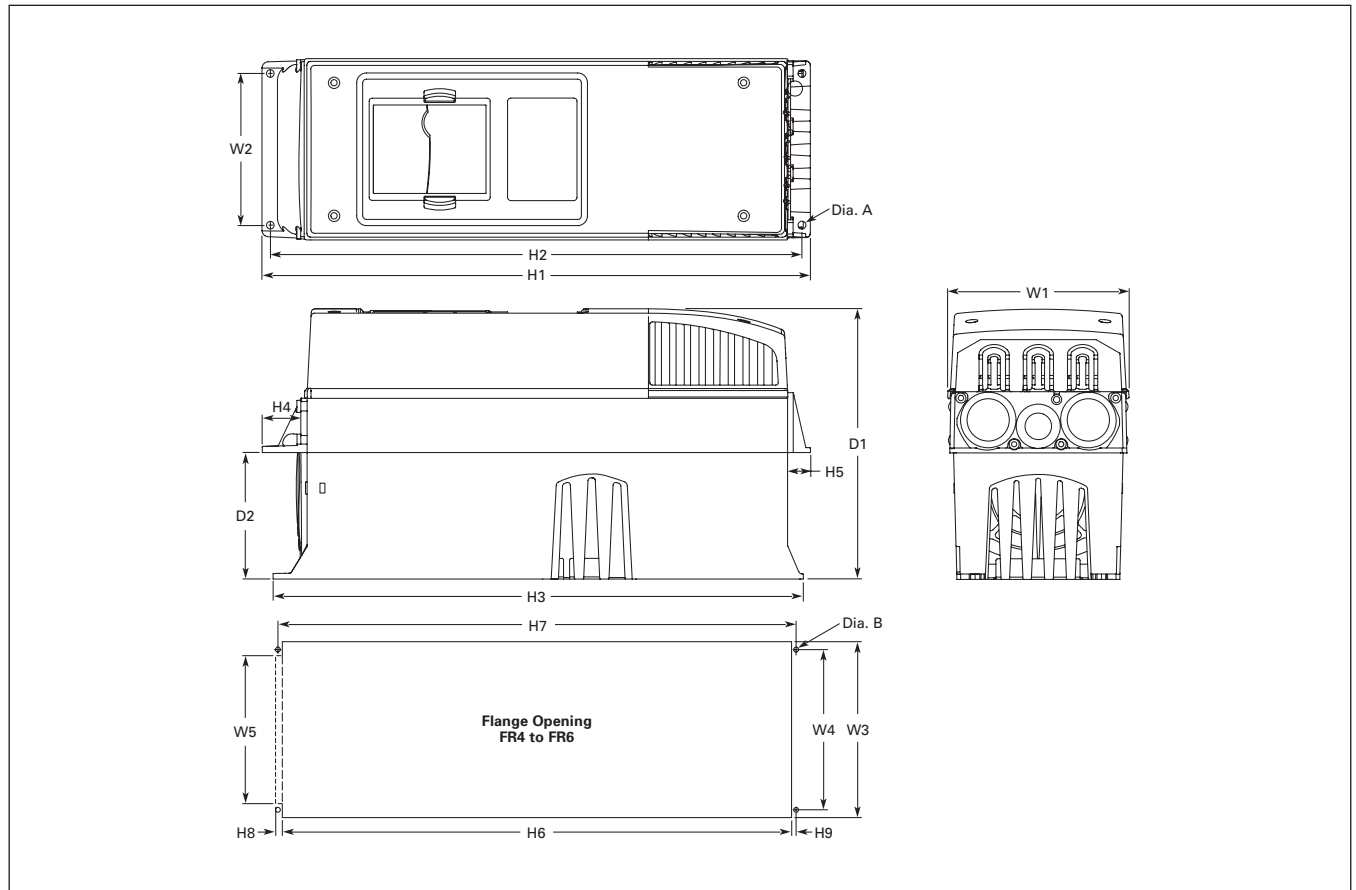


Figure A-8: HVX9000 Dimensions, NEMA Type 1 and NEMA Type 12 with Flange Kit, FR4, FR5 and FR6

Table A-6: Dimensions for HVX9000, FR4, FR5 and FR6 with Flange Kit

Frame Size	Approximate Dimensions in Inches (mm)									
	W1	W2	H1	H2	H3	H4	H5	D1	D2	Dia. A
FR4	5.0 (128)	4.5 (113)	13.3 (337)	12.8 (325)	12.9 (327)	1.2 (30)	.9 (22)	7.5 (190)	3.0 (77)	.3 (7)
FR5	5.6 (143)	4.7 (120)	17.0 (434)	16.5 (420)	16.5 (419)	1.4 (36)	.7 (18)	8.4 (214)	3.9 (100)	.3 (7)
FR6	7.7 (195)	6.7 (170)	22.0 (560)	21.6 (549)	22.0 (558)	1.2 (30)	.8 (20)	9.3 (237)	4.2 (106)	.3 (7)

Table A-7: Dimensions for the Flange Opening, FR4 to FR6

Frame Size	Approximate Dimensions in Inches (mm)								
	W3	W4	W5	H6	H7	H8	H9	Dia. B	
FR4	4.8 (123)	4.5 (113)	—	12.4 (315)	12.8 (325)	—	.2 (5)	.3 (7)	
FR5	5.3 (135)	4.7 (120)	—	16.2 (410)	16.5 (420)	—	.2 (5)	.3 (7)	
FR6	7.3 (185)	6.7 (170)	6.2 (157)	21.2 (539)	21.6 (549)	.3 (7)	.2 (5)	.3 (7)	

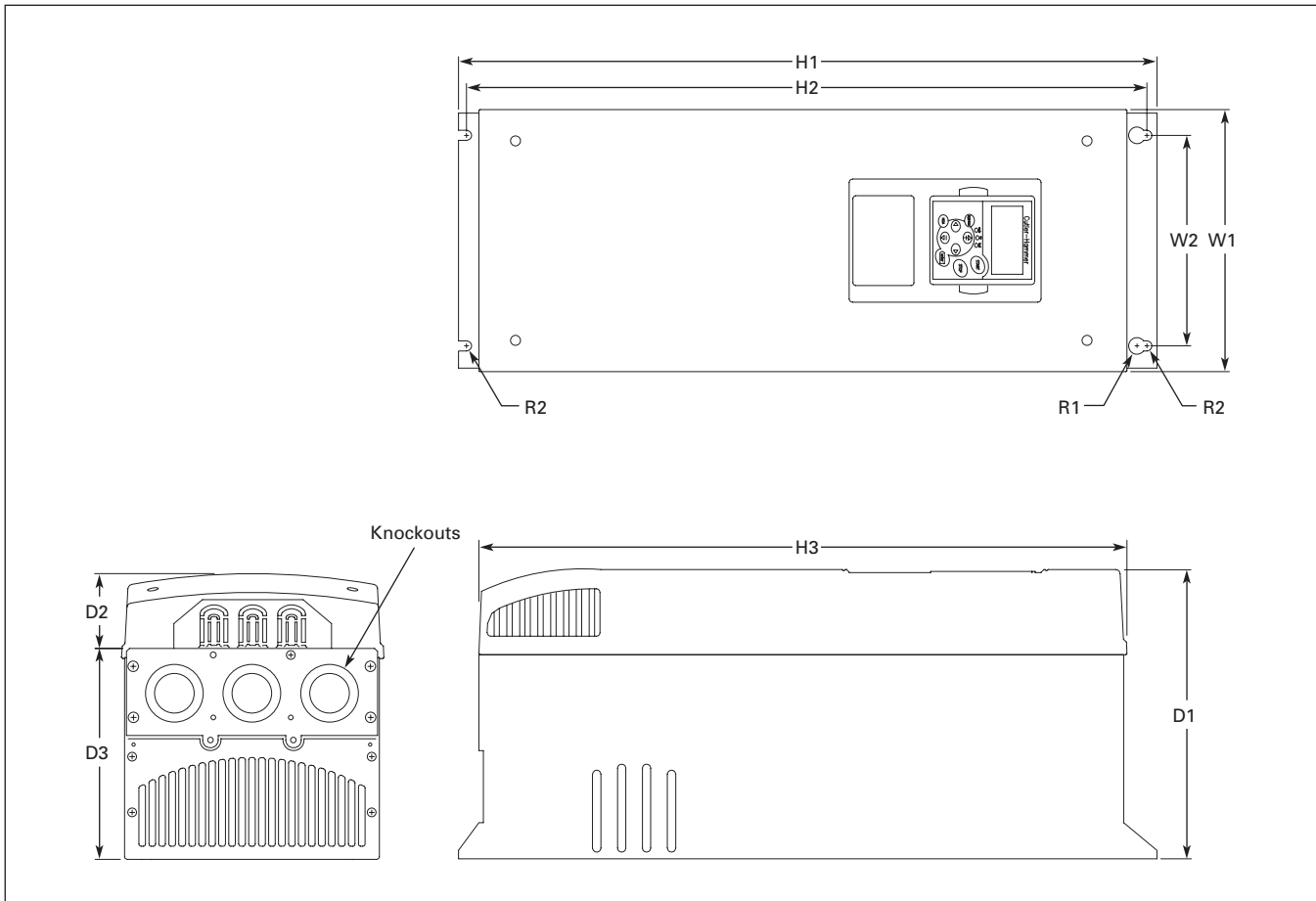


Figure A-9: HVX9000 Dimensions, NEMA Type 1 and NEMA Type 12, FR7

Table A-8: HVX9000 Drive Dimensions, FR7

Frame Size	Voltage	hp (I _L)	Approximate Dimensions in Inches (mm)										Weight Lbs. (kg)	Knockouts @ Inches (mm)
			H1	H2	H3	D1	D2	D3	W1	W2	R1 dia.	R2 dia.		N1 (O.D.)
FR7	230V	25 – 40	24.8	24.2	23.2	10.1	3.0	7.3	9.3	7.5	.7	.4	77.2 (35)	3 @ 1.5 (37)
	480V	50 – 75	(630)	(614)	(590)	(257)	(77)	(184)	(237)	(190)	(18)	(9)		
	575V	40 – 50												

August 2006

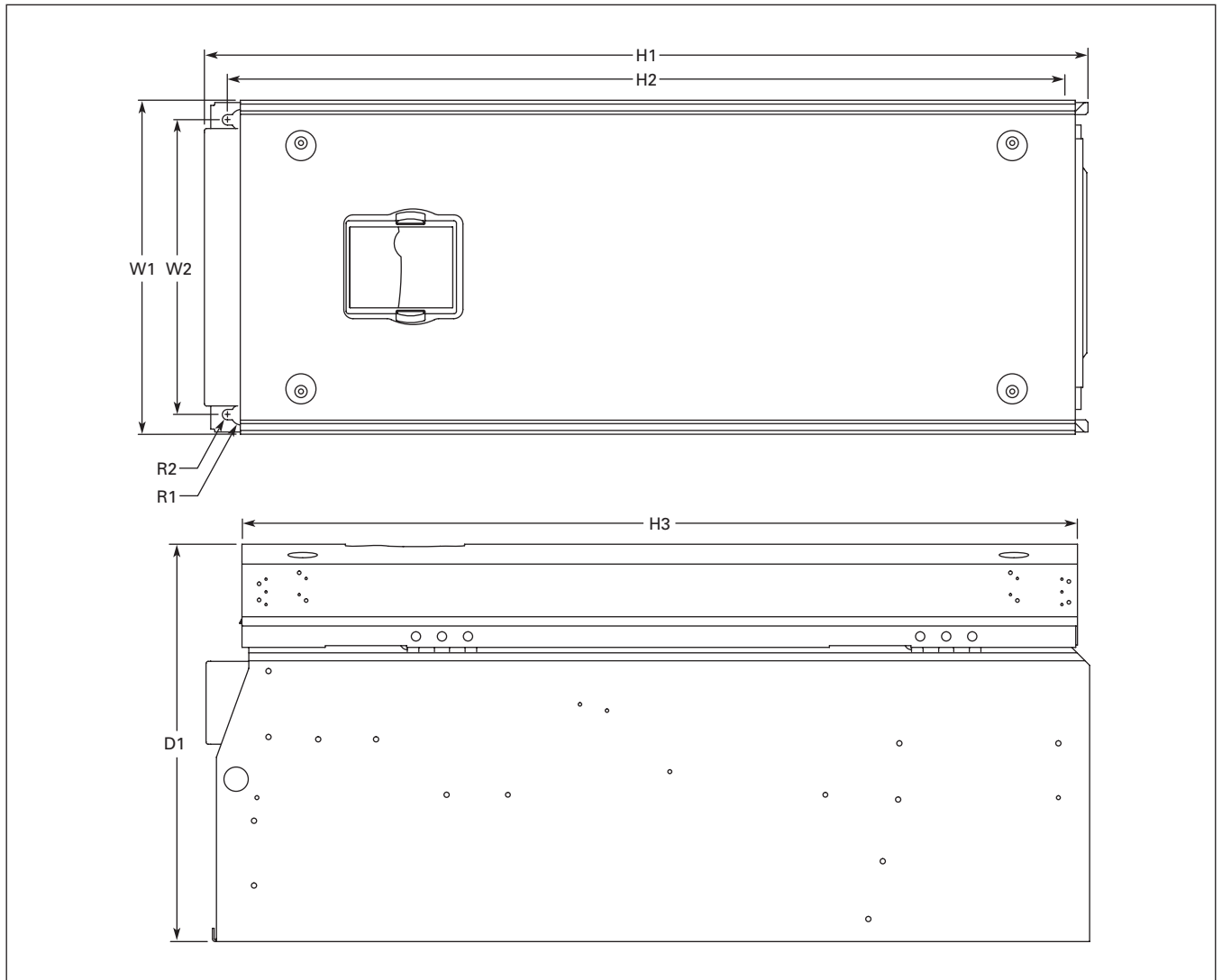


Figure A-10: HVX9000 Dimensions, NEMA Type 1 and NEMA Type 12, FR8

Table A-9: HVX9000 Drive Dimensions, FR8

Frame Size	Voltage	hp (I _L)	Approximate Dimensions in Inches (mm)							
			D1	H1	H2	H3	W1	W2	R1 dia.	R2 dia.
FR8	230V	50 – 75	13.5 (344)	30.1 (764)	28.8 (732)	28.4 (721)	11.5 (291)	10 (255)	.7 (18)	.4 (9)
	480V	100 – 150								
	575V	60 – 100								

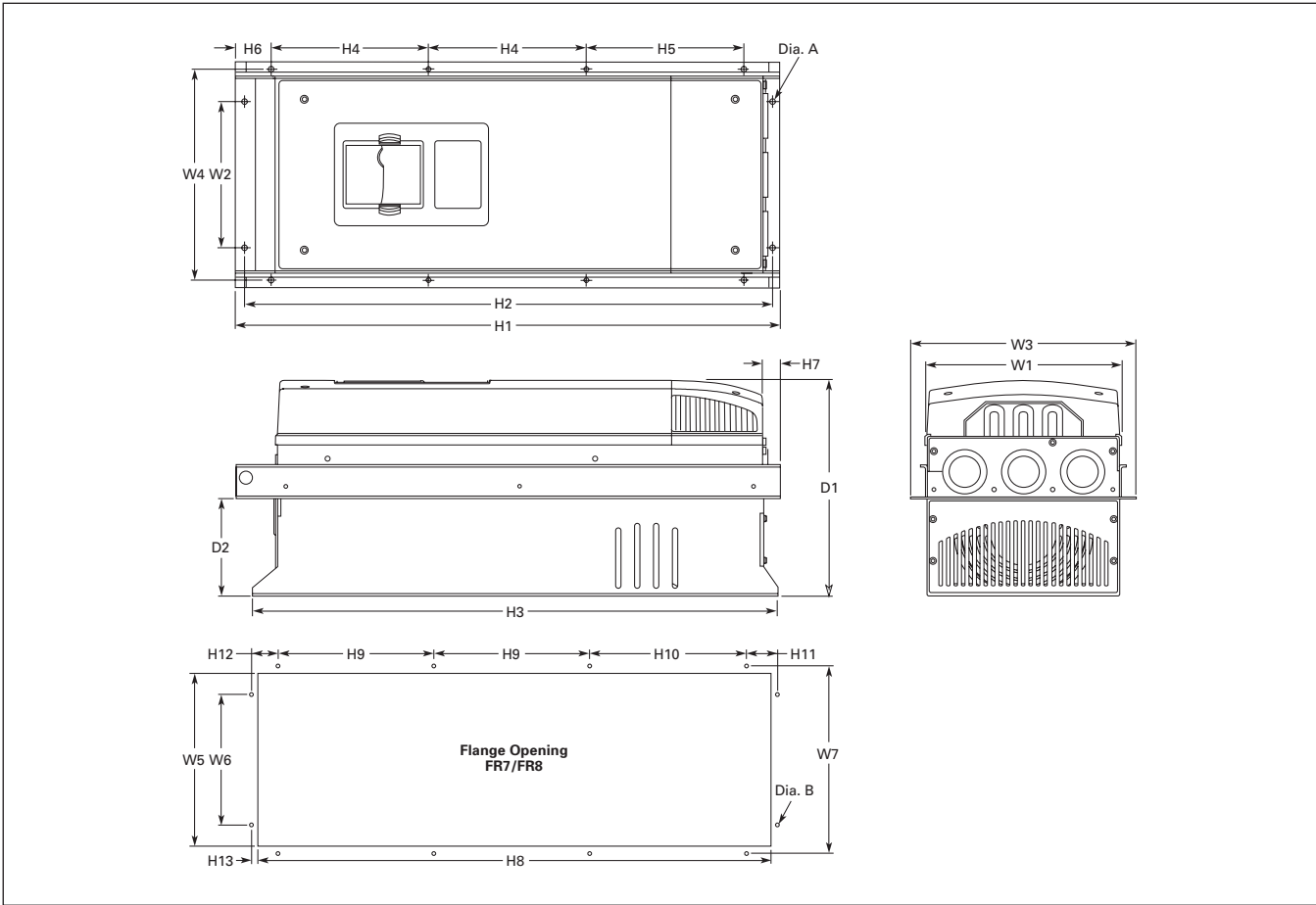


Figure A-11: HVX9000 Dimensions, NEMA Type 1 and NEMA Type 12, with Flange Kit, FR7 and FR8

Table A-10: Dimensions for HVX9000, FR7 and FR8 with Flange Kit

Frame Size	Approximate Dimensions in Inches (mm)													
	W1	W2	W3	W4	H1	H2	H3	H4	H5	H6	H7	D1	D2	Dia. A
FR7	9.3 (237)	6.8 (175)	10.6 (270)	10.0 (253)	25.6 (652)	24.8 (632)	24.8 (630)	7.4 (189)	7.4 (189)	.9 (23)	.8 (20)	10.1 (257)	4.6 (117)	.3 (6)
FR8	11.2 (285)	—	14.0 (355)	13.0 (330)	32.8 (832)	—	29.3 (745)	10.2 (258)	10.4 (265)	1.7 (43)	2.2 (57)	13.5 (344)	4.3 (110)	.4 (9)

Table A-11: Dimensions for the Flange Opening, FR7/FR8

Frame Size	Approximate Dimensions in Inches (mm)									
	W5	W6	W7	H8	H9	H10	H11	H12	H13	Dia. B
FR7	9.2 (233)	6.9 (175)	10.0 (253)	24.4 (619)	7.4 (189)	7.4 (189)	1.4 (35)	1.3 (32)	.3 (7)	.3 (6)
FR8	11.9 (301)	—	13.0 (330)	31.9 (810)	10.2 (258)	10.4 (265)	—	—	—	.4 (9)

August 2006

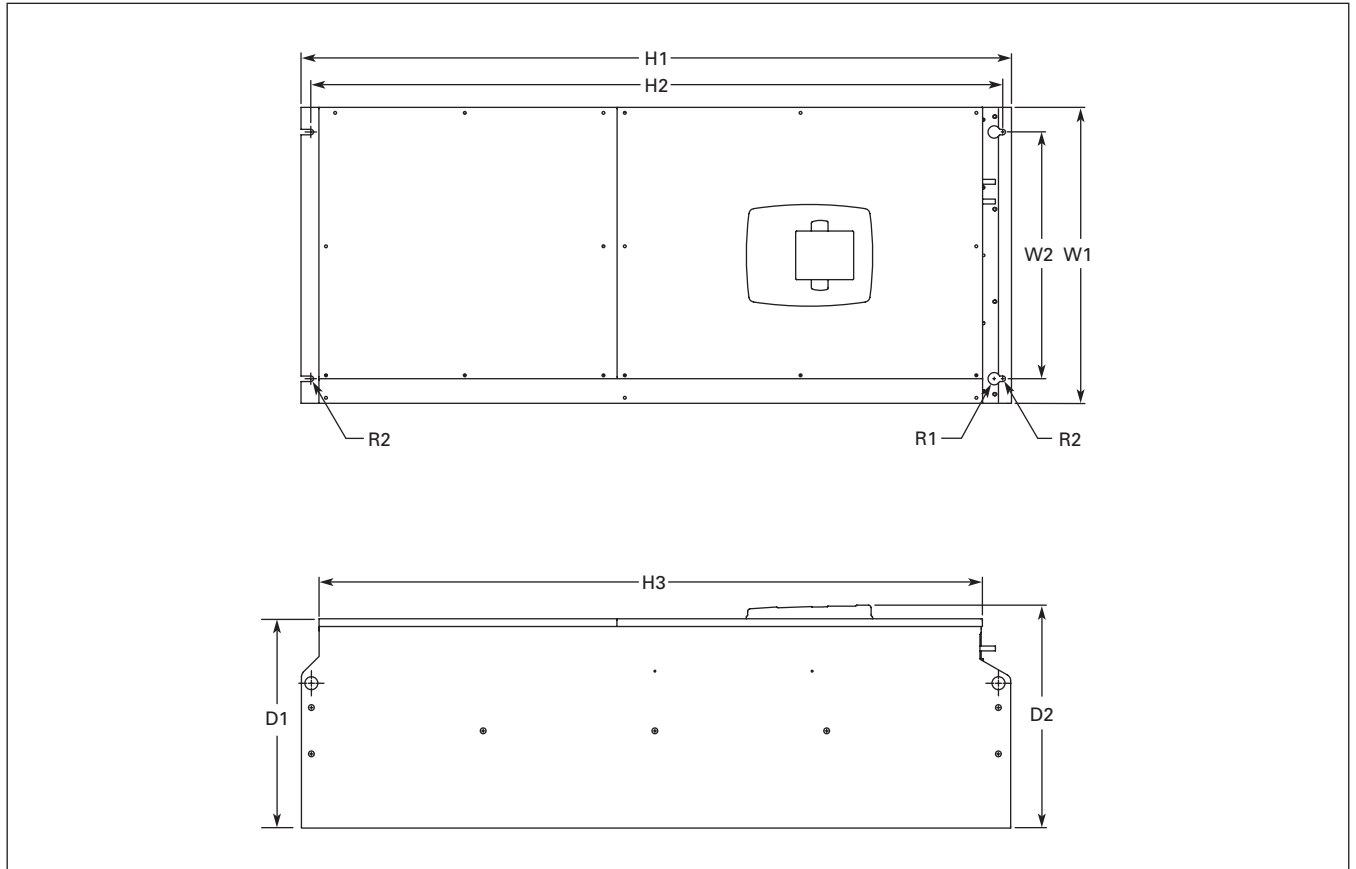


Figure A-12: HVX9000 Dimensions, NEMA Type 1 and NEMA Type 12, FR9

Table A-12: HVX9000 Drive Dimensions, FR9

Frame Size	Voltage	hp (I _L)	Approximate Dimensions in Inches (mm)								
			H1	H2	H3	D1	D2	W1	W2	R1 dia.	R2 dia.
FR9	480	200 – 250	45.3	44.2	42.4	13.4	14.3	18.9	15.7	.8	.4
	575	125 – 200	(1152)	(1122)	(1076)	(340)	(362)	(480)	(400)	(20)	(9)

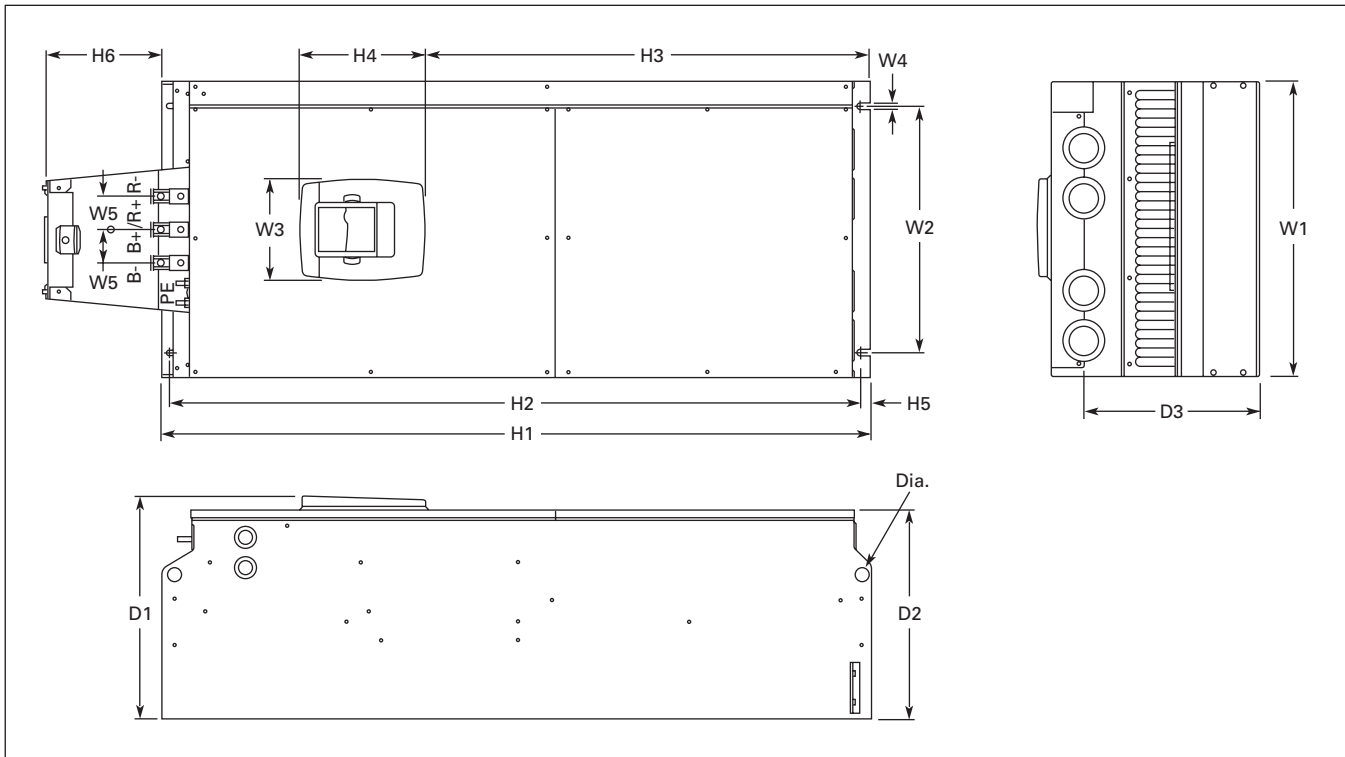


Figure A-13: HVX9000 Dimensions, NEMA Type 1 and NEMA Type 12 FR9

Table A-13: Dimensions for HVX9000, FR9

Frame Size	Approximate Dimensions in Inches (mm)														
	W1	W2	W3	W4	W5	H1	H2	H3	H4	H5	H6 ①	D1	D2	D3	Dia.
FR9	18.9 (480)	15.7 (400)	6.5 (165)	.4 (9)	2.1 (54)	45.3 (1152)	44.1 (1120)	28.3 (721)	8.0 (205)	.6 (16)	7.4 (188)	14.2 (361.5)	13.4 (340)	11.2 (285)	.8 (21)

① Brake resistor terminal box (H6) included when brake chopper ordered.

August 2006

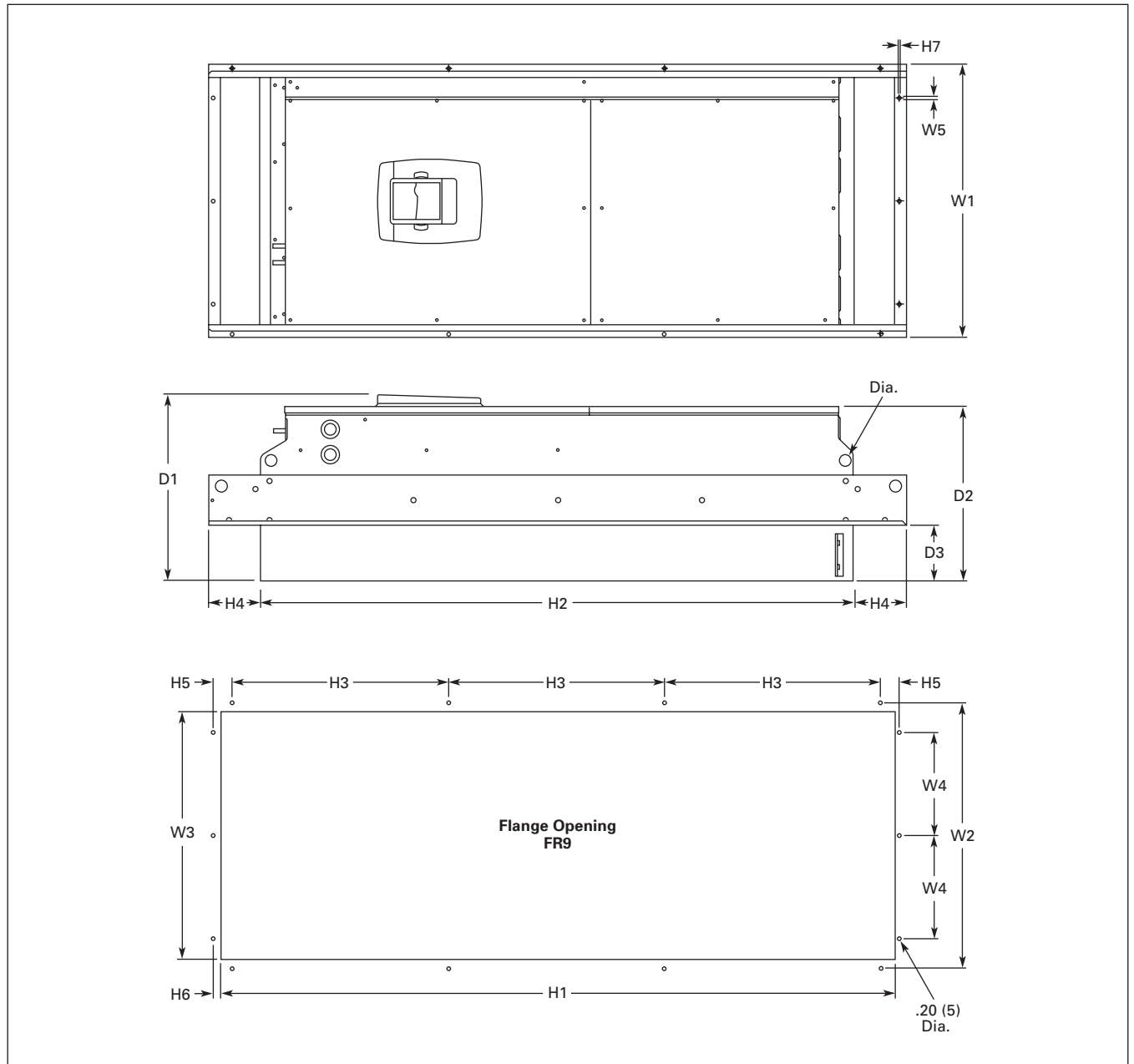


Figure A-14: HVX9000 Dimensions, NEMA Type 1 and NEMA Type 12 FR9 with Flange Kit

Table A-14: Dimensions for HVX9000, FR9 with Flange Kit

Frame Size	Approximate Dimensions in Inches (mm)															
	W1	W2	W3	W4	W5	H1	H2	H3	H4	H5	H6	H7	D1	D2	D3	Dia.
FR9	20.9 (530)	20.0 (510)	19.1 (485)	7.9 (200)	.2 (5.5)	51.7 (1312)	45.3 (1150)	16.5 (420)	3.9 (100)	1.4 (35)	.4 (9)	.1 (2)	24.9 (362)	13.4 (340)	4.3 (109)	.8 (21)

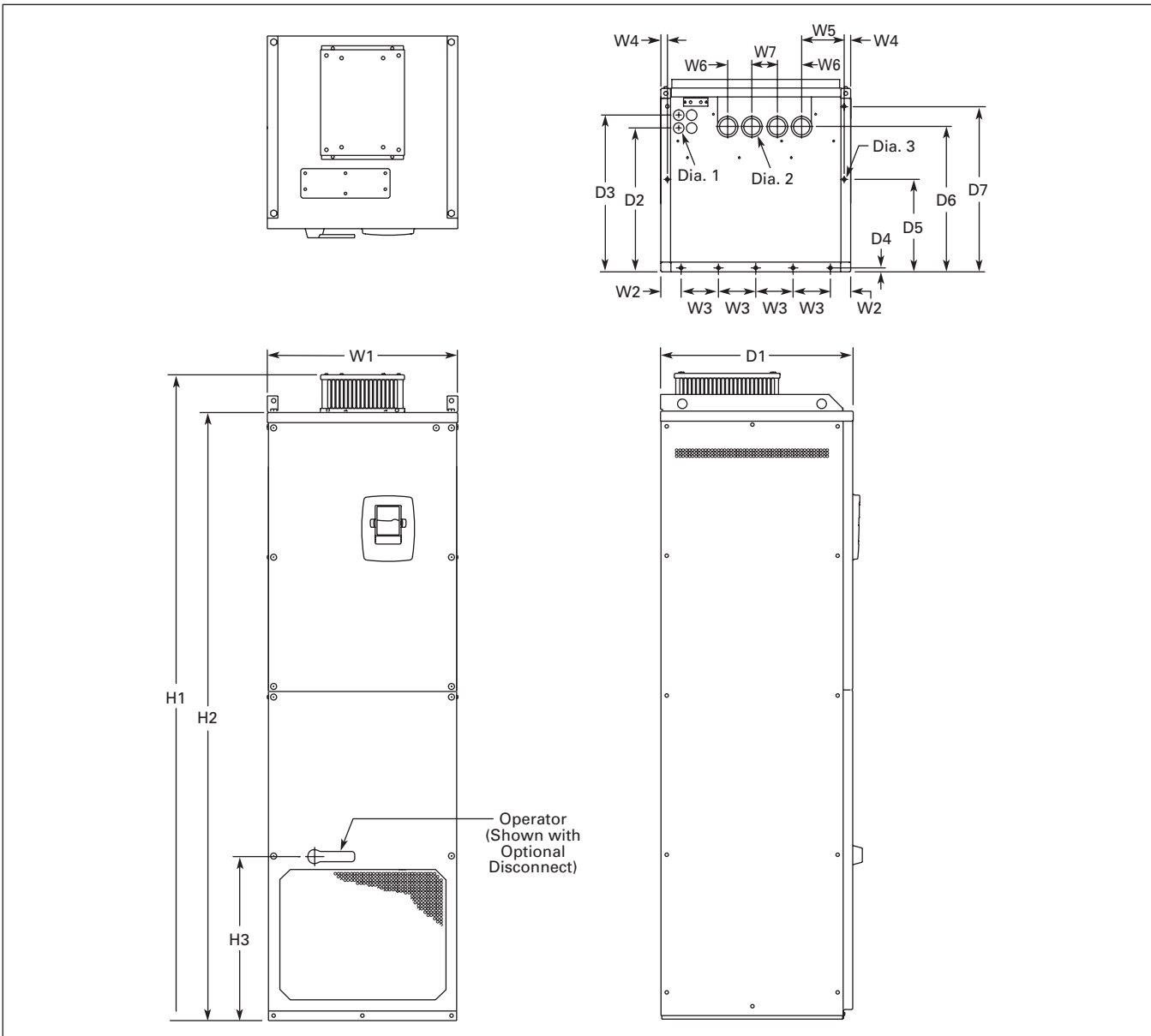


Figure A-15: HVX9000 Dimensions, NEMA Type 1 and NEMA Type 12 FR10 Freestanding Drive

Table A-15: Dimensions for HVX9000, FR10 Freestanding Drive

Frame Size	Approximate Dimensions in Inches (mm)										Weight lbs. (kg)
	W1	W2	W3	W4	W5	W6	W7	H1	H2	H3	
FR10	23.43 (595)	2.46 (62.5)	4.53 (115)	.79 (20)	5.95 (151)	2.95 (75)	3.11 (79)	79.45 (2018)	74.80 (1900)	20.18 (512.5)	857 (389)

Table A-15: Dimensions for HVX9000, FR10 Freestanding Drive, continued

Frame Size	Approximate Dimensions in Inches (mm)									
	D1	D2	D3	D4	D5	D6	D7	Dia. 1	Dia. 2	Dia. 3
FR10	23.70 (602)	17.44 (443)	19.02 (483)	.47 (12)	11.22 (285)	17.60 (447)	20.08 (510)	.83 (21)	1.89 (48)	.43 (11)

August 2006

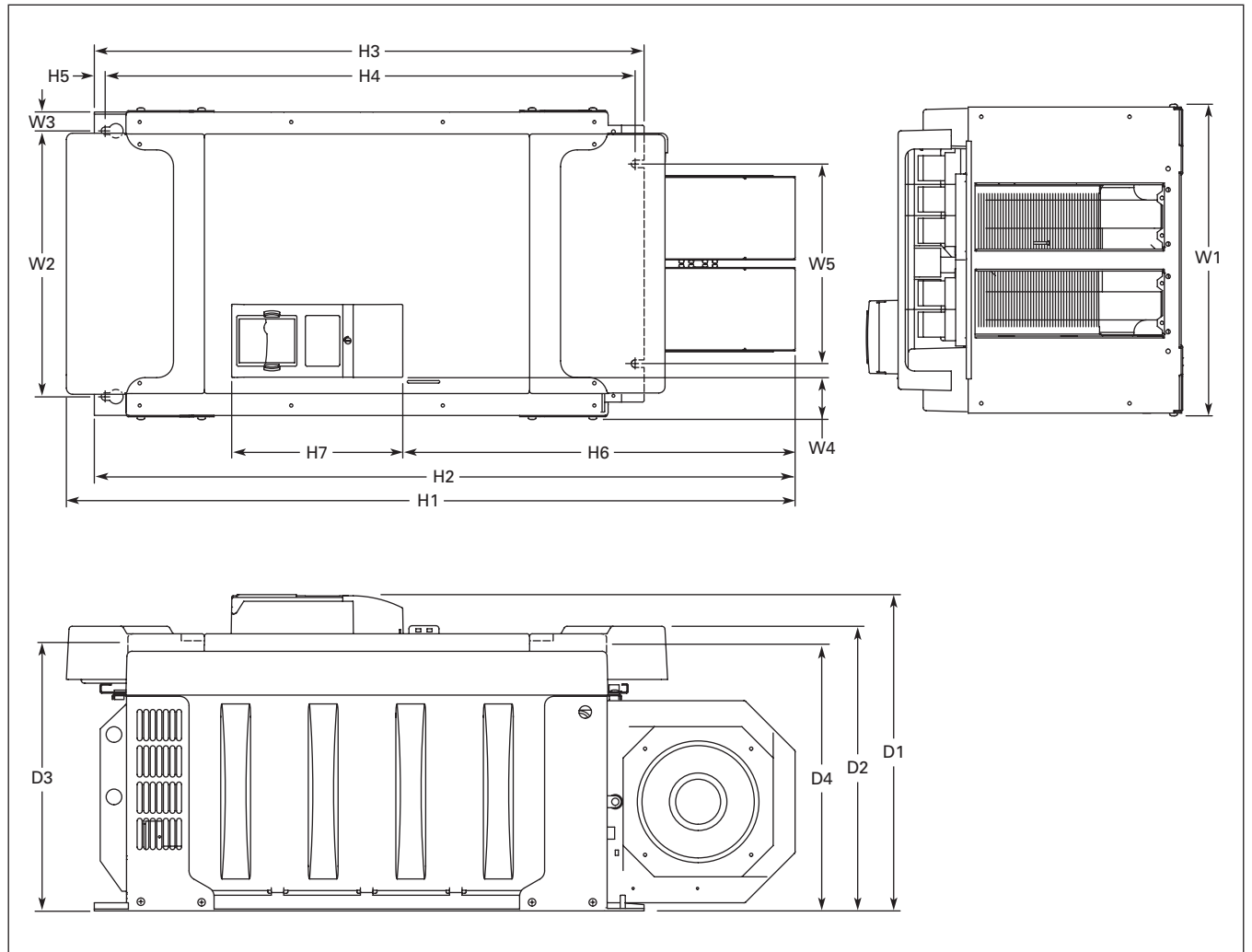


Figure A-16: HVX9000 Dimensions, FR10 Open Chassis

Table A-16: Dimensions for HVX9000, FR10 Open Chassis

Frame Size	Voltage	hp (I _L)	Approximate Dimensions in Inches (mm)							
			W1	W3	W3	W4	W5	H1	H2	H3
FR10	480V	300 – 400	19.7 (500)	16.7 (425)	1.2 (30)	2.6 (67)	12.8 (325)	45.9 (1165)	44.1 (1121)	34.6 (879)

Table A-16: Dimensions for HVX9000, FR10 Open Chassis, continued

Frame Size	Voltage	hp (I _L)	Approximate Dimensions in Inches (mm)							
			H4	H5	H6	H7	D1	D2	D3	D4
FR10	480V	300 – 400	33.5 (850)	.7 (17)	24.7 (627)	10.8 (275)	19.9 (506)	17.9 (455)	16.7 (423)	16.6 (421)

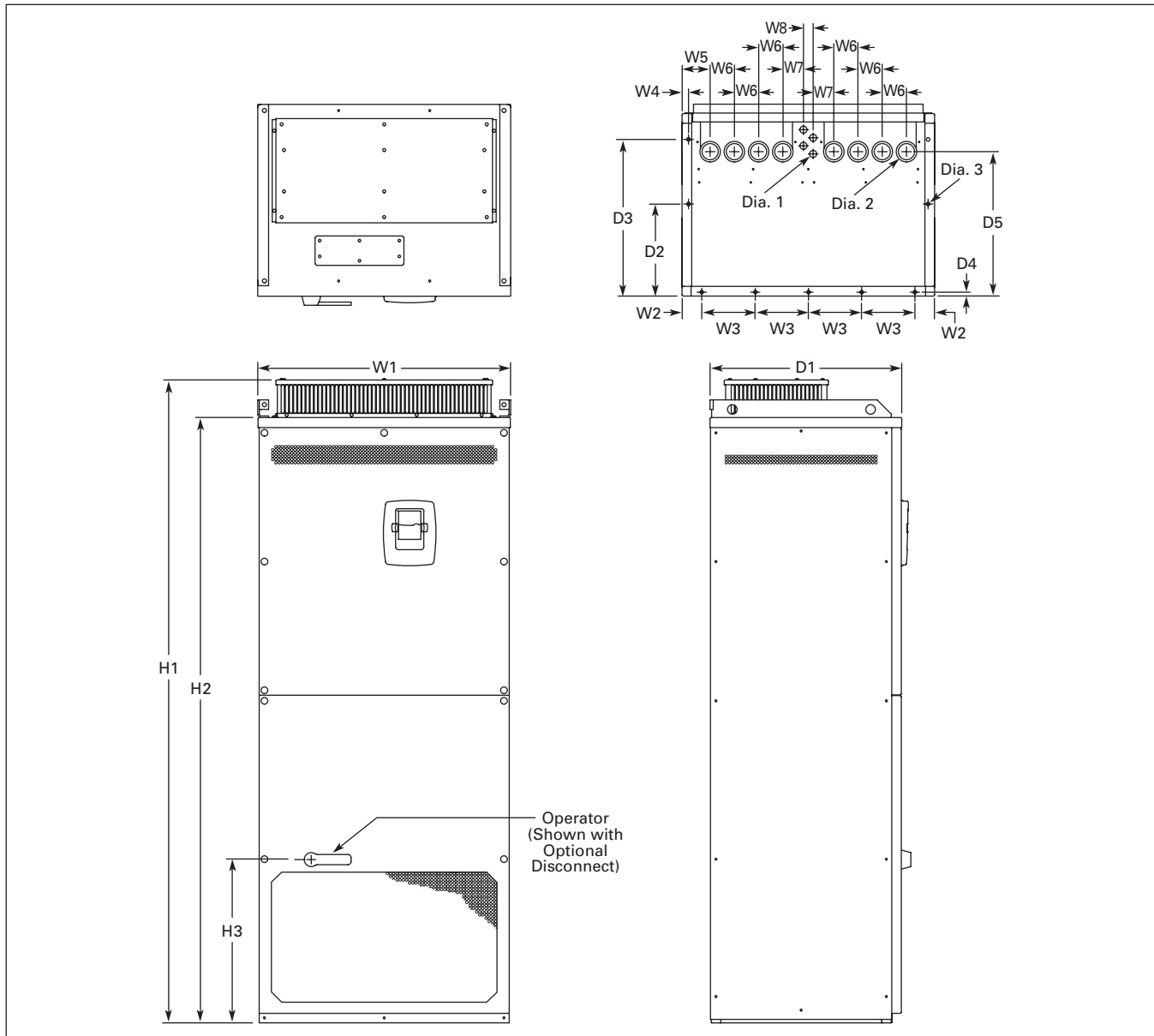


Figure A-17: HVX9000 Dimensions, NEMA Type 1 FR11 Freestanding Drive

Table A-17: Dimensions for HVX9000, NEMA Type 1 FR11 Freestanding Drive

Frame Size	Voltage	hp (I _L)	Approximate Dimensions in Inches (mm)										
			W1	W2	W3	W4	W5	W6	W7	W8	H1	H2	H3
FR11	480V	500 – 600	31.26 (794)	2.40 (61)	6.50 (165)	.79 (20)	3.43 (87)	2.95 (75)	2.52 (64)	1.18 (30)	79.45 (2018)	74.80 (1900)	20.18 (512.5)

Table A-17: Dimensions for HVX9000, NEMA Type 1 FR11 Freestanding Drive, continued

Frame Size	Voltage	hp (I _L)	Approximate Dimensions in Inches (mm)								Weight Lbs. (kg)
			D1	D2	D3	D4	D5	Dia. 1	Dia. 2	Dia. 3	
FR11	480V	500 – 600	23.70 (602)	11.22 (285)	19.09 (485)	.47 (12)	17.60 (447)	.83 (21)	1.89 (48)	.35 x .43 (9 x 11)	526 (239)

August 2006

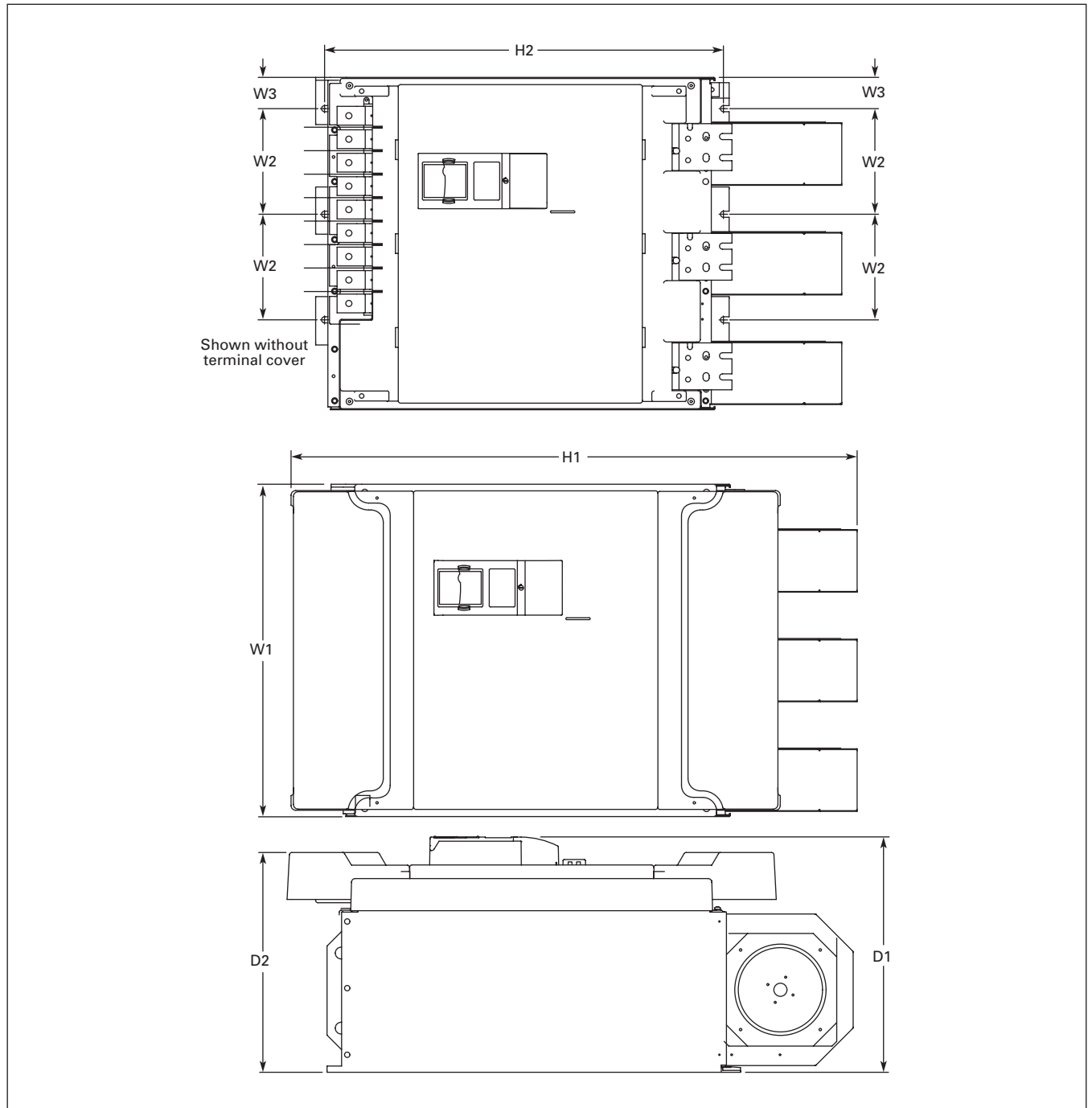


Figure A-18: HVX9000 Dimensions, FR11 Open Chassis

Table A-18: Dimensions for HVX9000, FR11 Open Chassis

Frame Size	Voltage	hp (I _L)	Approximate Dimensions in Inches (mm)							Weight Lbs. (kg)
			W1	W2	W3	H1	H2	D1	D2	
FR11	480V	500 – 600	27.9 (709)	8.6 (225)	2.6 (67)	45.5 (1155)	33.5 (850)	19.8 (503)	18.4 (468)	833 (378)

EMC Capability

General

For products used within the European Community (EC), the Electro Magnetic Compatibility (EMC) directive states that the electrical equipment must not disturb the environment and must be immune to other Electro Magnetic Disturbances in the environment.

The design intent was to develop a family of drives, which is user friendly and cost effective, while fulfilling the user's needs. EMC compliance was a major consideration from the outset of the design.

The HVX9000 derive series is targeted at the world market. To ensure maximum flexibility, yet meet the EMC needs of different regions, all drives meet the highest immunity levels, while emission levels meet the requirements noted in the following section.

EMC Classification

The HVX9000 drive series are EMC classification H capable.

Class H:

HVX9000 drives have been designed to fulfill the requirements of the product standard EN 61800-3_A11 for the 1st environment restricted distribution and the 2nd environment.

The emission levels correspond to the requirements of EN 61000-6-4.

HVX9000 series drives fulfill all applicable EMC immunity requirements (standards EN 61000-6-1, EN 61000-6-2 and EN 61800-3+A11).

Declaration of Conformity

The Manufacturer's Declarations of Conformity assuring the compliance of the HVX9000 drives with the European Community (EC) EMC-directives is available upon request.

August 2006

Warranty and Liability Information

Eaton Electrical Inc. warrants the product delivered in the Cutler-Hammer shipping package to be free from defects in material and workmanship, under normal use and service, for twenty four (24) months from date of manufacturing. Products that fail during this period will be repaired or replaced at Eaton's discretion, with the same or a functionally equivalent product, provided the original purchaser (A) returns the failed product, and (B) provides proof of original date of purchase. This warranty does not apply, in the judgment of Eaton, to damage caused during shipment, handling, storage, or accidental misuse. The original purchaser of the product must obtain a Cutler-Hammer Return Material Authorization (RMA) number prior to returning any defective product. (When purchased through an Authorized Distributor, the Distributor should supply an RMA number to their customer.)

The maximum liability of this warranty is limited to the purchase price of the product. In no event, regardless of cause, shall Eaton Electrical Inc. be liable (a) for penalties or penalty clauses of any description, or (b) for certification not otherwise specifically provided herein and/or indemnification of purchaser or others for costs, damages or expenses, each arising out of or related to the product or services of any order or (c) for any damages resulting from loss of profits, use of products or for any incidental indirect or consequential damages, even if advised of the possibility of such damages.

August 2006

Appendix B — Parameter Tables

Table B-1: Parameter Group G1.1: Basic

Code	Parameter	Range	Step	Default	ID #	Description	Page
P1.1.1	Min Frequency	0.00 – Max Frequency	0.01 Hz	12.00	101	Minimum frequency setting	8-1
P1.1.2	Max Frequency	Min Frequency – 320.00	0.01 Hz	60.00	102	Maximum frequency setting	8-1
P1.1.3	Accel Time 1	0.1 – 3000.0	0.1 s	60.0	103	Time from f_{min} (Minimum Frequency) to f_{max} (Maximum Frequency)	8-1
V1.1.4	Accel Time 1, Read Only	0.1 – 3000.0	0.1 s	60.0	1690	Time from f_{min} (Minimum Frequency) to f_{max} (Maximum Frequency)	8-1
P1.1.5	Decel Time 1	0.1 – 3000.0	0.1 s	60.0	104	Time from f_{max} (Maximum Frequency) to f_{min} (Minimum Frequency)	8-1
V1.1.6	Decel Time 1, Read Only	0.1 – 3000.0	0.1 s	60.0	1691	Time from f_{max} (Maximum Frequency) to f_{min} (Minimum Frequency)	8-1
P1.1.7	Motor Nom Currnt ^①	$0.3 \times I_{nHVXL} - 2.0 \times I_{nHVXL}$	0.1 A	I_{nHVXL}	113	Motor nominal nameplate full load current	8-1
P1.1.8	Motor Nom Voltg ^①	180 – 690	1 V	230 or 460 (Drive Rating)	110	Motor nominal nameplate base voltage	8-2
P1.1.9	Motor Nom Freq ^①	30.00 – 320.00	1 Hz	60.00	111	Motor nominal nameplate base frequency	8-2
P1.1.10	Motor Nom Speed ^①	300 – 20,000	1 rpm	1760	112	Motor nominal nameplate base speed	8-2
P1.1.11	MotorPowerFactor ^①	0.30 – 1.00	0.1 A	0.85	120	Motor nominal nameplate full load power factor	8-2
P1.1.12	Current Limit	$0.1 \times I_L - 2.5 \times I_L$ InHVX Units: Amperes	0.01	I_{nHVX}	107	Output current limit level of the HVX9000	8-2
P1.1.14	HOA Control Src ^①	0 – 2	1	0	1530	Hand-Off-Auto control source 0 Control from keypad 1 Control from I/O terminals 2 Control from communication bus	8-2
P1.1.15	Start Src Hand ^①	0 – 3	1	0	1531	Start source for Hand operation 0 Control from keypad 1 BAS 2 3-wire Start/Stop 3 Keypad/Panel Damper	8-2
P1.1.16	Ref Source Hand ^①	0 – 7	1	4	201	Speed reference source for Hand operation 0 Analog input AI1 1 Analog input AI2 2 Analog input AI3 ^② 3 Analog input AI4 ^② 4 Keypad 5 Communication Bus 6 Motor potentiometer 7 PID-Controller	8-3
P1.1.17	Start Srce Auto ^①	0 – 3	1	1	1532	Start source for Auto operation 0 Control from keypad 1 BAS 2 3-wire Start/Stop 3 Communication Bus	8-3

^① Drive must be stopped to edit these parameters.

^② Not operational at this time.

Table B-1: Parameter Group G1.1: Basic, continued

Code	Parameter	Range	Step	Default	ID #	Description	Page
P1.1.18	Ref Source Auto ^①	0 – 7	1	0	202	Speed reference source for Hand operation 0 Analog input AI1 1 Analog input AI2 2 Analog input AI3 ^① 3 Analog input AI4 ^① 4 Keypad 5 Communication Bus 6 Motor potentiometer 7 PID-Controller	8-3
P1.1.19	PM Setback Pct ^①	0.0 – 100.0	0.1%	30.0	1640	Frequency setting for PM setback operation	8-3
P1.1.20	Smoke Purge ^①	0.0 – 100.0	0.1%	60.0	1641	Speed setting for smoke range.	8-3

^① Drive must be stopped to edit these parameters.

Table B-2: Parameter Group G1.2: Input Signals

Code	Parameter	Range	Step	Default	ID #	Description	Page
P1.2.1	DIN1 Function ^②	0 – 3	1	0 (Start)	1535	0 Start – standard start 1 Interlocked Start 2 Interlock Time Start 3 Delay Start	8-4
P1.2.2	Intlk Timeout ^②	1 – 32,500	1 s	5 s	1561	Used when DIN1 function = 2	8-4
P1.2.3	Delay Time ^②	1 – 32,500	1 s	5 s	1580	Used when DIN1 function = 3	8-4
P1.2.4	DIN2 Function ^②	0 – 15	1	1 (Ext fault close)	1700	0 Enable Bypass 1 Ext Fault Close 2 Bypass Overload Fault 3 Run enable/External interlock 4 Accel/decel time selection 5 Hand/Auto Select 6 PID Control 7 Motor potentiometer down 8 PID Reference 2 Select 9 PM Setback 10 Fault reset 11 Accel/decel prohibited 12 HOA On/Off 13 Speed Select 3 14 Fire Mode 15 Fire Mode Reference Select 1/2	8-5
P1.2.5	DIN3 Function ^②	0 – 15	1	10 (Fault Reset)	301	0 Enable Bypass 1 External fault, contact closed 2 External fault, contact open 3 Run enable/External interlock 4 Accel/decel time selection 5 Hand/Auto Select 6 Motor potentiometer up 7 PID Control 8 PID Reference 2 Select 9 Speed Select 1 10 Fault reset 11 Accel/decel prohibited 12 DC braking command 13 Smoke Purge 14 Fire Mode 15 Fire Mode Reference Select 1/2	8-6

^② Drive must be stopped to edit these parameters.

August 2006

Table B-2: Parameter Group G1.22: Input Signals, continued

Code	Parameter	Range	Step	Default	ID #	Description	Page
P1.2.6	DIN4 Function ^①	0 – 15	1	4 (Accel/ decel time sel)	1536	0 Enable Bypass 1 External fault, contact closed 2 External fault, contact open 3 Run enable/External interlock 4 Accel/decel time selection 5 Hand/Auto Select 6 PID Control 7 Motor potentiometer down 8 Reverse 9 PM Setback 10 Fault reset 11 Speed Select 2 12 DC braking command 13 HOA ON/OFF 14 Fire Mode 15 Fire Mode Reference Select 1/2	8-7
P1.2.7	DIN5 Function ^①	0 – 15	1	13 (PM Setback)	330	0 Enable Bypass 1 External fault, contact closed 2 External fault, contact open 3 Run enable/External interlock 4 Accel/decel time selection 5 Hand/Auto Select 6 Motor potentiometer up 7 PID Control 8 Reverse 9 DC Brake Comm 10 Fault reset 11 Accel/decel prohibited 12 HOA On/Off 13 PM Setback 14 Fire Mode 15 Fire Mode Reference Select 1 / 2	8-8
P1.2.8	DIN6 Function ^①	0 – 15	1	11 (Speed Select 3)	1537	0 Not Used 1 External fault, contact closed 2 External fault, contact open 3 Run enable/External interlock 4 Accel/decel time selection 5 Hand/Auto Select 6 Motor potentiometer up 7 Motor potentiometer down 8 PID Reference 2 Select 9 PM Setback 10 Fault reset 11 Speed Select 3 12 HOA On/Off 13 Bypass Overload Fault 14 Fire Mode 15 Fire Mode Reference Select 1 / 2	8-9
P1.2.9	AI1 Signal Range ^①	0 – 2	1	0 (0 – 20 mA / 0 – 100%)	320	0 0 – 20 mA 1 4 – 20 mA 2 ID #ized signal range	8-9
P1.2.10	AI1 Custom Min	0.00 – AI1 Custom Minimum	0.01 %	0.00%	321	Used when setting of AI1 Signal Range = 2	8-9
P1.2.11	AI1 Custom Max	AI1 Custom Maximum – 100.00%	0.01 %	100.00%	322	Used when setting of AI1 Signal Range = 2	8-9
P1.2.12	AI1 Signal Inv ^①	0 – 1	1	0 (No Inversion)	323	0 No inversion 1 Signal inverted	8-10
P1.2.13	AI1 Filter Time	0.00 – 10.00	0.01 s	0.10 s	324	0 No filtering	8-10
P1.2.14	AI2 Signal Range ^①	0 – 2	1	1 (4 – 20 mA / 20 – 100%)	325	0 0 – 20 mA 1 4 – 20 mA 2 ID #ized signal range	8-10

^① Drive must be stopped to edit these parameters.

Table B-2: Parameter Group G1.2: Input Signals, continued

Code	Parameter	Range	Step	Default	ID #	Description	Page
P1.2.15	AI2 Custom Min	0.00 – AI2 Custom Max	0.01 %	0.00%	326	Used when setting of AI2 Signal Range = 2	8-10
P1.2.16	AI2 Custom Max	AI2 Custom Min – 100.00%	0.01 %	100.00%	327	Used when setting of AI2 Signal Range = 2	8-10
P1.2.17	AI2 Signal Inv ^①	0 – 1	1	0 (No Inversion)	328	0 No inversion 1 Signal inverted	8-11
P1.2.18	AI2 Filter Time	0.00 – 10.00	0.01 s	0.10 s	329	0.00 No filtering	8-11
P1.2.19	MotorPot Ramp Time	0.1 – 2000.0	0.1 s	10.0 s	331	Ramp rate of motor pot	8-11
P1.2.20	MotorPotMemFreqRef	0 – 2	1	1	367	0 No reset 1 Reset at stop and power down 2 Reset at power down	8-11
P1.2.21	MotorPotMemPIDRef	0 – 2	1	0 (No Reset)	368	0 No reset 1 Reset at stop and power down 2 Reset at power down	8-11
P1.2.22	Ref Scale Min	0.00 – Ref Scale Max	0.01 Hz	60.00	344	Sets the frequency corresponding to the minimum reference signal	8-12
P1.2.23	Ref Scale Max	Ref Scale Min – 320.00	0.01 Hz	60.00	345	Sets the frequency corresponding to the maximum reference signal	8-12
P1.2.24	AI3 Signal Sel ^①	AnIN:0.1 – AnIN:E.10	—	AnIN:0.1	141	Connect the AI3 signal to the analog input	8-12
P1.2.25	AI3 Signal Range ^①	0 – 1	1	1 (4 – 20 mA/20 – 100%)	143	0 0 – 20 mA 1 4 – 20 mA	8-12
P1.2.26	AI3 Signal Inv	0 – 1	1	0 (No Inversion)	151	0 No inversion 1 Signal inverted	8-13
P1.2.27	AI3 Filter Time	0.00 – 10.00	0.01 s	0.10	142	0.00 No filtering	8-13
P1.2.28	AI4 Signal Sel ^①	AnIN:0.1 – AnIN:E.10	—	AnIN:0.1	152	Connect the AI4 signal to the analog input of your choice	8-13
P1.2.29	AI4 Signal Range ^①	0 – 1	1	1 (4 – 20 mA/20 – 100%)	154	0 0 – 20 mA 1 4 – 20 mA	8-13
P1.2.30	AI4 Signal Inv	0 – 1	1	0 (No Inversion)	162	0 No inversion 1 Signal inverted	8-13
P1.2.31	AI4 Filter Time	0.00 – 10.00	0.01 s	0.10	153	0 No filtering	8-13
P1.2.32	INTLK Text DIN2 – INTLK Text DIN6	0 – 9	1	0	1610 – 1614	0 Ext Interlock 1 Run Enable 2 Vibration Cutout 3 High Motor Temperature 4 Freeze Stat Trip 5 Low Pressure 6 High Pressure 7 Low Water 8 Smoke Detect 9 3-Wire Off 10 Damper Interlock 11 Open Safety 12 Seal Leakage 13 Valve Sequence 14 Megger Shutdown	8-14

^① Drive must be stopped to edit these parameters.

August 2006

Table B-3: Parameter Group G1.3: Output Signals

Code	Parameter	Range	Step	Default	ID #	Description	Page
P1.3.1	Analog Out Function	0 – 13	1	1 (Output Frequency)	307	0 Not used 1 Output frequency (0 – f_{max}) 2 Frequency reference (0 – f_{max}) 3 Motor speed (0 – nominal speed) 4 Output current (0 – I_{nMotor}) 5 Motor torque (0 – T_{nMotor}) 6 Motor power (0 – P_{nMotor}) 7 Motor voltage (0 – V_{nMotor}) 8 DC-link voltage (0 – 1000V) 9 PID controller reference value 10 PID controller actual value 1 11 PID controller actual value 2 12 PID controller error value 13 PID controller output	8-15
P1.3.2	Aout Filter Time	0.00 – 10.00	0.01 s	1.00	308	0 No filtering	8-15
P1.3.3	Aout Invert ^①	0 – 1	1	0 (Not Inverted)	309	0 No inversion 1 Signal inverted	8-16
P1.3.4	Aout Minimum	0 – 1	1	0 (0 mA)	310	0 0 mA 1 4 mA	8-16
P1.3.5	Aout Scale	10 – 1000	10.0 %	100	311	100 % No scaling	8-16
P1.3.6	DO1 Function ^①	1 – 26	1	1 (Ready)	312	1 Ready 2 Run 3 Fault 4 Fault inverted 5 HVX9000 overheat warning 6 External fault or warning 7 Reference fault or warning 8 Warning 9 Reversed 10 Bypass Run 11 At speed 12 Motor regulator activated 13 Output frequency limit 1 supervision 14 Output frequency limit 2 supervision 15 Torque limit supervision 16 Reference limit supervision 17 External brake control 18 Control from I/O terminals 19 Drive temp. limit supervision 20 Unrequested rotation direction 21 External brake control inverted 22 Thermistor fault or warning 23 Pass Through Communication 24 Fire mode is active 25 In Auto Control mode 26 In Hand Control mode	8-17
P1.3.7	RO1 Function ^①	1 – 28	1	2 (Run)	313	Same as Digital Output 1 (DO1) Function except 0 Not used 27 Start Delay Relay 28 Run Bypass or Drive	8-18
P1.3.8	R02 Function ^①	1 – 28	1	3 (Fault)	314	Same as Digital Output 1 (DO1) Function except 0 Not used 27 Start delay relay 28 Run Bypass or Drive	8-20
P1.3.9	R03 Content ^①	1 – 28	1	28 (Run Bypass or Drive)	1520	Same as Digital Output 1 (DO1) Function except 0 Not used 23 Fault Reset 27 Start delay relay 28 Run Bypass or Drive	8-21

^① Drive must be stopped to edit these parameters.

Table B-3: Parameter Group G1.3: Output Signals, continued

Code	Parameter	Range	Step	Default	ID #	Description	Page
P1.3.10	R04 Content ^①	1 – 28	1	10 (Bypass Run)	1522	Same as Digital Output 1 (DO1) Function except 0 Not used 23 Fault Reset 27 Start delay relay 28 Run Bypass or Drive	8-22
P1.3.11	R05 Content ^①	1 – 28	1	23 (Fault Reset)	1523	Same as Digital Output 1 (DO1) Function except 0 Not used 23 Fault Reset 27 Start delay relay 28 Run Bypass or Drive	8-22
P1.3.12	R06 Content ^①	1 – 28	1	0 (Not Used)	1626	With optional relay board only. Same as Digital Output 1 (DO1) Function except 0 Not used 23 Fault Reset 27 Start delay relay 28 Run Bypass or Drive	8-22
P1.3.13	R07 Content ^①	1 – 28	1	0 (Not Used)	1633	With optional relay board only. Same as Digital Output 1 (DO1) Function except 0 Not used 23 Fault Reset 27 Start delay relay 28 Run Bypass or Drive	8-23
P1.3.14	R08 Content ^①	1 – 28	1	0 (Not Used)	1645	With optional relay board only. Same as Digital Output 1 (DO1) Function except 0 Not used 23 Fault Reset 27 Start delay relay 28 Run Bypass or Drive	8-23
P1.3.15	Freq Supv Function 1	0 – 2	1	0 (No Supervision)	315	0 No supervision 1 Low limit supervision 2 High limit supervision	8-23
P1.3.16	SpeedSuprValue1 ^①	0.0 – 200.0	0.1%	0.0	1591	Speed value supervised by Frequency Supervision Function 1	8-23
P1.3.17	Freq Supv Function 2	0 – 2	1	0 (No Supervision)	346	0 No supervision 1 Low limit supervision 2 High limit supervision	8-23
P1.3.18	SpeedSuprVal 2 ^①	0.0 – 200.0	0.1%	0.0	1592	Speed value supervised by Frequency Supervision Function 2	8-24
P1.3.19	Torque Supv Func	0 – 2	1	0 (No Supervision)	348	0 No supervision 1 Low limit supervision 2 High limit supervision	8-24
P1.3.20	Torque Supv Val	0.0 – 300.0	0.1 %	100.0%	349	Torque value supervised by Torque Supervision Function	8-24
P1.3.21	Ref SuperV Lim	0 – 2	1	0 (No Supervision)	350	0 No supervision 1 Low limit supervision 2 High limit supervision	8-24
P1.3.22	Ref SuperV Val	0.0 – 100.0	0.1 %	0.0	351	Torque value supervised by Reference Supervision Limit	8-25
P1.3.23	Ext Brake OffDel	0.0 – 100.0	0.1 s	0.5	352	Off delay after Start/Stop toggle	8-25
P1.3.24	Ext Brake OnDel	0.0 – 100.0	0.1 s	0.5	353	On delay after Start/Stop toggle	8-25
P1.3.25	Temp Func Supv	0 – 2	1	0 (No Supervision)	354	0 No supervision 1 Low limit supervision 2 High limit supervision	8-25
P1.3.26	Temp Supv Value	-10 – 75°C	1°C	40°C	455	Temperature value supervised by Temperature Function Supervision	8-26
P1.3.27	A2out Signal	AnOUT:0.1 – AnOUT:E.10	1	AnOUT:0.1	471	Connect the AO2 signal to the analog output of choice	8-26

^① Drive must be stopped to edit these parameters.

August 2006

Table B-3: Parameter Group G1.3: Output Signals, continued

Code	Parameter	Range	Step	Default	ID #	Description	Page
P1.3.28	A2out Function	0 – 13	1	4 (Output Current)	472	0 Not used 1 Output frequency (0 – f_{max}) 2 Frequency reference (0 – f_{max}) 3 Motor speed (0 – nominal speed) 4 Output current (0 – I_{nMotor}) 5 Motor torque (0 – T_{nMotor}) 6 Motor power (0 – P_{nMotor}) 7 Motor voltage (0 – V_{nMotor}) 8 DC-link voltage (0 – 1000V) 9 PID controller reference value 10 PID controller actual value 1 11 PID controller actual value 2 12 PID controller error value 13 PID controller output	8-26
P1.3.29	A2out Filter Time	0.00 – 10.00	0.01 s	1.00	473	0.00 No filtering	8-26
P1.3.30	A2out InVert	0 – 1	1	0 (No Inversion)	474	0 No inversion 1 Signal inverted	8-26
P1.3.31	A2out Minimum	0 – 1	1	1 (4 mA)	475	0 0 mA 1 4 mA	8-26
P1.3.32	A2out Scale	0 – 1000	1 %	100%	476	—	8-27
P1.3.33	A3out Signal	AnOUT:0.1 – AnOUT:E.10	1	AnOUT:0.1	478	Connect the AO3 signal to the analog output of choice	8-27
P1.3.34	A3out Function	0 – 13	1	0 (Not used)	479	0 Not used 1 Output frequency (0 – f_{max}) 2 Frequency reference (0 – f_{max}) 3 Motor speed (0 – nominal speed) 4 Output current (0 – I_{nMotor}) 5 Motor torque (0 – T_{nMotor}) 6 Motor power (0 – P_{nMotor}) 7 Motor voltage (0 – V_{nMotor}) 8 DC-link voltage (0 – 1000V) 9 PID controller reference value 10 PID controller actual value 1 11 PID controller actual value 2 12 PID controller error value 13 PID controller output	8-27
P1.3.35	A3out Filter Time	0.00 – 10.00	0.01 s	1.00	480	0.00 No filtering	8-27
P1.3.36	A3out InVert	0 – 1	1	0 (No Inversion)	481	0 No inversion 1 Signal inverted	8-28
P1.3.37	A3out Minimum	0 – 1	1	0 (0 mA)	482	0 0 mA 1 4 mA	8-28
P1.3.38	A3out Scale	0 – 1000	1 %	100%	483	—	8-28

Table B-4: Parameter Group G1.4: Drive Control

Code	Parameter	Range	Step	Default	ID #	Description	Page
P1.4.1	Ramp 1 Shape ^①	0.0 – 10.0	0.1	0.0	500	0 Linear >0 S-curve accel/decel	8-28
P1.4.2	Ramp 2 Shape ^①	0.0 – 10.0	0.1	0.0	501	0 Linear >0 S-curve accel/decel	8-29
P1.4.3	Accel Time 2	0.1 – 3000.0	0.1 s	10.0	502	Time from f_{min} (Minimum Frequency) to f_{max} (Maximum Frequency)	8-29
P1.4.4	Decel Time 2	0.1 – 3000.0	0.1 s	10.0	503	Time from f_{max} (Maximum Frequency) to f_{min} (Minimum Frequency)	8-29
P1.4.5	Brake Chopper ^①	0 – 3	1	0 (Not Used)	504	0 Brake chopper not used 1 Brake chopper in use (no testing) 2 External brake chopper (no testing) 3 In Ready state (no testing)	8-30
P1.4.6	Start Mode ^①	0 – 1	1	0 (Ramping)	505	0 Ramp 1 Flying start	8-30
P1.4.7	Stop Mode ^①	0 – 3	1	1 (Ramp)	506	0 Coasting 1 Ramp 2 Normal-ramp, Run enable-coasting 3 Normal-coasting, Run enable-ramp	8-30
P1.4.8	DC-Brake Current ^①	$0.15 \times I_{nHVX} - 1.5 \times I_{nHVX}$	0.01	$0.5 \times I_{nHVX}$	507	DC-brake current in amperes	8-30
P1.4.9	Stop DC-BrakeTm ^①	0.000 – 60.000	0.001 s	0.000	508	0 DC-brake not used at stop >0 DC-brake in use at stop for set time	8-31
P1.4.10	Stop DC-BrakeFr ^①	0.10 – 10.00	0.01 Hz	1.50	515	Output frequency DC-brake applied	8-32
P1.4.11	Start DC-BrakeTm ^①	0.000 – 60.000	0.001 s	0.000	516	0 DC-brake not used at start >0 DC-brake in use at start for set time	8-32
P1.4.12	Flux Brake ^①	0 – 1	1	0 (Off)	520	0 Flu braking off 1 Flux braking on	8-32
P1.4.13	FluxBrakeCurrent ^①	$0.1 \times I_{nMotor} - \text{Current Limit}$	$0.1 \times I_{nMotor}$	$0.5 \times I_{nMotor}$	519	Flux brake current in amperes	8-33

^① Drive must be stopped to edit these parameters.

August 2006

Table B-5: Parameter Group G1.5: Skip Frequencies

Code	Parameter	Range	Step	Default	ID #	Description	Page
P1.5.1	SkipF 1 Low Lim	0.00 – Skip Frequency 1 High Limit	0.01 Hz	0.00	509	Skip frequency range 1 low limit	8-33
P1.5.2	Skipf 1 High Lim	Skip Frequency 1 Low Limit – Max Frequency	0.01 Hz	0.00	510	Skip frequency range 1 high limit	8-33
P1.5.3	Skipf 2 Low Lim	0.00 – Skip Frequency 2 High Limit	0.01 Hz	0.00	511	Skip frequency range 2 low limit	8-33
P1.5.4	Skipf 2 High Lim	Skip Frequency 2 Low Limit – Max Frequency	0.01 Hz	0.00	512	Skip frequency range 2 high limit	8-33
P1.5.5	Skipf 3 Low Lim	0 – Skip Frequency 3 High Limit	0.01 Hz	0.00	513	Skip frequency range 3 low limit	8-33
P1.5.6	Skipf 3 High Lim	Skip Frequency 3 Low Limit – Max Frequency	0.01 Hz	0.00	514	Skip frequency range 3 high limit	8-34
P1.5.7	PH Acc/Dec Ramp	0.1 – 10.0	0.1	1.0	518	Ramp time multiplier in skip range	8-34

Table B-6: Parameter Group G1.6: Motor Control

Code	Parameter	Range	Step	Default	ID #	Description	Page
P1.6.1	Motor Ctrl Mode ^①	0 – 1	1	0 (Frequency control)	600	0 Frequency control 1 Speed control	8-35
P1.6.2	V/Hz Optimization ^①	0 – 1	1	0 (None)	109	0 None 1 Automatic torque boost	8-35
P1.6.3	V/Hz Ratio Select ^①	0 – 3	1	0 (Linear)	108	0 Linear 1 Squared 2 Programmable V/f curve 3 Linear with flux optimization	8-36
P1.6.4	Field WeakngPnt ^①	30.00 – 320.00	0.01 Hz	60.00	602	Usually corresponds to Motor Nominal Frequency	8-37
P1.6.5	Voltage at FWP ^①	10.00 – 200.00	0.01 %	100.00	603	Usually corresponds to Motor Nominal Voltage	8-37
P1.6.6	V/Hz Mid Freq ^①	0.00 – Field Weakening Point	0.01 Hz	60.00	604	Midpoint frequency of the curve	8-37
P1.6.7	V/Hz Mid Voltg ^①	0.00 – 100.00	0.01 %	100.00	605	Maximum value is Voltage at Field Weakening Point	8-37
P1.6.8	Zero Freq Voltg ^①	0.00 – 40.00	0.01 %	1.50	606	Voltage at zero frequency	8-38
P1.6.9	Switching Freq	1.0 – 16.0	0.1 kHz	Based on drive Amp size	601	HVX9000 model dependent	8-38
P1.6.10	Overvolt Contr ^①	0 – 1	1	1 (Enabled)	607	0 Overvoltage control disabled 1 Overvoltage control enabled	8-38
P1.6.11	Undervolt Contr ^①	0 – 1	1	1 (Enabled)	608	0 Undervoltage controller disabled 1 Undervoltage controller enabled	8-38

^① Drive must be stopped to edit these parameters.

Table B-7: Parameter Group G1.7: Protections

Code	Parameter	Range	Step	Default	ID #	Description	Page
P1.7.1	4mA Fault Resp ^①	0 – 5	1	0 (No Response)	700	0 No response 1 Warning 2 Warning, 10 s earlier set frequency used as reference 3 Warning, preset frequency 4 mA Fault Frequency used as reference 4 Fault, stop as set by Stop Mode 5 Fault, stop by coasting	8-39
P1.7.2	4mA Fault Freq ^①	0.00 – Maximum Frequency	0.01 Hz	0.00	728	Used for 4 mA fault when 4 mA (Reference) Fault Response = 3	8-39
P1.7.3	AI1 VDC Fault Response ^①	0 – 2	1	0	1784	0 No action 1 Warning 2 Fault	8-39
P1.7.4	External Fault ^①	0 – 3	1	2 (Fault)	701	0 No response 1 Warning 2 Fault, stop as set by Stop Mode 3 Fault, stop by coasting	8-39
P1.7.5	Input Phase Supv ^①	0 – 3	1	0 (No Response)	730	0 No response 1 Warning 2 Fault, stop as set by Stop Mode 3 Fault, stop by coasting	8-39
P1.7.6	UVolt Fault Resp ^①	0 – 1	1	0 (Fault Stored)	727	0 Fault Stored 1 No History	8-39
P1.7.7	OutputPh Superv ^①	0 – 3	1	2 (Fault)	702	0 No response 1 Warning 2 Fault, stop as set by Stop Mode 3 Fault, stop by coasting	8-40
P1.7.8	Ground Fault ^①	0 – 3	1	2 (Fault)	703	0 No response 1 Warning 2 Fault, stop as set by Stop Mode 3 Fault, stop by coasting	8-40
P1.7.9	Motor Therm Prot ^①	0 – 3	1	2 (Fault)	704	0 No response 1 Warning 2 Fault, stop as set by Stop Mode 3 Fault, stop by coasting	8-40
P1.7.10	MotAmbTempFactor	-100.0 – 100.00	0.1 %	0.0	705	0 Motor at same ambient as HVX9000 heatsink <>0 Motor at different ambient than HVX9000 heatsink	8-40
P1.7.11	MTP f0 Current	0.0 – 150.0	0.1 %	40.0	706	Current allowed at zero frequency based on a percentage of Motor Nominal Frequency	8-41
P1.7.12	MTP Motor T	1 – 200	1 m	24 min.	707	Motor thermal time constant - t_6 time	8-42
P1.7.13	Motor Duty Cycle	0 – 100	1 %	100	708	Defines how much of the nominal motor nameplate load is normally applied	8-42
P1.7.14	Stall Protection ^①	0 – 3	1	1 (Warning)	709	0 No response 1 Warning 2 Fault, stop as set by Stop Mode 3 Fault, stop by coasting	8-43
P1.7.15	Stall Current	0.01 – Motor Nominal Current x 2	0.1 A	Motor Nominal Current x 1.3	710	Stall current	8-43
P1.7.16	Stall Time Lim	1.00 – 120.00	0.01 s	15.00	711	Maximum stall time	8-43
P1.7.17	Stall Freq Lim	1.00 – Maximum Frequency	0.01 Hz	25.00	712	Maximum stall frequency	8-43

^① Drive must be stopped to edit these parameters.

August 2006

Table B-7: Parameter Group G1.7: Protections, continued

Code	Parameter	Range	Step	Default	ID #	Description	Page
P1.7.18	Underload Protec ^①	0 – 3	1	0 (No Response)	713	0 No response 1 Warning 2 Fault, stop as set by Stop Mode 3 Fault, stop by coasting	8-44
P1.7.19	UP fnom Torque	10.0 – 150.0	0.1 %	50.0	714	Minimum torque setting as percentage of the nominal motor nameplate torque at Motor Nominal Frequency	8-44
P1.7.20	UP f0 Torque	5.0 – 150.0	0.1 %	10.0	715	Minimum torque setting as percentage of the nominal motor nameplate torque at f0	8-45
P1.7.21	UP Time Limit	2.00 – 600.00	0.01 s	20.00	716	Maximum time allowed for underload	8-45
P1.7.22	ThermistorF Resp ^①	0 – 3	1	0 (No Response)	732	0 No response 1 Warning 2 Fault, stop as set by Stop Mode 3 Fault, stop by coasting	8-45
P1.7.23	Comm Fault Resp ^①	0 – 3	1	2 (Fault)	733	0 No response 1 Warning 2 Fault, stop as set by Stop Mode 3 Fault, stop by coasting	8-45
P1.7.24	SlotComFaultResp ^①	0 – 3	1	2 (Fault)	734	0 No response 1 Warning 2 Fault, stop as set by Stop Mode 3 Fault, stop by coasting	8-46

^① Drive must be stopped to edit these parameters.

Table B-8: Parameter Group G1.8: Auto-Restart Parameters

Code	Parameter	Range	Step	Default	ID #	Description	Page
P1.8.1	Wait Time	0.10 – 10.00	0.01 s	0.50	717	Auto restart delay after fault cause clears	8-46
P1.8.2	Trial Time	0.00 – 60.00	0.01 s	30.00	718	Time limit for max set number of faults before fault is maintained	8-46
P1.8.3	Start Mode	0 – 2	1	0 (Ramping)	719	0 Ramp start 1 Flying start 2 Start per Start Mode	8-47
P1.8.4	Undervolt Tries	0 – 10	1	0	720	0 No auto restart >0 Number of auto restarts allowed during trial time	8-47
P1.8.5	Overvolt Tries	0 – 10	1	0	721	0 No auto restart >0 Number of auto restarts allowed during trial time	8-47
P1.8.6	Overcurr Tries	0 – 3	1	0	722	0 No auto restart >0 Number of auto restarts allowed during trial time	8-47
P1.8.7	4 mA Fault Tries	0 – 10	1	0	723	0 No auto restart >0 Number of auto restarts allowed during trial time	8-47
P1.8.8	MotTempF Tries	0 – 10	1	0	726	0 No auto restart >0 Number of auto restarts allowed during trial time	8-47
P1.8.9	ExtFault Tries	0 – 10	1	0	725	0 No auto restart >0 Number of auto restarts allowed during trial time	8-47

Table B-9: Parameter Group G1.9: Fire Mode

Code	Parameter	Range	Step	Default	ID #	Description	Page
P1.9.1	FireModeFunction ^①	0 – 1	1	0 (Closed Contact)	1501	0 Closed contact initiates fire mode 1 Open contact initiates fire mode	8-48
P1.9.2	FMRefSelFunction ^①	0 – 1	1	0	1502	0 Disabled 1 Enabled	8-48
P1.9.3	FireModeMiniFreq	Minimum Frequency – Maximum Frequency	0.01 Hz	15.00	1503	Minimum HVX9000 frequency in fire mode	8-48
P1.9.4	FireModeFreqRef1	0.0 – 100.0%	0.1%	75.0	1712	HVX9000 reference 1 frequency in fire mode	8-48
P1.9.5	FireModeFreqRef2	0.0 – 100%	0.1%	100.0	1711	HVX9000 reference 2 frequency in fire mode	8-48
P1.9.6	FMAutoResetDelay	0.50 – 10.00	0.01 s	5.00	1506	Auto restart delay in fire mode after fault cause clears	8-49

^① Drive must be stopped to edit these parameters.

Table B-10: Parameter Group G1.10: IntelliPass Parameters

Code	Parameter	Range	Step	Default	ID #	Description	Page
P1.10.1	IntelliPass ^②	0 – 1	1	0 (IntelliPass Disabled)	1521	0 Disabled – Not used 1 IntelliPass enabled	8-49
P1.10.2	Bypass Start Delay ^②	1 – 32,765	1 s	5	1545	Time delay before motor is switched from HVX9000 to bypass after digital input closed	8-49
P1.10.3	Auto Bypass ^②	0 – 1	1	0 (Auto Bypass Disabled)	1525	0 Auto bypass disabled 1 Auto bypass enabled	8-50
P1.10.4	Auto BypassDelay ^②	0 – 32,765	1 s	10	1526	Time delay before auto bypass occurs	8-50
P1.10.5	Over 1 BypasEnab ^②	0 – 1	1	0	1553	0 Auto bypass on overcurrent disabled 1 Auto bypass on overcurrent after restart tries exceeded enabled	8-50
P1.10.6	IGBT FLT BypasEn ^②	0 – 1	1	0	1552	0 Auto bypass on IGBT fault disabled 1 Auto bypass on IGBT fault after restart tries exceeded enabled	8-50
P1.10.7	No Ref BypasEnab ^②	0 – 1	1	0	1554	0 Auto bypass on 4 mA loss disabled 1 Auto bypass on 4 mA loss after restart tries exceeded enabled	8-50
P1.10.8	UV BypassEnab ^②	0 – 1	1	0	1550	0 Auto bypass on undervoltage disabled 1 Auto bypass on undervoltage after restart tries exceeded enabled	8-50
P1.10.9	Ovolt BypassEnab ^②	0 – 1	1	0	1555	0 Auto bypass on overvoltage disabled 1 Auto bypass on overvoltage after restart tries exceeded enabled	8-50

^② Drive must be stopped to edit these parameters.

August 2006

Table B-11: Parameter Group G1.11: PID Control

Code	Parameter	Range	Step	Default	ID #	Description	Page
P1.11.1	PID Reference ^①	0 – 4	1	0 (AI1)	332	0 Analog voltage AI1, terminals 2-3 1 Analog current AI2, terminals 4-5 2 Reference from keypad 3 Reference from communication bus 4 Reference from motor potentiometer	8-51
P1.11.2	Engineering Unit	0 – 9	1	0 (% Percent)	1796	0 % Percent 1 Temperature Fahrenheit 2 Temperature Centigrade 3 PSIG 4 BAR 5 Feet 6 Inches of Water Column 7 Gallons per minute 8 Feet per minute 9 CFM (Cubic Feet per Minute) 10 PPM (Parts per Million)	8-51
P1.11.3	Sensor Min.	Varies dependent on P1.11.2	1	0.00%	1538	This parameter sets the minimum value for the sensor in eng. units.	8-51
P1.11.4	Sensor Max.	Varies dependent on P1.11.2	1	100.0%	1539	This parameter sets the maximum value for the sensor in eng. units.	8-51
P1.11.5	PID Setpoint Min	Varies dependent on P1.11.2	1	0.00%	359	This parameter sets the minimum value for the PID Setpoint in eng. units.	8-51
P1.11.6	PID Setpoint Max	Varies dependent on P1.11.2	1	100.0%	360	This parameter sets the maximum value for the PID setpoint in eng. units.	8-51
P1.11.7	Act Value Select ^①	0 – 7	1	0 (Actual Value 1)	333	0 Actual value 1 1 Actual value 1 + actual value 2 2 Actual value 1 – actual value 2 3 Actual value 1 x actual value 2 4 Greater of actual value 1 and actual value 2 5 Smaller of actual value 1 and actual value 2 6 Mean value of actual value 1 and actual value 2 7 Square root of actual value 1 + square root of actual value 2	8-52
P1.11.8	Actual 1 Input ^①	0 – 9	1	2 (AI2)	334	0 Not used 1 Analog voltage AI1, terminals 2-3 2 Analog current AI2, terminals 4-5 3 Analog current AI3 ^② 4 Analog current AI4 ^② 5 Communication bus 6 Motor torque 7 Motor speed 8 Motor current 9 Motor power	8-52
P1.11.9	Act 1 Max Scale	-1000.0 – 1000.0	0.1 %	100.0%	337	100 % = no maximum scaling	8-52
P1.11.10	Act 1 Min Scale	-1000.0 – 1000.0	0.1 %	0.0	336	0 % = no minimum scaling	8-52
P1.11.11	Actual 2 Input ^①	0 – 9	1	0 (Not used)	335	0 Not used 1 Analog voltage AI1, terminals 2-3 2 Analog current AI2, terminals 4-5 3 Analog current AI3 ^② 4 Analog current AI4 ^② 5 Communication bus 6 Motor torque 7 Motor speed 8 Motor current 9 Motor power	8-53
P1.11.12	Actual 2 Max Scale	-1000.0 – 1000.0	0.1 %	100.0	339	100 % no maximum scaling	8-53
P1.11.13	Actual 2 Min Scale	-1000.0 – 1000.0	0.1 %	0.0	338	0 % no minimum scaling	8-53

^① Drive must be stopped to edit these parameters.

^② Not available at this time.

Table B-11: Parameter Group G1.11: PID Control, continued

Code	Parameter	Range	Step	Default	ID #	Description	Page
P1.11.14	PID-Contr Gain	0.0 – 1000.0	0.1 %	10.0%	118	0 % PID controller acts as ID controller	8-53
P1.11.15	PID-Contr Gain, Read Only	0.0 – 1000.0	0.1 %	10.0%	1622	0 % PID controller acts as ID controller	8-53
P1.11.16	PID-Contr I Time	0.00 – 320.00	0.01 s	10.00	119	0.00 s PID controller acts as PD controller	8-53
P1.11.17	PID-Contr I Time, Read Only	0.00 – 320.00	0.01 s	10.00	1644	0.00 s PID controller acts as PD controller	8-53
P1.11.18	PID-Contr D Time	0.00 – 10.00	0.01 s	0.00	132	0.00 s PID controller acts as PI controller	8-54
P1.11.19	PID-Contr D Time, Read Only	0.00 – 10.00	0.01 s	0.00	1688	0.00 s PID controller acts as PI controller	8-54
P1.11.20	PID Ref Rise Tim	0.0 – 100.0	0.1 s	5.0	341	Time for reference to rise from 0 % to 100 %	8-56
P1.11.21	PID Ref Fall Tim	0.0 – 100.0	0.1 s	5.0	342	Time for reference to fall from 100 % to 0 %	8-56
P1.11.22	Error Inversion ^①	0 – 1	1	0 (No Inversion)	340	0 No inversion 1 Signal inverted	8-56
P1.11.23	Sleep Func Enabl ^①	0 – 1	1	0	1560	0 Disabled 1 Enabled	8-56
P1.11.24	Sleep Frequency	Min Frequency – Max Frequency	0.01 Hz	15.00	1016	Level below which a sleep stop will occur	8-56
P1.11.25	Sleep Delay	0 – 32,500	1 s	30	1017	Delay before which a sleep stop will occur	8-56
P1.11.26	Wake Up Limit	0.00 – 100.00	0.01 %	25.00	1018	Actual value to cause run after sleep stop	8-57
P1.11.27	Wake Up Action	0 – 1	1	0 (Below Level)	1019	0 Wake up after falling below limit 1 Wake up after exceeding limit	8-57
P1.11.28	PID SumPoint Ref ^①	0 – 7	1	0 (No additional reference)	376	0 No additional reference (direct output) 1 PID output + AI1, terminals 2-3 2 PID output + AI2, terminals 4-5 3 PID output + AI3 reference ^② 4 PID output + AI4 reference ^② 5 PID output + PID keypad reference 6 PID output + Communication bus 7 PID output + Motor potentiometer	8-58

^① Drive must be stopped to edit these parameters.

^② Not available at this time.

Table B-12: Parameter Group G1.12: Preset Speeds

Code	Parameter	Range	Step	Default	ID #	Description	Page
P1.12.1	#1 Preset Speed	0.0 – 100.0	0.1%	10.0	1600	Defines #1 preset speed as a percentage of Max Frequency.	8-59
P1.12.2	#2 Preset Speed	0.0 – 100.0	0.1%	20.0	1601	Defines #2 preset speed as a percentage of Max Frequency.	8-59
P1.12.3	#3 Preset Speed	0.0 – 100.0	0.1%	30.0	1602	Defines #3 preset speed as a percentage of Max Frequency.	8-59
P1.12.4	#4 Preset Speed	0.0 – 100.0	0.1%	40.0	1603	Defines #4 preset speed as a percentage of Max Frequency.	8-59
P1.12.5	#5 Preset Speed	0.0 – 100.0	0.1%	50.0	1604	Defines #5 preset speed as a percentage of Max Frequency.	8-59
P1.12.6	#6 Preset Speed	0.0 – 100.0	0.1%	75.0	1605	Defines #6 preset speed as a percentage of Max Frequency.	8-59
P1.12.7	#7 Preset Speed	0.0 – 100.0	0.1%	100.0	1606	Defines #7 preset speed as a percentage of Max Frequency.	8-59

August 2006

Table B-13: Parameter Group G1.13: Communication Bus

Code	Parameter	Range	Step	Default	ID #	Description	Page
P1.13.1	FBDataOut1Sel	0 – 10000	1	1590 (Motor speed – %)	852	Motor Speed (Percent)	8-60
P1.13.2	FBDataOut2Sel	0 – 10000	1	1 (Output frequency – Hz)	853	Output Frequency (Hz)	8-60
P1.13.3	FBDataOut3Sel	0 – 10000	1	25 (Frequency reference – Hz)	854	Frequency Reference (Hz)	8-60
P1.13.4	FBDataOut4Sel	0 – 10000	1	2 (Motor speed – rpm)	855	Motor Speed (rpm)	8-60
P1.13.5	FBDataOut5Sel	0 – 10000	1	1780 (Motor current)	856	Motor Current	8-60
P1.13.6	FBDataOut6Sel	0 – 10000	1	5 (Motor power)	857	Motor Power	8-60
P1.13.7	FBDataOut7Sel	0 – 10000	1	1701 (Motor run time – minutes)	858	Motor Run Time (Minutes)	8-61
P1.13.8	FBDataOut8Sel	0 – 10000	1	1666 (Energy meter – kW)	859	Energy Meter (Kilowatts)	8-61
P1.13.9	FLN Address	0 – 99	1	99	1900	Sets communications address for Siemens Apogee System.	8-61
P1.13.10	FLN Address ^①	0 – 99	1	99	1589	Reads communications address for Siemens Apogee System.	8-61

^① This Read Only Value is only present when the Parameter Lock is set to “Change Disable”. Also when the “Lock Panel” is “On” from the Siemens Apogee Network. The preceding parameter becomes invisible.

Table B-14: Monitoring Menu Items

Code	Signal Name	Unit	ID #	Description
V5.1	Motor speed	rpm	2	Calculated motor speed
V5.2	Motor speed %	%	1590	Motor Nominal Speed %
V5.3	Frequency reference	Hz	25	Frequency reference setting
V5.4	Output frequency	Hz	1	Frequency to the motor
V5.5	Motor current	A	1780	Measured motor current
V5.6	Motor torque	%	4	Calculated torque based on nominal motor torque
V5.7	Motor power	%	5	Calculated power based on nominal motor power
V5.8	Instantaneous	kW	1888	Calculated power based on output to motor
V5.9	Energy meter	KwH	1666	Kilowatt hours total usage ^①
V5.10	Motor voltage	V	6	Calculated motor voltage
V5.11	DC-bus voltage	V	7	Measured DC-bus voltage
V5.12	Motor run time	Hrs	1701	Motor run time total ^①
P5.13	Run Display Format	—	1565	Changes motor run time between seconds, minutes, hours and days ^③
V5.14	Unit temperature	°C	8	Heatsink temperature
V5.15	Calculated motor temperature	°C	1917	Calculated motor temperature based on the motor nameplate information and the calculated motor load
V5.16	Analog Input 1	V	13	Voltage Input at Terminal AI1+ and GND
V5.17	Analog Input 2	mA	14	Current Input at Terminals AI2+ and AI2-
V5.18	Analog Input 3	mA	1680	Current Input at Terminals AI3+ and AI3-
V5.19	Analog Input 4	mA	1710	Current Input at Terminals AI4+ and AI4-
V5.20	DIN1, DIN2, DIN3	—	15	Digital input status (Figure 6-10)
V5.21	DIN4, DIN5, DIN6	—	16	Digital input status (Figure 6-11)
V5.22	DIN Status	—	1904	Digital Input status. All digital Inputs.
V5.23	DO1, RO1, RO2	—	17	Digital and relay output status (Figure 6-12)
V5.24	RO3, RO4, RO5	—	1678	Relay output status
V5.25	Relay out status	—	1773	Status of all relay outputs ^②
V5.26	Analog lout	mA	26	Current Output at Terminals AO1+ and AO1-
V5.27	Analog Output 2	mA	1874	Current Output at Terminals AO2+ and AO2-
V5.28	Analog Output 3	mA	1875	Current Output at Terminals AO3+ and AO3-
V5.29	PID Setpoint	%	20	PID Setpoint Level
V5.30	PID Actual Level	%	21	PID Actual Level
V5.31	PID Error Value	%	22	PID Error Value
V5.32	PID Output	%	23	PID Output
G5.33	Active Faults	—		See Page 6-22
G5.34	Fault History	—		See Page 6-24
G5.35	Multimonitor	—		See Page 6-24

^① Resettable via S.3.8.2 trip counters.

^② Includes BIN — Binary to decimal converted value for all digital and relay outputs.

^③ See description on **Page 6-17**.

August 2006

Appendix C — Fault and Warning Codes

Table C-1: Fault Codes

Fault Code	Fault	Possible Cause	Solution
1	Overcurrent	HVX9000 has detected a high current ($>4xI_n$) in its output due to: <ul style="list-style-type: none"> • sudden heavy load increase • short in the motor • short in the cables to the motor • unsuitable motor 	Check loading. Check motor. Check cables.
2	Overvoltage	The DC-link voltage has exceeded its high limit due to: <ul style="list-style-type: none"> • too short a deceleration time • high voltage levels or surges in the utility supply 	Make the deceleration time longer. Use brake chopper and brake resistor (standard on some models, available as options on others). Correct utility supply voltage (level is too high). Add input impedance to limit surges.
3	Ground (Earth) Fault	Current sensing indicates that the sum of motor phase currents is not zero. <ul style="list-style-type: none"> • insulation failure in motor or motor cables 	Check motor and motor cables.
5	Charging Switch	The charging switch was open, when the START command was given due to: <ul style="list-style-type: none"> • faulty operation • component failure 	Reset the fault and restart. Should the fault re-occur, contact your Cutler-Hammer distributor.
6	Emergency stop	An Emergency stop signal was received from one of the digital inputs	Determine reason for the Emergency stop and remedy it.
7	Saturation trip	<ul style="list-style-type: none"> • defective component • motor or motor cable short 	Cannot be reset from the keypad. Switch off power. IF THE PROBLEM IS NOT IN THE MOTOR OR ITS CABLES, DO NOT RE-CONNECT POWER! Contact your Cutler-Hammer distributor. If this fault appears simultaneously with Fault 1, check the motor and motor cables.
8	System fault	<ul style="list-style-type: none"> • component failure • faulty operation Note: exceptional fault data record, see Active Fault Menu for more information	Reset the fault and restart. Should the fault re-occur, contact your Cutler-Hammer distributor.

Table C-1: Fault Codes, continued

Fault Code	Fault	Possible Cause	Solution
9	Undervoltage	DC-link voltage is less than the minimum safe operating voltage limit <ul style="list-style-type: none"> • most probable cause: too low a utility supply voltage • HVX9000 internal fault 	If there was a supply voltage loss or dip, reset the fault and restart the HVX9000. Check the supply voltage. If it was within specification at the time of the fault, an internal failure has occurred. Contact your Cutler-Hammer distributor.
10	Input line supervision	Input line phase is low or missing.	Check the utility supply voltage, cables and connections.
11	Output phase supervision	Current sensing indicates that there is no current in one motor phase	Check the motor cables, connections and motor.
12	Brake chopper supervision	<ul style="list-style-type: none"> • no brake resistor installed • brake resistor is broken • brake chopper failure 	Check the brake resistor. If the resistor is ok, the chopper is faulty. Contact your Cutler-Hammer distributor.
13	HVX9000 undertemperature	Heatsink temperature is under -10°C	Provide supplemental heating or relocate the HVX9000 to a warmer location.
14	HVX9000 overtemperature	Heatsink temperature is over 90°C.	An overtemperature warning is issued when the heatsink temperature exceeds 85°C, a fault occurs at 90°C. Check for the correct amount and unrestricted flow of cooling air. Check the heatsink for dust or dirt buildup. Check the highest ambient temperature level. Make sure that the switching frequency is not set too high in relation to the ambient temperature and motor load.
15	Motor stalled	<ul style="list-style-type: none"> • motor or load mechanical failure • load too high • stall parameter settings incorrect 	Check the motor, mechanical system and load level. Confirm the stall parameter settings.
16	Motor overtemperature	<ul style="list-style-type: none"> • motor is overloaded • motor overheating has been detected by HVX9000 motor temperature model 	Decrease the motor load. If no motor overload exists, check the temperature model parameters.
17	Motor underload	<ul style="list-style-type: none"> • mechanical or load problem • underload parameter settings incorrect 	Check the motor, check for a loose belt, broken coupling or load problems. Confirm underload parameter settings.

Table C-1: Fault Codes, continued

Fault Code	Fault	Possible Cause	Solution
22 23	EEPROM checksum fault	Parameter save fault <ul style="list-style-type: none"> • faulty operation • component failure 	Upon reset of this fault, the HVX9000 will automatically reload the parameter default settings. Check all parameter settings after reset. If the fault reoccurs, contact your Cutler-Hammer distributor.
25	Microprocessor watchdog fault	<ul style="list-style-type: none"> • faulty operation • component failure 	Reset the fault and restart. If the fault reoccurs, contact your Cutler-Hammer distributor.
26	Start-up prevented	Start-up of the drive has been prevented.	Check Start Enable/Interlock settings.
29	Thermistor fault	The thermistor input of an option board has detected a high motor temperature	Check the motor cooling and the motor loading. Check the thermistor connection. (If the thermistor input of an option board is not being used, it must be short-circuited.)
32	Fan cooling	The HVX9000 cooling fan did not start when commanded	Contact your Cutler-Hammer distributor.
34	CAN bus communication	Sent message not acknowledged	Ensure that there is another device on the bus with the appropriate configuration.
36	Control unit	Control unit cannot control the power unit and vice-versa	Change control unit.
37	Device change	<ul style="list-style-type: none"> • option board changed • different power rating of drive 	Reset. Note: No fault time data record!
38	Device added	<ul style="list-style-type: none"> • option board added • drive of different power rating added 	Reset. Note: No fault time data record!
39	Device removed	<ul style="list-style-type: none"> • option board removed • drive removed 	Reset. Note: No fault time data record!
40	Device unknown	Unknown option board or drive	Contact your Cutler-Hammer distributor.
41	IGBT temperature	IGBT Inverter Bridge overtemperature protection has detected high short term overload current	Check loading. Check motor size.
42	Brake resistor overtemperature	Brake resistor overtemperature protection has detected excessive braking	Set the deceleration time longer. Use an external brake resistor.

Table C-1: Fault Codes, continued

Fault Code	Fault	Possible Cause	Solution
43	Encoder fault	<p>Note: the exceptional Fault data record. See Active Fault Menu for more information. Additional codes:</p> <ol style="list-style-type: none"> 1 Encoder 1 channel A is missing 2 Encoder 1 channel B is missing 3 Both encoder 1 channels are missing 4 Encoder reversed 	<p>Check encoder channel connections.</p> <p>Check the encoder board.</p>
50	Analog input $I_{in} < 4$ mA (for signal range 4 to 20 mA)	<p>Current at the analog input is < 4 mA</p> <ul style="list-style-type: none"> • control cable is broken or loose • signal source has failed 	Check the current loop, signal source and wiring.
51	External fault	Digital input set as an external fault input has been triggered.	Check source of trigger.
52	Keypad communication fault	The connection between the control keypad and the HVX9000 has been lost.	Check keypad connection and keypad cable.
53	Communication bus fault	The data connection between the communication bus master and the communication bus board has failed	<p>Check installation.</p> <p>If installation is correct, contact your Cutler-Hammer distributor.</p>
54	Slot fault	Defective option board or slot	Check that the board is properly installed and seated in slot. If installation is correct, contact your Cutler-Hammer distributor.
82	BypassOverLoad	The motor has been overloaded while connected to the bypass	<p>Decrease the motor load.</p> <p>Disable the Current Imbalance feature – see the <i>IT</i> manual.</p>

August 2006

Appendix D — Figures and Tables by Topics

List of Figures

Acceleration/Deceleration Curve (S-Shaped) (Figure 8-10)	8-29
Active Fault Display Example (Figure 6-13)	6-22
AI1 Signal Filtering (Figure 8-2)	8-10
AI2 Signal Filtering (Figure 8-3)	8-11
Analog Output Filtering (Figure 8-5)	8-15
Analog Output Inversion (Figure 8-6)	8-16
Analog Output Scale (Figure 8-7)	8-17
Cable Protection Plate (Figure 3-4)	3-6
Control Place B with and without Reference Scaling (Figure 8-4)	8-12
DC Braking Command (Figure 8-1)	8-6
DC Braking Time at Start (Figure 8-13)	8-32
DC Braking Time When Stop Mode = Coasting (Figure 8-11)	8-31
DC Braking Time When Stop Mode = Ramp (Figure 8-12)	8-32
Digital Inputs DIN1, DIN2, DIN3 Status (Figure 6-10)	6-22
Digital Inputs DIN4, DIN5, DIN6 Status (Figure 6-11)	6-22
Digital Outputs DO1, RO1, RO2 Status (Figure 6-12)	6-22
Enable Bypass (Figure 6-3)	6-6
Example of Automatic Restart with Two Restarts (Figure 8-23)	8-46
Examples of Actual Value Signal Scaling (Figure 8-25)	8-52
Expander Board Menu Structure (Figure 6-9)	6-19
External Brake Control (Figure 8-9)	8-25
FR4 Power and Motor Wiring Terminals (Figure 3-8)	3-10
FR5 Power and Motor Wiring Terminals (Figure 3-9)	3-11
FR6 Power and Motor Wiring Terminals (Figure 3-10)	3-12
FR7 Power and Motor Wiring Terminals (Figure 3-11)	3-13
FR8 Power and Motor Wiring Terminals (Figure 3-12)	3-14
FR9 Power and Motor Wiring Terminals (Figure 3-13)	3-15
Frequency Converter Sleep Function (Figure 8-29)	8-57
Frequency Reference Logic of the Fire Mode PID Application When Running in Fire Mode (Figure 8-24)	8-49
Ground Terminal Locations (Figure 3-3)	3-5
HVX IntelliPass/IntelliDisconnect Dimensions (Figure 5-1)	5-2
HVX Series Enclosed Drive Dimensions — Box A (Figure 5-2)	5-3
HVX Series Enclosed Drive Dimensions — Box A (Figure 5-5)	5-6
HVX Series Enclosed Drive Dimensions — Box B (Figure 5-3)	5-4
HVX Series Enclosed Drive Dimensions — Box B (Figure 5-6)	5-7
HVX Series Enclosed Drive Dimensions — Box C (Figure 5-4)	5-5
HVX Series Enclosed Drive Dimensions — Box C (Figure 5-7)	5-8
HVX9000 Dimensions, FR10 Open Chassis (Figure A-16)	A-17
HVX9000 Dimensions, FR11 Open Chassis (Figure A-18)	A-19
HVX9000 Dimensions, NEMA Type 1 and NEMA Type 12 FR9 (Figure A-13)	A-14
HVX9000 Dimensions, NEMA Type 1 and NEMA Type 12 FR9 with Flange Kit (Figure A-14)	A-15
HVX9000 Dimensions, NEMA Type 1 and NEMA Type 12 with Flange Kit, FR4, FR5 and FR6 (Figure A-8)	A-9
HVX9000 Dimensions, NEMA Type 1 and NEMA Type 12, FR7 (Figure A-9)	A-10

List of Figures, continued

HVX9000 Dimensions, NEMA Type 1 and NEMA Type 12, FR8 (Figure A-10)	A-11
HVX9000 Dimensions, NEMA Type 1 and NEMA Type 12, FR9 (Figure A-12)	A-13
HVX9000 Dimensions, NEMA Type 1 and NEMA Type 12, with Flange Kit, FR7 and FR8 (Figure A-11)	A-12
HVX9000 Dimensions, NEMA Type 1 FR11 Freestanding Drive (Figure A-17)	A-18
HVX9000 Dimensions, NEMA Type 1 and NEMA Type 12 FR10 Freestanding Drive (Figure A-15)	A-16
Identification of TYPE 1 Components (Figure 5-11)	5-16
Identification of TYPE 3R Components (Figure 5-8)	5-9
Input Power and Motor Cable Stripping and Wire Lengths (Figure 3-1)	3-4
IntelliPass Control Diagram (Figure 5-13)	5-22
IntelliPass Power and Motor Terminal Wiring Example (Figure 5-12)	5-21
Keypad and Display (Figure 6-1)	6-1
Keypad Control Menu (Figure 6-7)	6-9
Linear and Squared Change of Motor Voltage (Figure 8-16)	8-36
Main Menu Navigation — 1 of 2 (Figure 6-4)	6-7
Main Menu Navigation — 2 of 2 (Figure 6-5)	6-8
Minimum Load Setting (Figure 8-21)	8-44
Motor Cooling Power (Figure 8-18)	8-41
Motor Temperature Calculation (Figure 8-19)	8-42
Mounting Space Requirements (Figure 2-1)	2-1
NEMA Type 1 and NEMA Type 12 HVX9000 Drive Dimensions, FR4, FR5 and FR6 (Figure A-7)	A-8
Operate Menu Navigation (Figure 6-15)	6-25
Operate Menu Navigation (Figure 6-2)	6-5
Option Board A2 Terminal Locations (Figure 4-5)	4-6
Option Board A2 Wiring Diagram (Slot B) (Figure 4-4)	4-5
Option Board A9 Jumper Location and Settings (Slot A) (Figure 4-3)	4-5
Option Board A9 Wiring Diagram (Figure 4-2)	4-3
Option Board B5 Terminal Location (Figure 5-15)	5-24
Option Board B5 Wiring Diagram (Figure 5-14)	5-23
Option Board Slots (Figure 4-1)	4-1
Output Frequency Supervision (Figure 8-8)	8-24
Parameter Menu Structure (Figure 6-6)	6-9
PID Controller D-Time, Example 1 (Figure 8-26)	8-54
PID Controller D-Time, Example 2 (Figure 8-27)	8-55
PID Controller D-Time, Example 3 (Figure 8-28)	8-55
PID Output + Motor Potentiometer Reference (Figure 8-30)	8-58
Positive/Negative Logic (Figure 4-6)	4-6
Power Loss as Function of Switching Frequency: 1 – 3 hp 230V, 1-1/2 – 7-1/2 hp 480V (Figure A-1)	A-5
Power Loss as Function of Switching Frequency: 100 – 150 hp 480V (Figure A-5)	A-7
Power Loss as Function of Switching Frequency: 15 – 20 hp 230V, 25 – 40 hp 480V (Figure A-3)	A-6
Power Loss as Function of Switching Frequency: 200 – 250 hp 480V (Figure A-6)	A-7
Power Loss as Function of Switching Frequency: 5 – 10 hp 230V, 10 – 20 hp 480V (Figure A-2)	A-5

August 2006

List of Figures, continued

Power Loss as Function of Switching Frequency: 50 – 75 hp 480V (Figure A-4)	A-6
Principle Wiring Diagram of HVX Power Unit, FR4, FR5 and FR6 (Figure 3-5)	3-7
Principle Wiring Diagram of HVX Power Unit, FR6, FR7 and FR8 (Figure 3-6)	3-8
Principle Wiring Diagram of HVX Power Unit, FR9 and FR10 (Figure 3-7)	3-9
Programmable V/f Ratio (Figure 8-17)	8-37
Ramp Speed Scaling Between Skip Frequencies (Figure 8-15)	8-34
Sample Fault History Display (Figure 6-14)	6-24
Schematic for Static Checks (Figure 5-10)	5-15
Skip Frequency Area Setting (Figure 8-14)	8-34
Stall Characteristics Settings (Figure 8-20)	8-43
System Menu Structure (Figure 6-8)	6-11
Tools Required (Figure 5-9)	5-9
Underload Time Counter Function (Figure 8-22)	8-45
Wiring Plate (Figure 3-2)	3-5

List of Tables

230V I _L Output Power Ratings (Table A-2)	A-3
480V I _L Output Power Ratings (Table A-3)	A-3
575V I _L Output Power Ratings (Table A-4)	A-4
Application Information (Table 6-8)	6-18
Binary Inputs for Seven Preset Speeds (Table 8-8)	8-59
Bypass Power Wiring Instructions — TYPE 1 (Table 5-13)	5-16
Bypass Power Wiring Instructions — TYPE 3R and 12 (Table 5-9)	5-10
Cable and Fuse Sizes — 208 – 240V Ratings (Table 3-2)	3-2
Cable and Fuse Sizes — 380 – 500V Ratings (Table 3-3)	3-2
Cable and Fuse Sizes — 575 – 690V Ratings (Table 3-4)	3-3
Cable Spacings (Table 3-1)	3-1
Control Wiring Instructions (Table 4-2)	4-2
Cooling Airflow Requirements (Table 2-2)	2-2
Dimensions for HVX9000, FR10 Open Chassis (Table A-16)	A-17
Dimensions for HVX9000, FR11 Open Chassis (Table A-18)	A-19
Dimensions for HVX9000, FR4, FR5 and FR6 with Flange Kit (Table A-6)	A-9
Dimensions for HVX9000, FR7 and FR8 with Flange Kit (Table A-10)	A-12
Dimensions for HVX9000, FR9 (Table A-13)	A-14
Dimensions for HVX9000, FR9 with Flange Kit (Table A-14)	A-15
Dimensions for HVX9000, NEMA Type 1 FR11 Freestanding Drive (Table A-17)	A-18
Dimensions for HVX9000, FR10 Freestanding Drive (Table A-15)	A-16
Dimensions for the Flange Opening, FR4 to FR6 (Table A-7)	A-9
Dimensions for the Flange Opening, FR7/FR8 (Table A-11)	A-12
DO1 Function Settings (Table 8-2)	8-17
Fault Codes (Table C-1)	C-1
Fault Time Data (Table 6-13)	6-24
Fault Types (Table 6-12)	6-23
Fieldbus Output Selection Examples (Table 8-9)	8-62
Hardware Information (Table 6-9)	6-18
HVX IntelliPass Drive Catalog Numbering System (Table 5-1)	5-1
HVX Series TYPE 12 Enclosed IntelliPass/IntelliDisconnect Drive Dimensions (Table 5-5)	5-5
HVX Series TYPE 12 Enclosed IntelliPass/IntelliDisconnect Drive Dimensions (Table 5-3)	5-3
HVX Series TYPE 12 Enclosed IntelliPass/IntelliDisconnect Drive Dimensions (Table 5-4)	5-4
HVX Series TYPE 3R Enclosed IntelliPass/IntelliDisconnect Drive Dimensions (Table 5-8)	5-8
HVX Series TYPE 3R Enclosed IntelliPass/IntelliDisconnect Drive Dimensions (Table 5-6)	5-6
HVX Series TYPE 3R Enclosed IntelliPass/IntelliDisconnect Drive Dimensions (Table 5-7)	5-7
HVX9000 Drive Catalog Numbering System (Table 1-1)	1-2
HVX9000 Drive Dimensions (Table A-5)	A-8
HVX9000 Drive Dimensions, FR7 (Table A-8)	A-10
HVX9000 Drive Dimensions, FR8 (Table A-9)	A-11
HVX9000 Drive Dimensions, FR9 (Table A-12)	A-13
HVX9000 Drive Specifications (Table A-1)	A-1
LCD Status Indicators (Table 6-1)	6-2
LED Status Indicators (Table 6-2)	6-2

August 2006

List of Tables, continued

Maximum Symmetrical Supply Current (Table 3-5)	3-3
Monitoring Menu Items (Table 6-11)	6-21
Monitoring Menu Items (Table B-14)	B-16
Navigation Buttons (Table 6-3)	6-3
NEMA TYPE 1 IntelliPass/IntelliDisconnect Drive Dimensions (Table 5-2)	5-2
Operate Menu Items — IntelliPass Application Example (Table 6-14)	6-25
Operate Menu Items — IntelliPass Application Example (Table 6-4)	6-5
Option Board A2 Terminal Descriptions (Table 4-4)	4-6
Option Board A9 Terminal Descriptions (Table 4-3)	4-4
Option Board B5 Terminal Descriptions (Table 5-14)	5-23
Parameter Group G1.1: Basic (Table B-1)	B-1
Parameter Group G1.10: IntelliPass Parameters (Table B-10)	B-12
Parameter Group G1.11: PID Control (Table B-11)	B-13
Parameter Group G1.12: Preset Speeds (Table B-12)	B-14
Parameter Group G1.13: Communication Bus (Table B-13)	B-15
Parameter Group G1.2: Input Signals (Table B-2)	B-2
Parameter Group G1.3: Output Signals (Table B-3)	B-5
Parameter Group G1.4: Drive Control (Table B-4)	B-8
Parameter Group G1.5: Skip Frequencies (Table B-5)	B-9
Parameter Group G1.6: Motor Control (Table B-6)	B-9
Parameter Group G1.7: Protections (Table B-7)	B-10
Parameter Group G1.8: Auto-Restart Parameters (Table B-8)	B-11
Parameter Group G1.9: Fire Mode (Table B-9)	B-12
Power and Motor Cable Stripping Lengths (Table 3-7)	3-4
Power Connection Tightening Torque (Table 3-6)	3-3
RO1 Function Settings (Table 8-3)	8-18
RO2 Function Settings (Table 8-4)	8-20
RO3 Content Settings (Table 8-5)	8-21
Scaling Factor for the Analog Output (Table 8-1)	8-16
Scaling Factor for the Analog Output (Table 8-6)	8-27
Scaling Factor for the Analog Output (Table 8-7)	8-28
Slot A Expander Board Information (Table 6-10)	6-18
Software Information (Table 6-7)	6-18
Space Requirements for Mounting an HVX9000 Drive (Table 2-1)	2-1
Static Checks of Converter (Table 5-10)	5-14
Static Checks of DC Bus (Table 5-12)	5-15
Static Checks of Inverter (Table 5-11)	5-14
Tightening Torques of Terminals (Table 4-1)	4-2
Total Counters (Table 6-5)	6-17
Trip Counters (Table 6-6)	6-17

August 2006

Company Information

Eaton's electrical business is a global leader in electrical control, power distribution, and industrial automation products and services. Through advanced product development, world-class manufacturing methods, and global engineering services and support, Eaton's electrical business provides customer-driven solutions under brand names such as Cutler-Hammer®, Powerware®, Durant®, Heinemann®, Holec® and MEM®, which globally serve the changing needs of the industrial, utility, light commercial, residential, and OEM markets. For more information, visit www.EatonElectrical.com.

Eaton Corporation is a diversified industrial manufacturer with 2005 sales of \$11.1 billion. Eaton is a global leader in fluid power systems and services for industrial, mobile and aircraft equipment; electrical systems and components for power quality, distribution and control; automotive engine air management systems, powertrain solutions and specialty controls for performance, fuel economy and safety; and intelligent truck drivetrain systems for safety and fuel economy. Eaton has 60,000 employees and sells products to customers in more than 125 countries. For more information, visit www.eaton.com.



Cutler-Hammer