



## Main

Range of product	Harmony XVS
Product or component type	Editable electronic alarm
Beacon or indicator bank unit type	Sound unit
Device short name	XVSV

## Complementary

Colour	White
Input type	Bit: 6 channel input Binary: 63 channel input
Assembly style	Ready assembled
Material	PC (polycarbonate): body PC (polycarbonate): back cover TPE (thermoplastic elastomer): front panel NBR (nitrile butadiene rubber)
Net weight	0.142 kg
Marking	CE
Overvoltage category	Class II conforming to EN/IEC 61140
Mounting support	72 mm DIN rail
[Us] rated supply voltage	12...24 V DC
[Ue] rated operational voltage	10...30 V DC
Inrush current	30 A
Associated fuse rating	1 A
[Uimp] rated impulse withstand voltage	1 kV
Power consumption in W	1.8 W
Current consumption	75 mA at 24 V DC
Clamping connection capacity	<= 1 x 1.5 mm <sup>2</sup>
Device application	Subway Packaging

	Printing
Mounting diameter	80 mm
Width	80 mm
Height	80 mm
Depth	24.9 mm

## Environment

Discrete output type	NPN
Signalling type	Adjustable vocal sound
Protective treatment	TC
Ambient air temperature for storage	-20...60 °C
Ambient air temperature for operation	-10...55 °C
Relative humidity	35...85 % without condensation
Vibration resistance	7 gn
IP degree of protection	Panel mounted: IP65 conforming to EN/IEC 60529 Wall mounted: IP20
Noise level	0...89 dB (stop or suppress) at 1 m

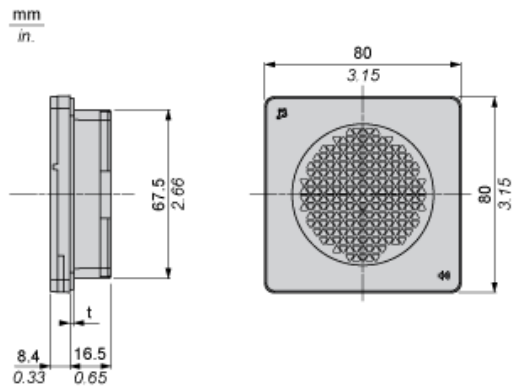
## Packing Units

Package 1 Weight	0.311 kg
Package 1 Height	0.670 dm
Package 1 width	1.150 dm
Package 1 Length	1.300 dm

## Offer Sustainability

Sustainable offer status	Green Premium product
EU RoHS Directive	Pro-active compliance (Product out of EU RoHS legal scope) <a href="#">EU RoHS Declaration</a>
Mercury free	Yes
RoHS exemption information	<a href="#">Yes</a>
China RoHS Regulation	<a href="#">China RoHS declaration</a>
Environmental Disclosure	<a href="#">Product Environmental Profile</a>
Circularity Profile	<a href="#">End of Life Information</a>

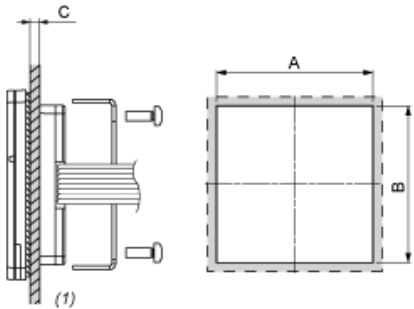
Dimensions



(t) : Waterproof rubber (1.6 mm / 0.06 in.)

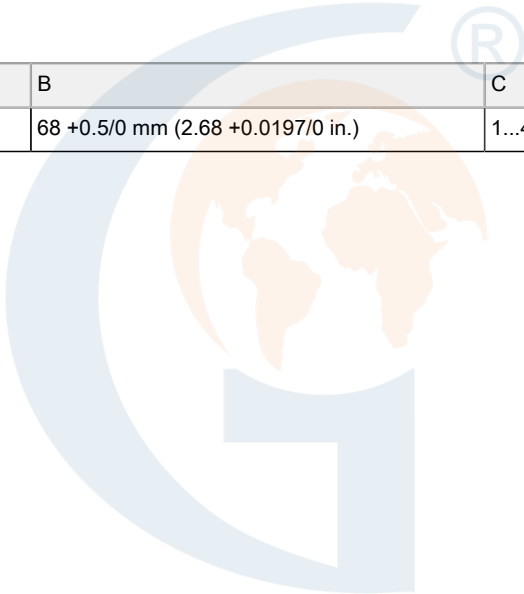


Panel Cut Dimensions

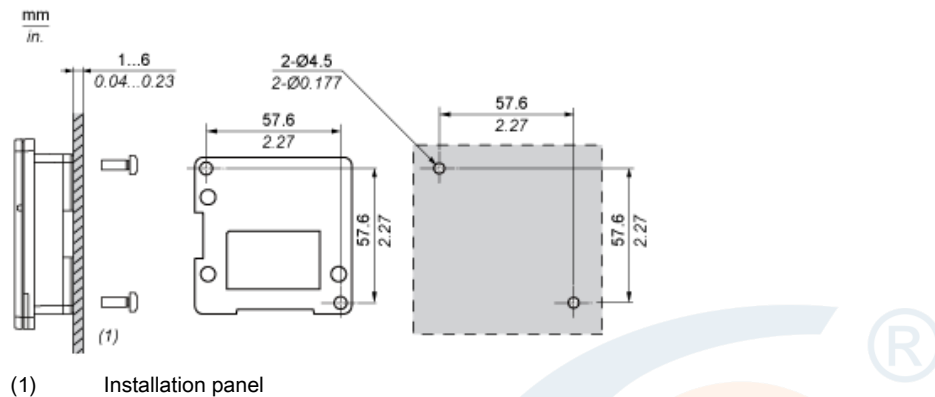


(1) Installation panel

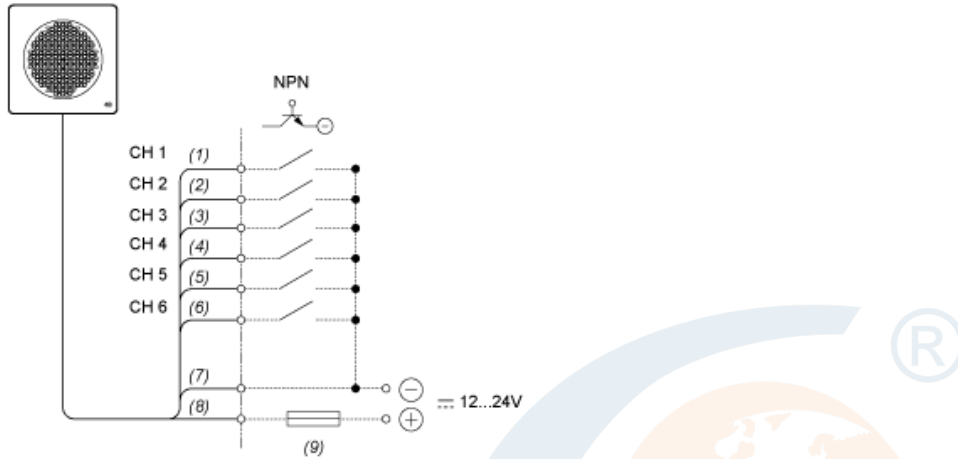
A	B	C
68 +0.5/0 mm (2.68 +0.0197/0 in.)	68 +0.5/0 mm (2.68 +0.0197/0 in.)	1...4 mm (0.04...0.15 in.)



## Wall Mount Dimensions



## Wiring Diagram



- (1) Green
- (2) Yellow
- (3) Brown
- (4) Blue
- (5) Purple
- (6) Gray
- (7) Black
- (8) Red
- (9) Fuse (Rated current:1 A)