



Main

Range of product	Harmony iPC
Product or component type	IloT Edge Box Core
Device short name	IloT Edge Box Core
Free slots	1 SD card SD 3.0, max raw transfer rate 104 MBps . Supports SD,SDHC,SDXC (Standard 32 mm x 24 mm)
Operating system	Linux Yocto (Linux Yocto project Krogoth 2.1) Linux Yocto (BitBake branch 1.30.0) Linux Yocto (Linux Kernel 4.4.38)
Software package	Node-RED and system nodes default IloT Wiring

Complementary

Range compatibility	HMIYMIN4GUS1 Interface Mini PCIe 4G US for iPC HMIYMIN4GEU1 Interface Mini PCIe 4G EU for iPC HMIYMIN8AI1 Interface Mini PCIe 8x Analog Input 0-10V HMIYBIN2AIM21 Interface M.2 2x Analog Input 0-10V/4-20mA
Accessory / separate part destination	Celullar 4G and analog Inputs
Mounting location	Book mounting Flat mounting Wall mounting
Processor name	ARM Cortex-A53 Quad core 1.2 GHz Qualcomm Snapdragon 410
Data storage equipment	8 GB eMMC (soldered)
Memory description	1 GB RAM LPDDR3 internal (not expandable)
Number of slots	1 slot(s) for mini PCI Express full-size with optional interface plate, 1 slot(s) for M.2 not for storage,
Display resolution	1920 x 1080 pixels at 60 Hz
Watchdog timer	1...255 ms
Type of cooling	Fanless
Electrical connection	Screw connector, connector type: pin, 1 way, circuit application: ground - location: bottom Connector, connector type: SMA - location: top
Integrated connection type	HDMI for For configuration only with 1 on bottom Ethernet with 2 RJ45 SMSC LAN7500, transmission rate: 10/100/1000 Mbps on bottom IEEE 1588 not supported COM1 serial link for battery backup with 1 male SUB-D 9 RS232/422/485 non-isolated USB 2.0 port with 2.0 USB type A, transmission rate: 480 Mbit/s on bottom

Disclaimer: This documentation is not intended as a substitute for and is not to be used for determining suitability or reliability of these products for specific user applications

TPM connector Ver 2.0 for cyber security - hardware encryption TPM module HMIYMINATPM201 to be installed/default installed on motherboard

Communication network type	1.0 WCN3620 Wi-Fi 2.4 GHz conforming to IEEE 802.11 b/g/n 1.0 WCN3620 Bluetooth 4.1
Cyber secured boot	Secure password boot
Connector type	1.0 GPIO Pin, 8 pins bottom(Software utility provided)
[Us] rated supply voltage	24 V DC power supply 100...240 V AC power supply
Supply voltage limits	12...24 V
Inrush current	0.43 A
Power consumption in W	16 W
Control type	Resettable
Depth	46 mm
Height	150 mm
Width	157 mm
Net weight	1 kg
Number of slots available for expansion	1.0 slot(s) for mini PCIe 1.0 slot(s) for M.2 (not for storage)

Environment

Standards	Class A group 1 EN 55011 EN 61000-6-4 EN 61131-2 FCC part 15 UL 60950
Product certifications	CE CULus UL 60950 for IT equipments CCC RCM EAC RED FCC RF IC SRRC TELEC FAC ANATEL
Quality labels	CE
Directives	2004/108/EC - electromagnetic compatibility 2006/95/EC - low voltage directive
IP degree of protection	IP40 conforming to IEC 60529
Electromagnetic compatibility	Immunity to high frequency interference conforming to IEC 61000-4 Disturbing field emission class A conforming to EN 55011 Conducted and radiated emissions class A conforming to EN 55022
Ambient air temperature for storage	-20...60 °C conforming to IEC 60068-2-2 -20...60 °C conforming to IEC 60068-2-14
Relative humidity	10...95 % non-condensing conforming to EN/IEC 60068-2-30
Ambient air temperature for operation	0...50 °C (by default) conforming to EN/IEC 60068-2-2 0...50 °C flat mounting 0...45 °C on mini PCIe 0...45 °C flat mounting on mini PCIe
Operating altitude	2000 m conforming to EN/IEC 60664-1
Vibration resistance	2 gn (f = 5...500 Hz)eMMC

Packing Units

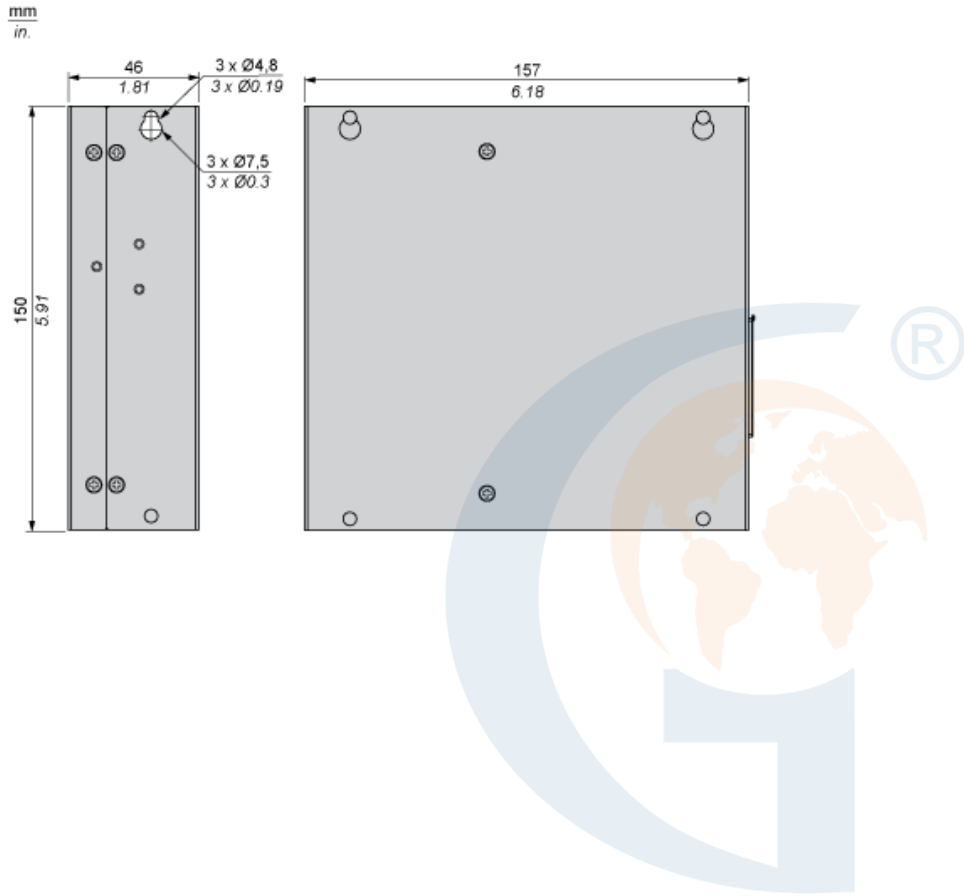
Package 1 Weight	1.100 kg
Package 1 Height	4.200 cm
Package 1 width	15.000 cm
Package 1 Length	18.700 cm

Offer Sustainability

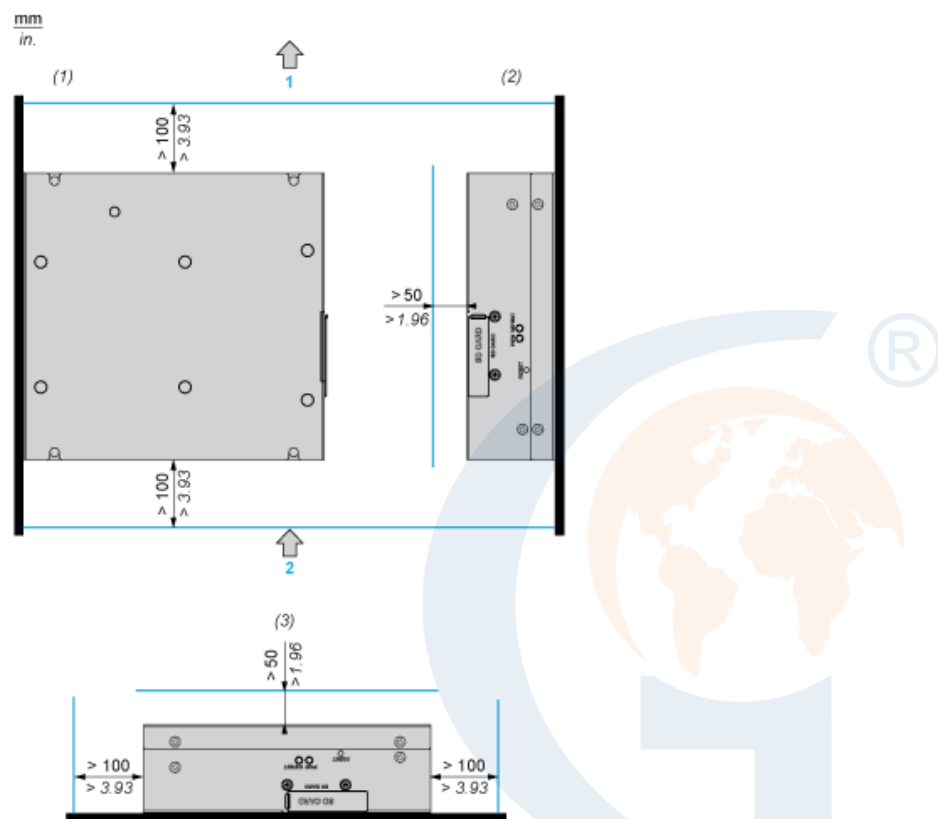
EU RoHS Directive	Pro-active compliance (Product out of EU RoHS legal scope) EU RoHS Declaration
Mercury free	Yes
RoHS exemption information	Yes
China RoHS Regulation	China RoHS declaration
WEEE	The product must be disposed on European Union markets following specific waste collection and never end up in rubbish bins



Dimensions



Spacing Requirements



- 1 : Air out
- 2 : Air in
- (1) Book mounting : Vertical mounting with rear fixing
- (2) Wall mounting : Vertical mounting with side fixing
- (3) Horizontal mounting