

Safety Connection Systems

Bulletin Numbers 888D, 888R, 898D, 898R

Topic	Page
Summary of Changes	1
Safety Wired T-port	2
Safety Wired Distribution Boxes	3
Dual-channel, N.C., No Enunciation	3
Dual-channel, N.C./N.O., No Enunciation	4
Single-channel, N.C. plus Individual N.O. Enunciation	5
8-Pin, Two OSSD Signals Per Port, M23 Main Connector	6
8-Port, Dual-channel, (2 N.C.) plus Individual N.O. Enunciation	8
Safety DC Micro and M12 Cordset	9
Safety Wired Shorting Plug	10
Receptacles, DC Micro	11
Receptacles, AC Micro	12

Summary of Changes

This publication contains updated pinout information in the [8-Pin, Two OSSD Signals Per Port, M23 Main Connector](#) section on [page 6](#).



Safety Wired T-port



Dual-Channel, No Enunciation

Specifications

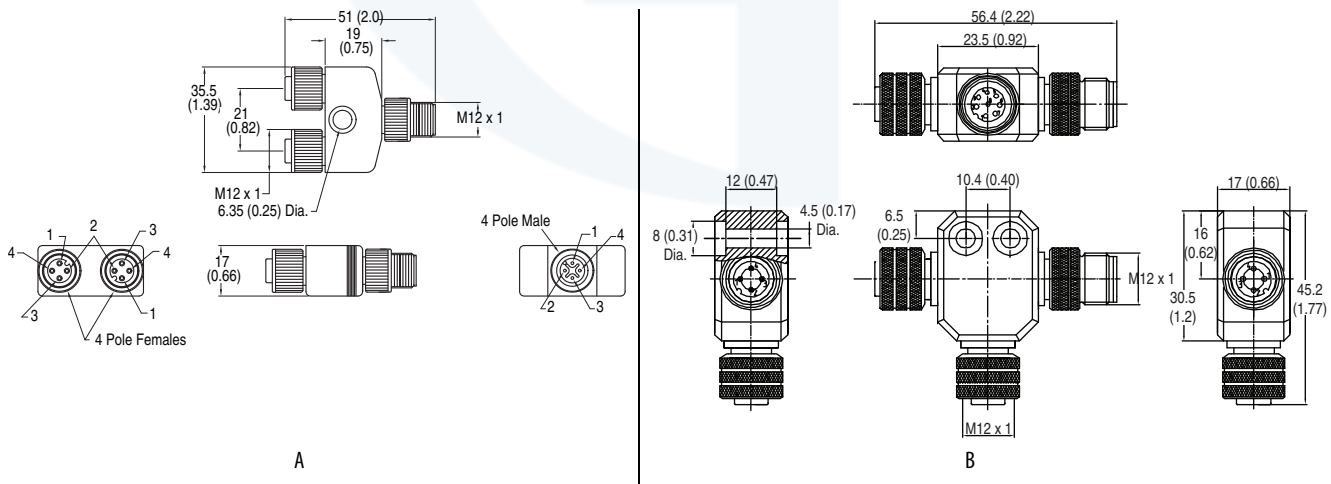
Attribute	Value
Connector Shell Material	Epoxy-coated zinc
Contact Material	Brass, gold over nickel plating
O-ring Material	Fluoroelastomer
Enclosure Type Rating	IP67, NEMA 6P
Operating Temperature	-20...+105 °C (-13...+221 °F)

Product Selection

Face View of Female	Rating	Face View of Male	Configuration	Wiring	Dimensions	Housing Material	Connector Insert Material	Cat. No.
	10...30V DC 3 A		2 N.C.		A	Red PUR	PUR	898D-43LY-D4
			1 N.O. & 1 N.C.		A	Red PUR	PUR	898D-43KY-D4
			For use with SensaGuard™ switches only		B	Black PVC	Polyamide	898D-438Y-D8

Approximate Dimensions

Dimensions are shown in mm (in.). Dimensions are not intended to be used for installation purposes.



Safety Wired Distribution Boxes

Dual-channel, N.C., No Enunciation



Specifications

Attribute	Value
Housing Material	Red PBT
Connector Insert Material	PBT
Connector Shell Material	Nickel-plated brass
Contact Material	Gold-plated palladium/nickel
Cable Outer Diameter	9.8 mm (0.39 in.)
Cable Type	Oil-resistant yellow PVC jacket, 22 AWG conductors
Enclosure Type Rating	IP67
Operating Temperature	-20...+105 °C (-13...+221 °F)

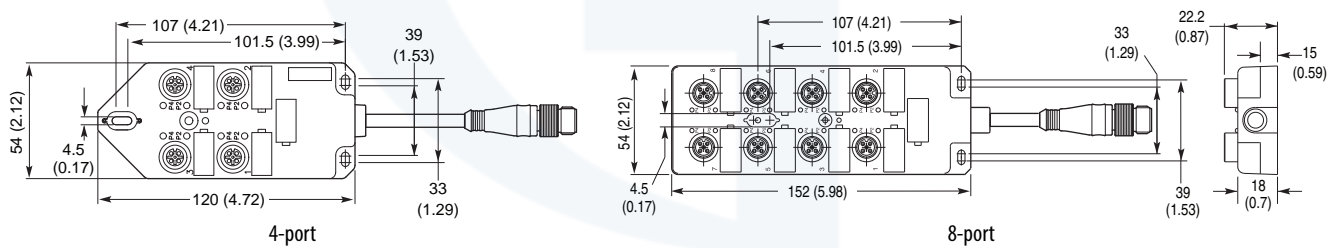
Product Selection

Face View of Female	Ports	Illuminated	Rating	Face View of Male	Cable Length	Cat. No.
	4	No status indicator	10...30V DC		0.2 m (8 in.)	898D-44LT-DM4
	8					8 898D-48LT-DM4
Shorting plug for unused ports						898D-41LU-DM
Patchcord, straight to straight DC Micro						889D-F4ACDM-x ⁽¹⁾

(1) The x represents the length in meters (1, 2, 3, 5, 10 standard).

Approximate Dimensions

Dimensions are shown in mm (in.). Dimensions are not intended to be used for installation purposes.



Wiring Diagrams

