

# Safety Connection Systems

Bulletin Numbers 888D, 888R, 898D, 898R

Topic	Page
Summary of Changes	1
Safety Wired T-port	2
Safety Wired Distribution Boxes	3
Dual-channel, N.C., No Enunciation	3
Dual-channel, N.C./N.O., No Enunciation	4
Single-channel, N.C. plus Individual N.O. Enunciation	5
8-Pin, Two OSSD Signals Per Port, M23 Main Connector	6
8-Port, Dual-channel, (2 N.C.) plus Individual N.O. Enunciation	8
Safety DC Micro and M12 Cordset	9
Safety Wired Shorting Plug	10
Receptacles, DC Micro	11
Receptacles, AC Micro	12

## Summary of Changes

This publication contains updated pinout information in the [8-Pin, Two OSSD Signals Per Port, M23 Main Connector](#) section on [page 6](#).



## Safety Wired T-port



Dual-Channel, No Enunciation

### Specifications

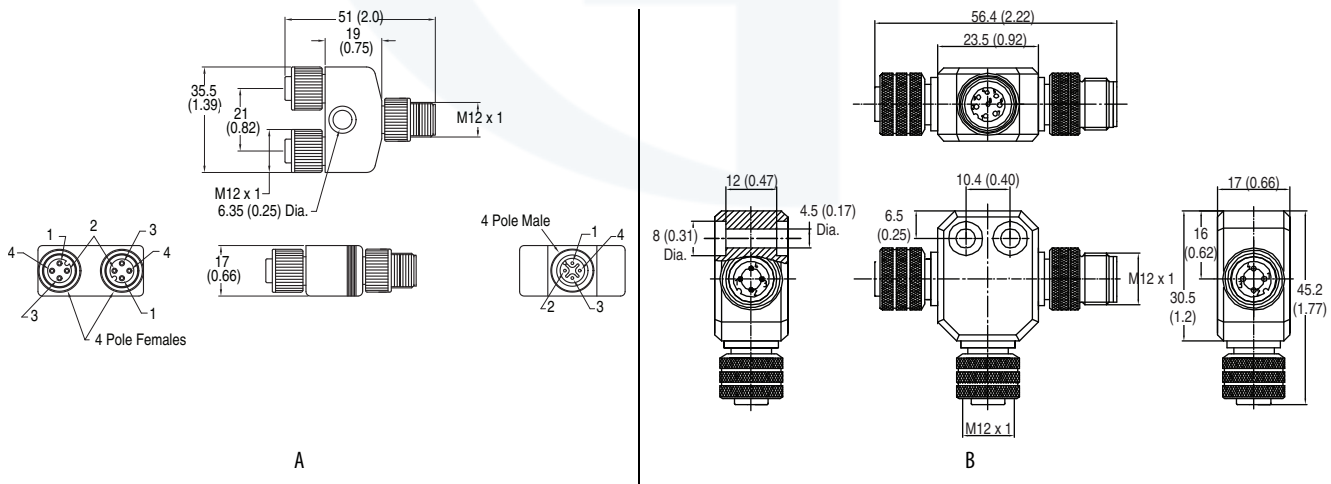
Attribute	Value
Connector Shell Material	Epoxy-coated zinc
Contact Material	Brass, gold over nickel plating
O-ring Material	Fluoroelastomer
Enclosure Type Rating	IP67, NEMA 6P
Operating Temperature	-20...+105 °C (-13...+221 °F)

### Product Selection

Face View of Female	Rating	Face View of Male	Configuration	Wiring	Dimensions	Housing Material	Connector Insert Material	Cat. No.
	10...30V DC 3 A		2 N.C.		A	Red PUR	PUR	898D-43LY-D4
			1 N.O. & 1 N.C.		A	Red PUR	PUR	898D-43KY-D4
			For use with SensaGuard™ switches only		B	Black PVC	Polyamide	898D-438Y-D8

### Approximate Dimensions

Dimensions are shown in mm (in.). Dimensions are not intended to be used for installation purposes.



## Safety Wired Distribution Boxes

### Dual-channel, N.C., No Enunciation



#### Specifications

Attribute	Value
Housing Material	Red PBT
Connector Insert Material	PBT
Connector Shell Material	Nickel-plated brass
Contact Material	Gold-plated palladium/nickel
Cable Outer Diameter	9.8 mm (0.39 in.)
Cable Type	Oil-resistant yellow PVC jacket, 22 AWG conductors
Enclosure Type Rating	IP67
Operating Temperature	-20...+105 °C (-13...+221 °F)

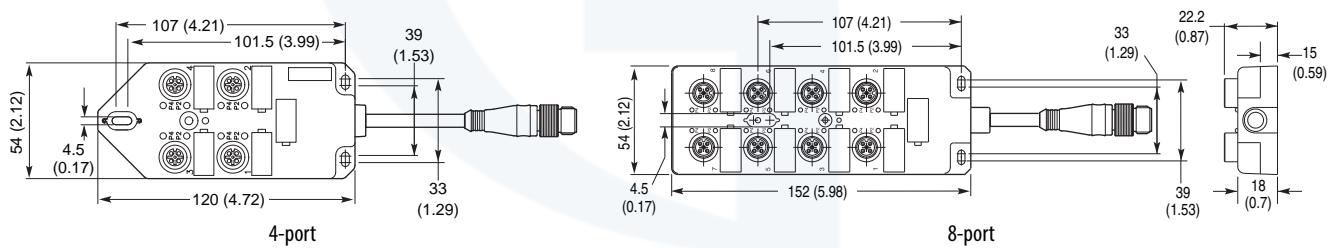
#### Product Selection

Face View of Female	Ports	Illuminated	Rating	Face View of Male	Cable Length	Cat. No.
	4	No status indicator	10...30V DC		0.2 m (8 in.)	898D-44LT-DM4
	8					8 898D-48LT-DM4
Shorting plug for unused ports						898D-41LU-DM
Patchcord, straight to straight DC Micro						889D-F4ACDM-x <sup>(1)</sup>

(1) The x represents the length in meters (1, 2, 3, 5, 10 standard).

#### Approximate Dimensions

Dimensions are shown in mm (in.). Dimensions are not intended to be used for installation purposes.



#### Wiring Diagrams

