

# NEMA Manual Starting Switch Specifications

Bulletin Numbers 600, 609, 609U

Topic	Page
Product Overview and Specifications	2
600 Approximate Dimensions	3
609, 609U Approximate Dimensions	4...5

## Additional Resources

These documents contain additional information concerning related products from Rockwell Automation.

Resource	Description
Industrial Automation Wiring and Grounding Guidelines, publication <a href="#">1770-4.1</a>	Provides general guidelines for installing a Rockwell Automation industrial system.
Product Certifications website, <a href="http://www.ab.com">http://www.ab.com</a>	Provides declarations of conformity, certificates, and other certification details.

You can view or download publications at <http://www.rockwellautomation.com/literature/>. To order paper copies of technical documentation, contact your local Allen-Bradley distributor or Rockwell Automation sales representative.



Manual Motor Starters

Bulletin	600	609	609U
<b>Features</b>	<ul style="list-style-type: none"> <li>Single-phase switch</li> <li>Used on compressors, fans, pumps, and table saws</li> </ul>	<ul style="list-style-type: none"> <li>Single- and three-phase switches</li> <li>Contact position indicator</li> <li>Locking feature</li> <li>Reversing and 2-speed</li> </ul>	<ul style="list-style-type: none"> <li>Single- and three-phase switches</li> <li>Contact position indicator</li> <li>Locking feature</li> <li>Undervoltage protection</li> </ul>
<b>Type of Operator</b> <b>1-Phase Motor Voltage</b> Push Button/ Toggle Lever/ Key	<b>Single Pole:</b> 115...230V AC (1 Hp) <b>Two Pole:</b> 115...230V AC (1 Hp)	115...230V AC, 60 Hz (1...5 Hp)	115...230V AC, 60 Hz (1...5 Hp)
<b>Type of Operator</b> <b>3-Phase Motor Voltage</b> Push Button / Toggle Lever	—	115...230V AC, 60 Hz (3...10 Hp)	115...230V AC, 60 Hz (3...10 Hp)
<b>Enclosures NEMA Type</b>	1, 4, 7 & 9	1, 3R, 4/4X, 7 & 9, and 12	1, 3R, 4/4X, 7 & 9, and 12

Group Fusing

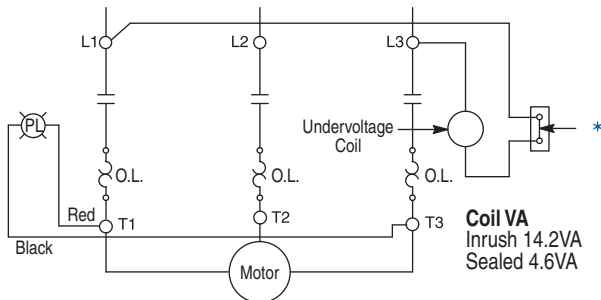
The Bulletin 609 sizes 0 and 1 in Type 1, 4X, and 12 enclosures are UL Listed for group fusing with Class J fuses only. See table below for maximum fuse ratings.

The Bulletin 609U and 609TU Sizes 0 and 1 in Type 1, 4/4X, and 3R/12 enclosures are UL Listed for group fusing with Class J fuses only. See table below for maximum fuse ratings.

Full Load Current of Smallest Motor Amperes [A]	Maximum Fuse Ratings [A]	
	Nominal System Voltages	
	120...240V	480...600V
0.45...2.99	30	30
3.00...6.49	60	30
6.50...18.0	100	—

609U and 609TU Typical Wiring Diagram

(See Applicable Codes and Laws)



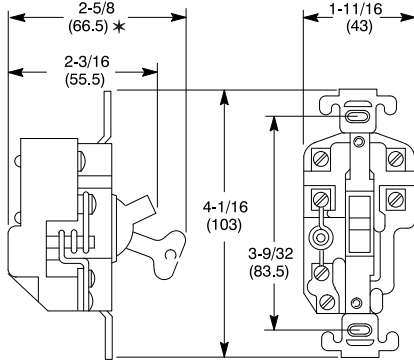
★ Remove Jumper "A" to connect remote stop operator wires to vacated terminals.  
 Note: Jumper not available on devices in Type 7 and 9 Enclosure.

## Approximate Dimensions

## 600 Single-Phase Manual Starting Switch

Dimensions are shown in inches (millimeters). Dimensions are not intended to be used for manufacturing purposes.

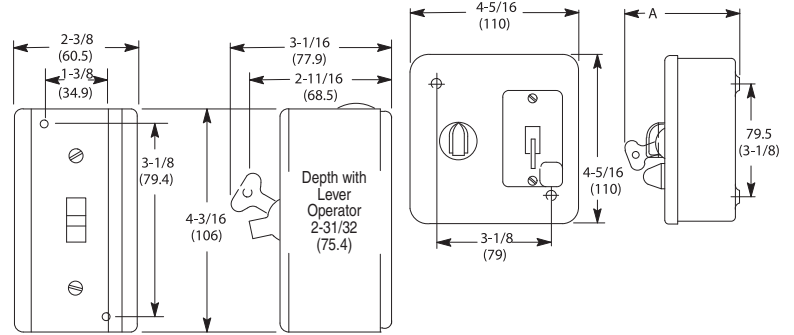
### Open Type without Enclosure



Cat. Nos.

600- TOX4    600- TOX109    600- TOX216  
 TOX5        TOX110  
 TOX49       TOX149

### Type 1 General Purpose Enclosure Surface Mounting



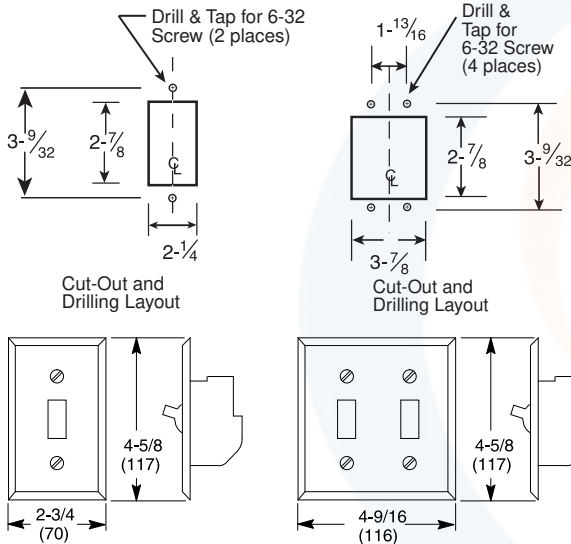
Cat. Nos.

600- TAX4    600- TAX49    600- TAX142  
 TAX5        TAX109        TAX145  
 TAX9        TAX110        TAX149  
 TAX10       TAX142        TAX216

Dimension A in inches (millimeters)

Key Inserted	1-1/8 (79.5)
Selector Switch	2-3/4 (70)
Toggle Operator	2-9/16 (65)

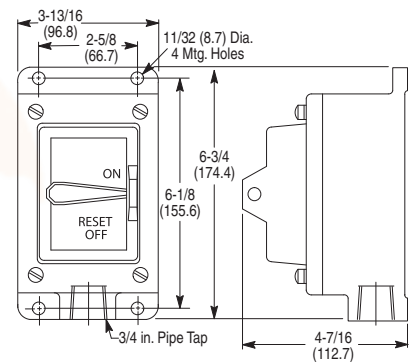
### Type 1 General Purpose Enclosure Flush Mounting



Cat. Nos.

600- TQX4    600- TQX49  
 TQX5        TQX109  
 TQX9        TQX110  
 600- TQX142  
 TQX144  
 TQX216

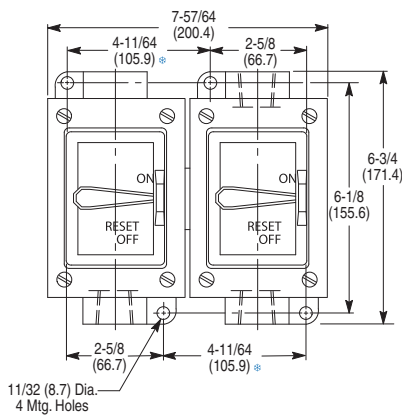
### Type 4 Watertight Enclosure; Type 7 and 9 Hazardous Locations Enclosure



Cat. Nos.

600- TCX5    600- TEX5

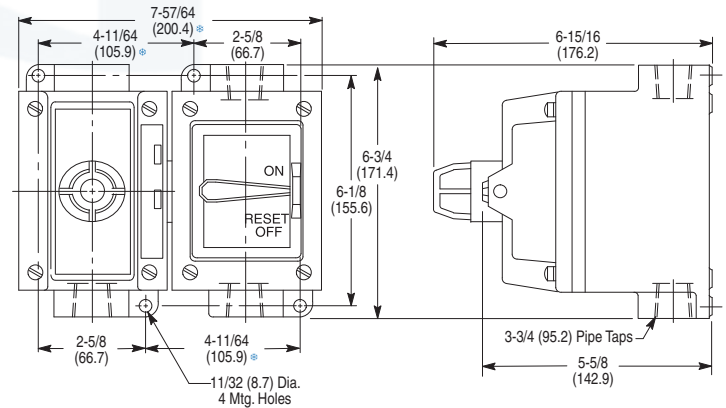
### Type 4 Watertight Enclosure, Type 7 & 9



Cat. Nos.

600- TCX9    600- TEX9  
 TCX142     TEX10

### Type 7 & 9 Hazardous Locations Enclosure



Cat. Nos.

600- TCA7    600- TEA7  
 TCD75       TED7

\* Lever Type Dimension is 2-17/32 in. (64.5 mm).

\* This dimension may vary up to ±1/8 in. (3.2 mm). Mounting holes should be located at time of installation using device as a template.